

Electric Locking: [door & exit control]

Cisa
Electric Gate Locks

A4

GATE LOCKING

Cisa Electric Gate Locks

Electric Gate Lock With Release Button
Electric Gate Lock Without Release Button

Page

38

39



1A731-00

1A731-00 Electric Gate Lock With Release Button

A NEW CONCEPT OF SECURITY

- Innovative locking system, with a "rotary hook deadbolt"
- Pull resistance of up to 2000 kg; **A**
- Excellent vibration resistance and impact strength (patented system);
- Protective steel case totally enclosing the lock and the striker.

A REVOLUTIONARY DESIGN

- Elettrika perfectly matches any type gate shape and style.
- The new (patented) design characterised by simple and round lines, represents a true resource for designers.

MAXIMUM VERSATILITY

- Elettrika is non handed (patented system), and with a variable backset from 50 to 80 mm (patented system); **B**
- Elettrika is fitted with a new type of self-adjusting "swinging rod" striker, active both vertically and horizontally (patented system); **C**
- The rotary hook deadbolt of Elettrika can be operated in two different modes (patented system):
 - Automatic opening: the door is set open by the deadbolt rotation;
 - Ready to open: the deadbolt is withdrawn but the door remains in closing position;
- Elettrika is interchangeable with all the types of lock available in the market.

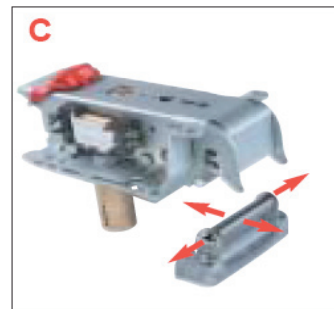
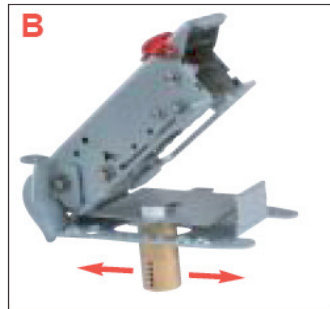
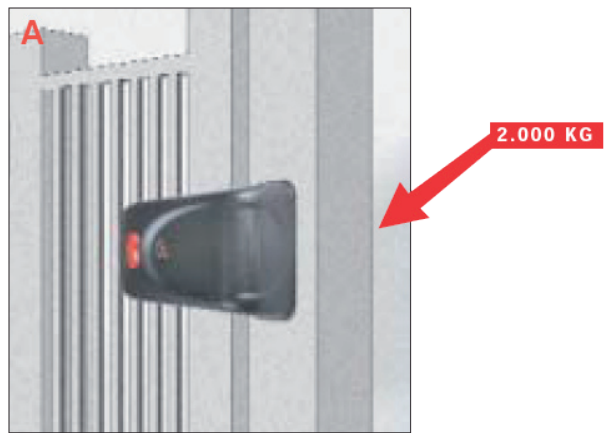
ERGONOMICS

- The innovative reloading system ensures silent opening and closing operation
- The gate rebound effect is reduced;
- The hold open device (when selected) allows to block the lock in its open position.

- Power supply: 12 V AC
- Operate inside with a push-button or a key plus electric remote control
- Operate from outside with a key
- Zinc coated internal components
- Metal striker with stainless steel "swinging rod"
- Protective steel casing
- Non Handed

Supplied with:

- Striker
- Single or double cylinder
- Fixing screws
- Fixing plates (if fitted)
- 2 spacers for the striker
- Instruction sheet
- 3 keys item



\$ 1A731-00

CISA SURFACE MOUNT ELECTRIC GATE LOCK WITH RELEASE BUTTON

EX GST

INC GST



1A721-00 Electric Gate Lock NO Release Button

A NEW CONCEPT OF SECURITY

- Innovative locking system, with a "rotary hook deadbolt"
- Pull resistance of up to 2000 kg **A** ([previous page](#))
- Excellent vibration resistance and impact strength (patented system)
- Protective steel case totally enclosing the lock and the striker.

A REVOLUTIONARY DESIGN

- Elettrika perfectly matches any type of gate shape and style
- The new (patented) design characterised by simple and round lines, represents a true resource for designers.

MAXIMUM VERSATILITY

- Elettrika is non handed (patented system), and with a variable backset from 50 to 80 mm (patented system) **B** ([previous page](#))
- Elettrika is fitted with a new type of self-adjusting "swinging rod" striker, active both vertically and horizontally (patented system) **C** ([previous page](#))
- The rotary hook deadbolt of Elettrika can be operated in two different modes (patented system):
 - Automatic opening: the door is set open by the deadbolt rotation
 - Ready to open: the deadbolt is withdrawn but the door remains in closing position
- Elettrika is interchangeable with all the types of lock available in the market

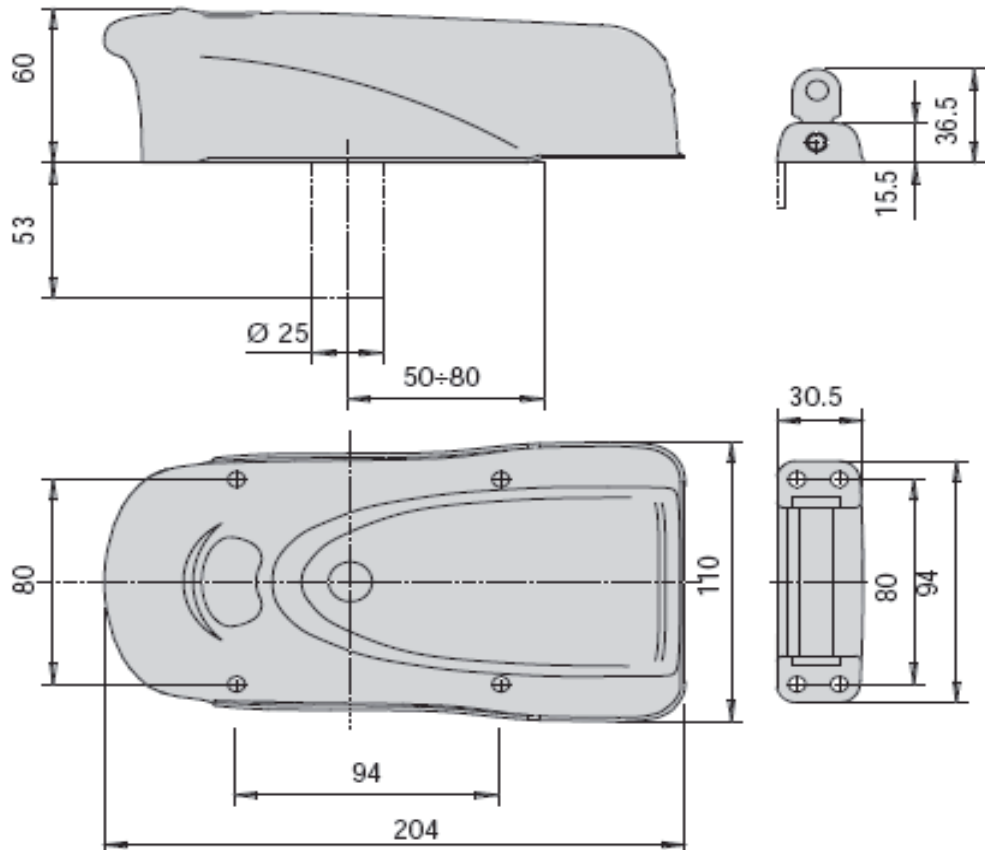
ERGONOMICS

- The innovative reloading system ensures silent opening and closing operation
- The gate rebound effect is reduced
- The hold open device (when selected) allows to block the lock in its open position

- Power supply: 12 V AC
- Operate inside with key plus electric remote control
- Operate from outside with a key
- Zinc coated internal components
- Metal striker with stainless steel "swinging rod"
- Protective steel casing
- Non Handed

Supplied with:

- Striker
- Single or double cylinder
- Fixing screws
- Fixing plates (if fitted)
- 2 spacers for the striker
- Instruction sheet
- 3 keys item



€ 1A721-00

CISA SURFACE MOUNT ELECTRIC GATE LOCK WITH NO RELEASE BUTTON

EX GST

INC GST