

**Product Guide****C 0703** Surface Mount 100mm (4") 100V 5W Twin Cone Ceiling Speaker White**C 0704** Surface Mount 100mm (4") 100V 5W Twin Cone Ceiling Speaker Black

# 100mm (4") One Shot® Surface Mount EWIS Ceiling Speakers

- ✓ Excellent speech intelligibility
- ✓ High quality speaker driver developed for BGM, paging and emergency warning applications
- ✓ Patented 2 way latching system reduces installation time.
- ✓ Fitted with 4 way wire protect terminal block for loop in, loop out wiring as required by Australian Standards.
- ✓ Fitted with supervisory capacitor for line monitoring.
- ✓ High impact enclosure & grille.
- ✓ 5 year warranty.

**Application**

C 0703 and C 0704 are PA speakers designed for EWIS (fire & evacuation) installations. They are moulded from industrial grade, talc-filled polypropylene and designed to mount directly to the underside of concrete slabs or inaccessible ceilings. The housing utilises the One-Shot® mounting system for reduced installation time. They are ideal for use in plant rooms, warehouses, shopping centres, malls etc.

**Emergency Warning & Intercommunications Systems (EWIS)**

This speaker and transformer combination is designed for both paging announcements and emergency tones in EWIS systems. Speakers employed in an EWIS installation must comply to AS1670.4. This dictates that the speakers must be fitted with transformer safety cover, line monitoring capacitor and 4 way wire protect terminal connection.

These Redback EWIS speakers comply to this standard.

**About Redback® Speaker Drivers**

Each custom designed speaker and transformer combination has been specifically engineered to ensure a wide frequency range and dispersion angle, plus a high sound pressure level (SPL) ensuring excellent music and speech intelligibility; which is critical for emergency paging applications.

Each transformer is fitted with multiple power settings which are user selectable via taps on the transformer. For reference, the transformer safety cover is imprinted with power selection information.

**Manufacturing & Performance**

Redback® drivers are engineered and manufactured to stringent specifications ensuring maximum reliability under all operating conditions. Each driver has a power rating well above the max tapping of the transformer, ensuring reliable operation and excellent longevity. A strict quality control procedure is employed during every step of the manufacturing process. Finally, every finished speaker is 100% QC checked prior to shipping.

**The Labour Saving One-Shot® Mounting System**

Redback® "One-Shot®" speaker units install in seconds providing substantial labour cost savings for the professional installer compared to traditional mounting methods.

They simply snap fit to the outer mounting ring by means of the integral pressure clips. The snap clip material is formulated to retain long service life strength and spring action, ensuring a firm vibration free fit.

Speaker cable entry can be either from the rear, or via surface mounted conduit (four 19mm conduit knockouts are provided).

The neutral white RAL colour of C 0703 provides an architecturally unobtrusive finish to virtually any installation. C 0704 is fitted with a black grille for use on ceilings with a dark colour.

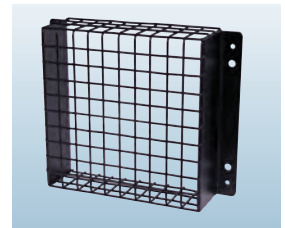
The transformer is fitted with a 4 way wire protect screw terminal block. This is suitable for loop in, loop out cabling.

**Optional Conduit Mounting Plate**

The C 0699 adaptor plate enables the C 0703 and C 0704 mounting rings to be fixed to a standard recessed conduit junction box without the need for drilling into the concrete slab, saving considerable installation time & hardware.

**Optional Surface Mount Security Cage**

The C 0706 galvanised mesh enclosure has been designed to protect the C 0703 and C 0704 speakers from physical damage or theft. The robust design makes it ideal for use in schoolyards, undercrofts etc where speakers could be hit by errant basketballs.

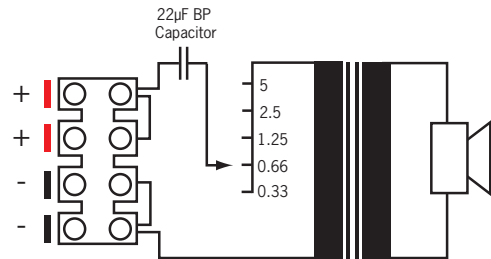
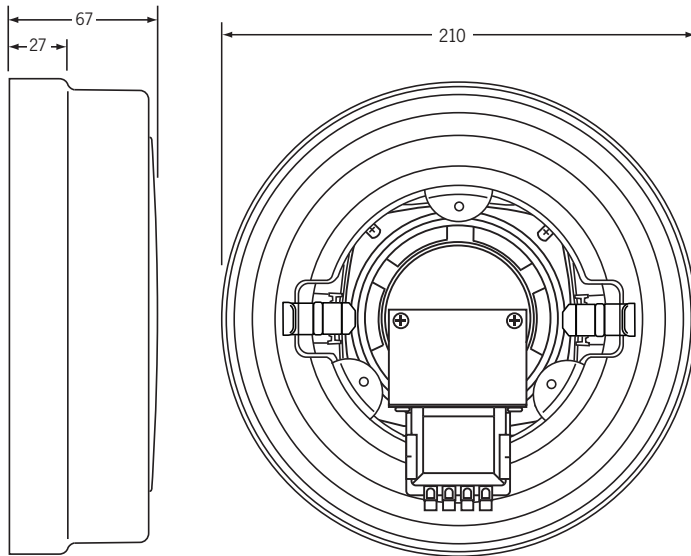


## Product Guide

**C 0703** Surface Mount 100mm (4") 100V 5W Twin Cone Ceiling Speaker White  
**C 0704** Surface Mount 100mm (4") 100V 5W Twin Cone Ceiling Speaker Black



### Dimensions & Transformer Detail



Power tap shown selected to factory default setting.

### Specifications

#### Electrical

Power taps: 0.33, 0.66, 1.25, 2.5, 5W  
 SPL 1W @ 1m: 91dB @ 1kHz (+/- 2dB)  
 Frequency response: 100Hz-15kHz  
 Connection: 4 way terminal block + 22µF bipolar capacitor

#### Mechanical

Enclosure material: Talc filled polypropelene  
 Driver construction: Paper twin cone  
 Enclosure diameter: 210mmØ  
 Depth: 67mm  
 Overall weight: 900g  
 C 0703 Colour: White  
 C 0704 Colour: Black

#### Environmental

Operating temperature: -25°C to +55°C  
 Relative humidity: < 95%

#### Additional Installation Accessories

**C 0699** Conduit mounting plate

### Architect Specifications

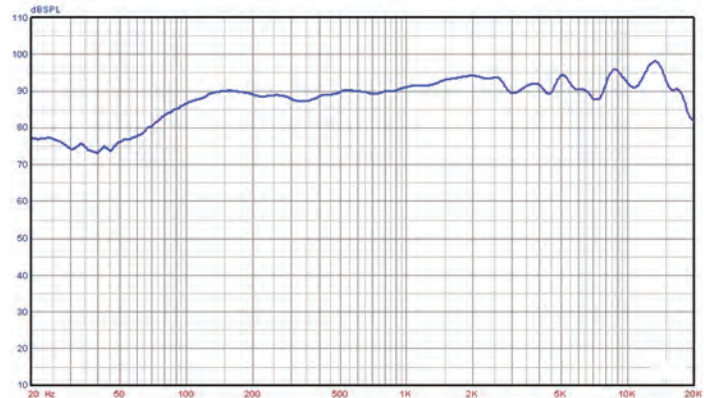
#### C 0703

The surface mount speaker shall have a 100mm speaker driver which shall operate at 100V and have power taps of 5W, 2.5W, 1.25W, 0.66W and 0.33W. It shall have a 4 way wire protected terminal strip and be fitted with a 22µf bipolar capacitor for line monitoring. It shall have a SPL of 91dB (1W @ 1m). The speaker body shall be made of white talc filled polypropylene and shall be surface mounted with concealed fixings. The surface mounting ring shall be provided with side and rear knockouts for conduit entry. The speaker driver shall be attached to the grill which shall be snap-fit attached to the surface mount ring. The ceiling mount speaker shall be a Redback model C 0703.

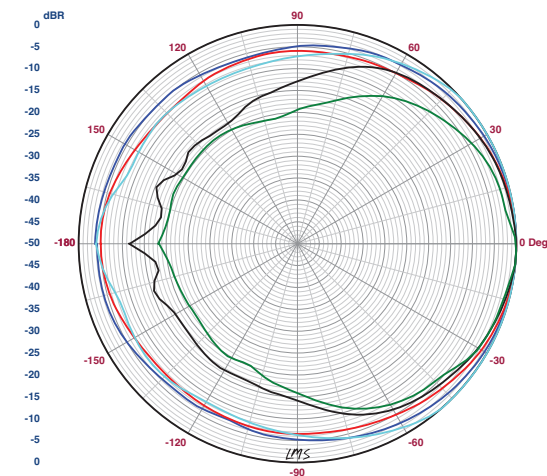
#### C 0704

The surface mount speaker shall have a 100mm speaker driver which shall operate at 100V and have power taps of 5W, 2.5W, 1.25W, 0.66W and 0.33W. It shall have a 4 way wire protected terminal strip and be fitted with a 22µf bipolar capacitor for line monitoring. It shall have a SPL of 91dB (1W @ 1m). The speaker body shall be made of black talc filled polypropylene and shall be surface mounted with concealed fixings. The surface mounting ring shall be provided with side and rear knockouts for conduit entry. The speaker driver shall be attached to the grill which shall be snap-fit attached to the surface mount ring. The ceiling mount speaker shall be a Redback model C 0704.

### Frequency Response (SPL 1W @ 1m)



### Polar Plot (Ratio vs Angle)



	500Hz	1kHz	2kHz	4kHz	6kHz
SPL 1W @ 1m (dB)	89.7	91	94	91.5	92.5
Beam Width (BW)	280	167	164	120	80
Q-Factor	1.3	2.2	2.2	3.0	4.5
Directivity Index (DI)	1.1	3.3	3.4	4.9	6.5