

## TECHNICAL DETAILS

### CONSTRUCTION

Housing	Steel
Flexible tube	Steel

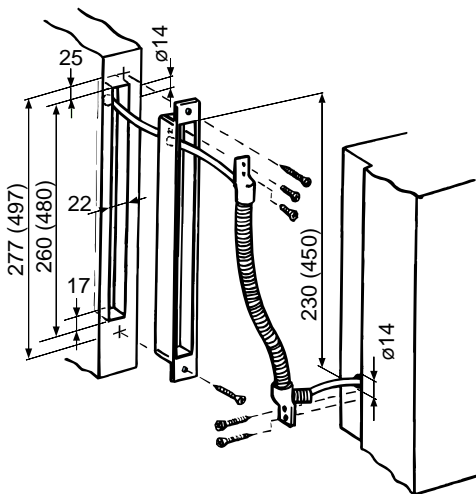
### FINISHES

Chrome plated

## LEAD COVERS ABLOY® 8810, 8811 FOR POWER TRANSFER



### DIMENSIONS OF 8810 (8811)



### APPLICATION

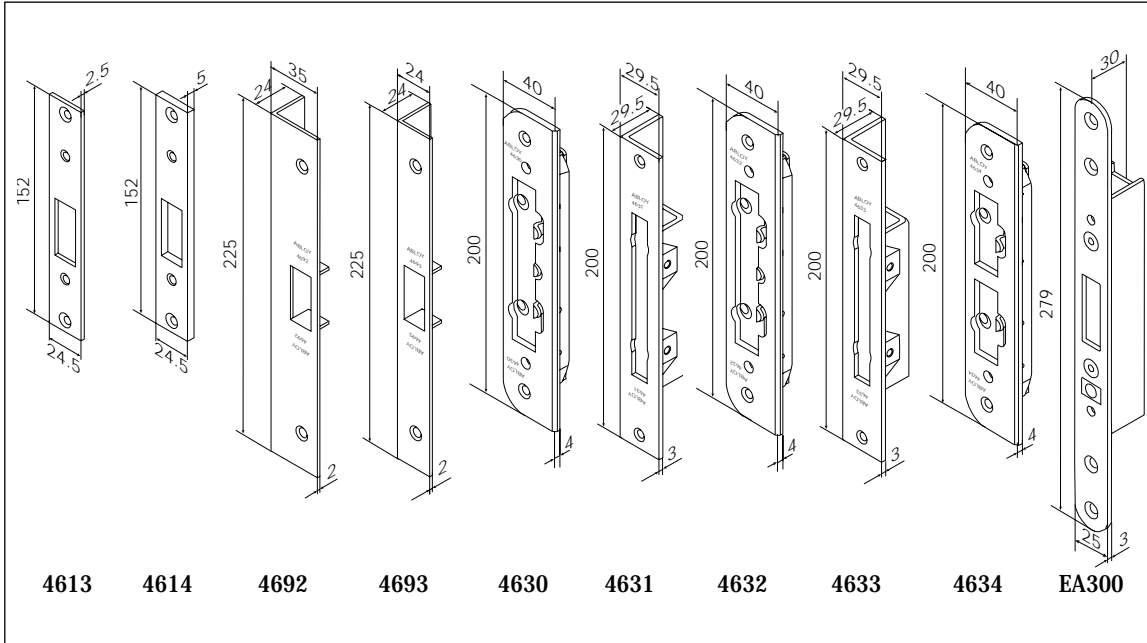
The ABLOY lead cover is designed to ensure the unbroken transfer of cable between door and frame.

The maximum diameter of a wire bundle transferable through the lead cover is 7.5 mm. The cable used should consist of several threads for increased bending strength. If the opening angle of door is more than 120° or the distance between pin hinge and door frame is more than 20 mm, lead cover 8811 must be used.

### DRILLING AND FITTING

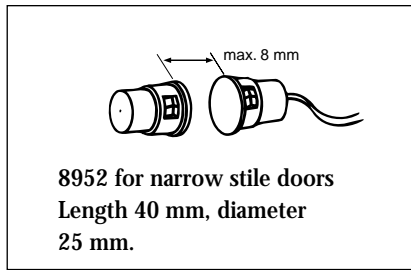
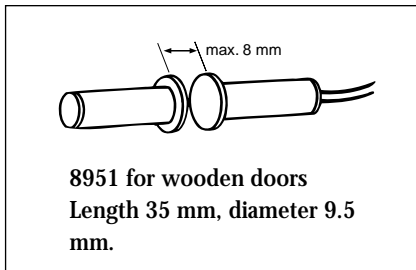
The lead cover is fitted in the upper part of the door. Before fitting, cable must be passed through the flexible tube and the channel drilled through the door. Holes for the cable must be wide enough to allow some space for the wires to move. An extra long drill bit for drilling the channel through the door can be obtained from the manufacturer.

# STRIKER PLATES



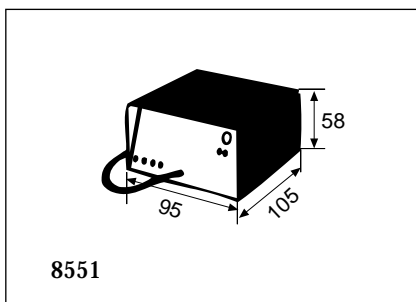
# DOOR CONTACTS

Door contacts are used to indicate the position of door and are installed on door frame and door. Max current 0.5 A, max voltage 100 VDC, 100 VAC, max power 7.5 W (to resistive load).



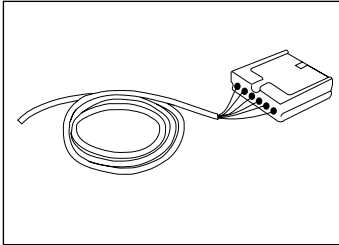
# POWER UNIT

ABLOY 8551, 12-24 VDC, 0.5 A power unit. Suitable for small systems.



## CONNECTION CABLES 8850, 8851, 8853, 8855

Multicore cable is used for connecting electric lock to connection unit. The length of cable is approx. 6 meters.

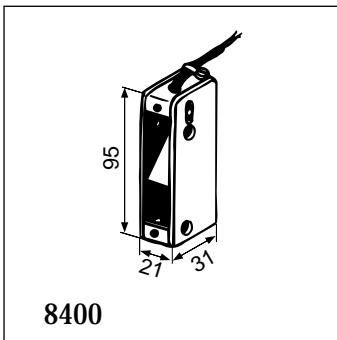


Cable	Ø	No. of wires	For locks
8850	4.6 mm	6	8180, 8181, 8380, 8381, 8910
8851	6.2 mm	12	8904, 8329
8853	6.2 mm	12	8154, 8350
8855	4.6 mm	6	8164, EL650

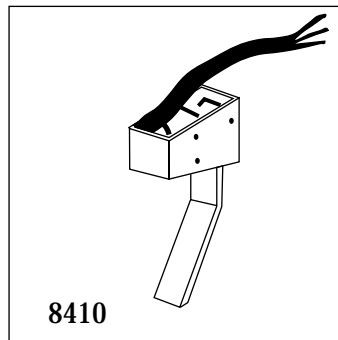
## MICROSWITCH KEEPS 8400, 8410

Microswitch keep 8400 has been designed for use with striker plates 4613, 4614, 4655, 4692 and 4693 only. Keep contains a microswitch to indicate the position of bolt inside the keep.

Microswitch 8410 has been designed for use with striker plates 4630 and 4631 only. Keep contains a microswitch to indicate the position of bolt inside the keep.



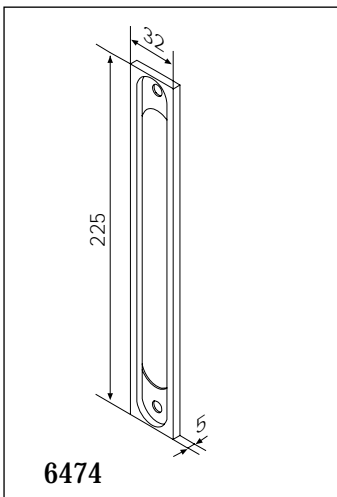
8400



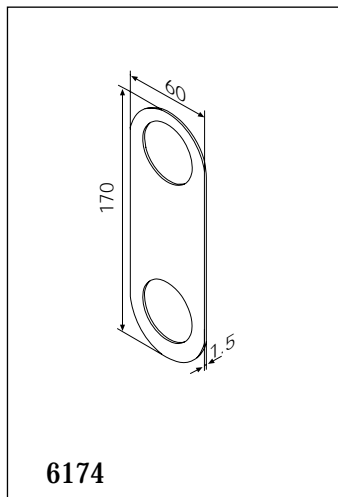
8410

## COVER PLATES 6474, 6174

Cover plates 6474 and 6174 are used to cover previous mortises when fitting lock cases 8154, 8180, 8181 and 8164.



6474



6174