

WSD01 Shock Detector

Features:

- Wide range of sensitivity selection – dual stage and linear sensitivity adjustment.
- Pulse counting selection – one or two pulses.
- Non latching (momentary) and latching option.
- Dual LEDs indicating power and alarm.
- Alarm relay output; NC fail safe operation.
- Built-in tamper switch.
- Moisture repelling rubber grommet is included.
- Easy and fast installation



LED Indication:

- Green = Power (optional)
- Red = Alarm

SPECIFICATIONS	WSD01
Power	9-16VDC
Current	Quiescent 15mA; Alarm 18mA
Operating Temperature	-10° to +55°
Relay Rating	150mA 24V; 10 Ohm in series
LED Indication	Red = Alarm; Green = Power
Pulse Counting	One or two
Dimensions	21 x 26 x 87mm

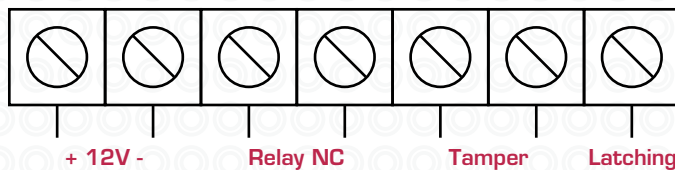
WSD01 Shock Sensor

Installation Instructions

Installation and Testing:

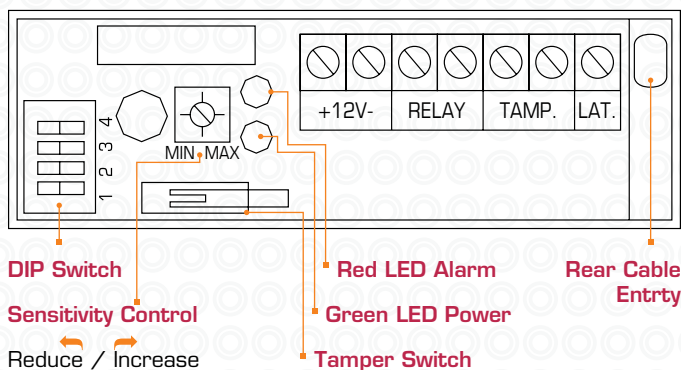
1. Make sure the mounting surface is clean and flat.
2. Remove the cover of the detector by removing the single screw.
3. Carefully lift the printed circuit board from the base.
4. If rear cable entry is required, cables should be threaded through the rear of the base. If side cable entry is being used, remove the knockout from the cover, and replace it with the rubber grommet provided.
5. Fix the base in position using the screws provided. Ensure the base is in complete contact with the mounting surface.
6. Carefully push the printed circuit board onto the base.
7. Make the electrical connections to WSD01.
8. Power the unit (the green LED should illuminate) and go to Testing.
 - a) Select DIP Switch Setting
 - b) Band or tap the protected area, observing red LED response.
 - c) Adjust sensitivity.
 - d) Repeat the process until it only responds to the desired impact.
9. Replace the cover of the detector; the cover shall press firmly on the PCB and prevent it from moving.

Terminal Connections:



12V Power	Reverse polarity protected
Relay Output	N.C. opens when alarm occurs
Tammer Switch	N.C. opens when cover is removed
Latching	+12V applied as remote latching control

Mode of Operation:



Non-Latching	Latching terminal unconnected. Upon alarm activation, the relay will open circuit and red LED will illuminate momentarily for a minimum time of 1 second before automatically resetting.
Latching	The LED can either be inhibited by the interruption of the power or by +12V applied to latching terminal. The latter requires latching terminal to be connected.

Note: In all modes the relay contacts are always NOT latched.

DIP Switch Setting and Detection Coverage:

	1 Sensitivity	2 Pulse Count	3 Latching	4 Power LED
On	High	One	Non	On
Off	Low	Two	Latching	Off

Surface	Brick	Steel	Wood	Concrete
Radius	2.5	3.0	3.5	1.5
Surface	Plywood	Gyproc	Glass	
Radius, m	4.0	2.5	3.5	

Note: the above values are subject to testing which must be made for each installation.