

2012J Photoelectric Smoke-alarm (with Steady Tone Sounder)



Models Available

2012J
Photoelectric Smoke-alarm
with Steady Tone Sounder

Description

Smoke-alarms are designed to provide early warning of developing fires at a reasonable cost. They monitor the air and can sense smoke, providing precious minutes for you and your family to escape before a fire spreads. Early warning fire detection is best achieved by the installation of fire detection equipment in all rooms and areas of the household.

Model 2012J is a photoelectric smoke-alarm designed for open area protection in a residential building. It has a built-in relay which may be used to activate auxiliary devices such as bells, horns, and door closers.

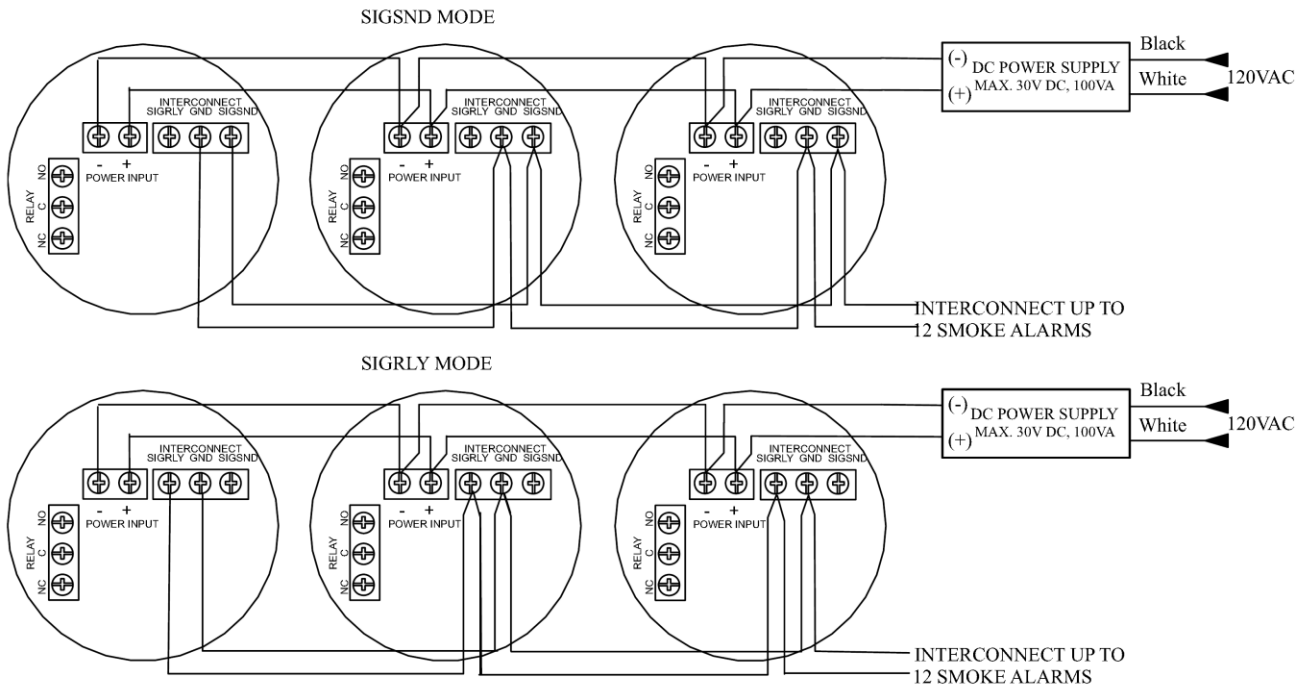
Specifications

Supply Voltage Range:	10VDC~30VDC
Max. Standby Current:	60 μ A
Max. Alarm Current:	65mA
P-Horn Sound Output Level:	85dBA at 3m
Max. Interconnected Units:	24
Silence Timeout Period:	8 minutes
Silence Mode Indication:	Sounder Beeps and LED Flashes Green once every 40 secs.
Height:	55mm
Diameter:	135mm
Weight:	180g
Operating Temperature Range:	0°C to 50°C
Humidity:	5% to 93% R.H.

Agency Listing



Wiring Diagram



Maximum power bus length in meters, given number of units (maximum per bus) and wire size (mm²).
Supply Voltage = 12VDC

WIRE SIZE (mm ²)	1 Unit	2 Units	3 Units	4 Units	5 Units	6 Units	7 Units	8 Units	9 Units	10 Units	11 Units	12 Units
1.5	3302	1652	1101	826	660	551	471	413	366	331	301	275
1	1633	817	544	408	327	273	233	206	182	163	149	135
0.75	819	411	273	205	163	138	117	103	91	82	75	68
WIRE SIZE (mm ²)	13 Units	14 Units	15 Units	16 Units	17 Units	18 Units	19 Units	20 Units	21 Units	22 Units	23 Units	24 Units
1.5	254	236	220	206	194	183	174	165	157	150	144	138
1	126	117	109	102	96	91	86	82	78	74	71	68
0.75	63	59	55	51	48	46	43	41	39	37	36	34

For 24VDC Supply voltage, The maximum power bus Length is 4 Times as Long as 12VDC Supply voltage.
Maximum interconnect bus length: 2000 meters, 0.75mm² or larger cable.
All wiring must conform to local electrical codes.

Ordering Information

Model	Description	UOM
2012J	Photoelectric Smoke alarm with Steady Tone Sounder	EA



System Sensor Headquarters
3825 Ohio Avenue
St. Charles, IL 60174
Ph: 630-377-6580
Fx: 630-377-6495
Free Phone: 800-736-7672
Web: www.systemsensor.com

System Sensor China
28 Tuan Jie South Road,
Hi-Tech Development Zone
Xi'an, 710075, China
Ph: +86 29 85387800
Fx: +86 29 88895930
Web: www.systemsensor.com.cn

System Sensor Canada
Ph: 905-812-0767
Fx: 905-812-0771

System Sensor Europe
Ph: 44 (0) 1527 406700
Fx: 44 (0) 1527 406699

System Sensor Italy
Ph: 39 040 949 0111
Fx: 39 040 382 137

System Sensor Mexico
Ph: 54 11 4324-1909
Fx: 54 11 4324-5999

System Sensor Far East Ltd
Ph: 852 21919003
Fx: 852 27366580

System Sensor Singapore
Ph: 65 6273 2230

System Sensor India
Ph: 91 124 2371770-270
Fx: 91 124 2373118

System Sensor Australia
Ph: 61-3-5428 1142
Fx: 61-3-5428 1172