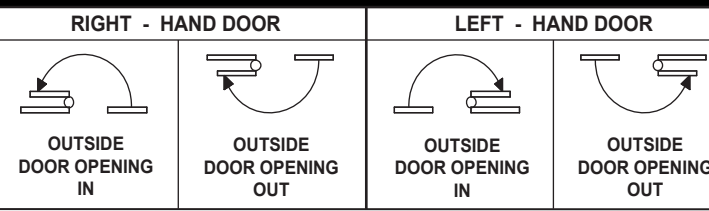




3570 SERIES ELECTRIC MORTICE LOCK MOUNTING INSTRUCTIONS

P/No. 3570-5721 30621 0506

HAND OF DOOR ACCORDING TO ENGLISH PRACTICE

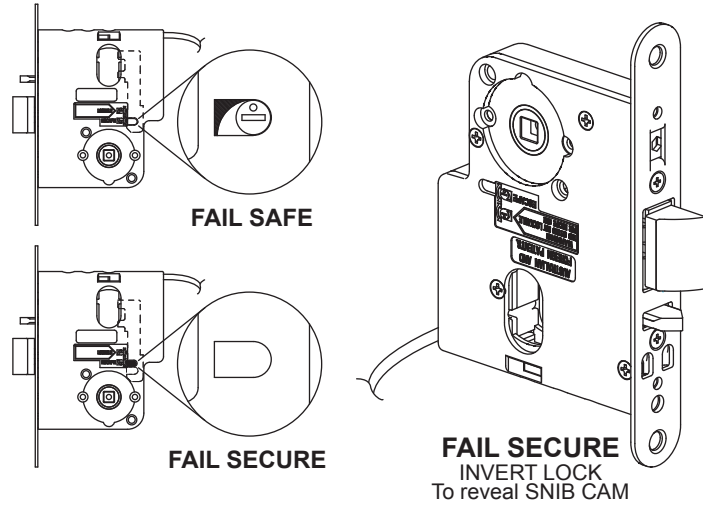


1 HAND OF LOCK

- BOLT**
- Determine hand of lock required from above hand of door chart.
 - Rotate bolt head to suit latching direction.

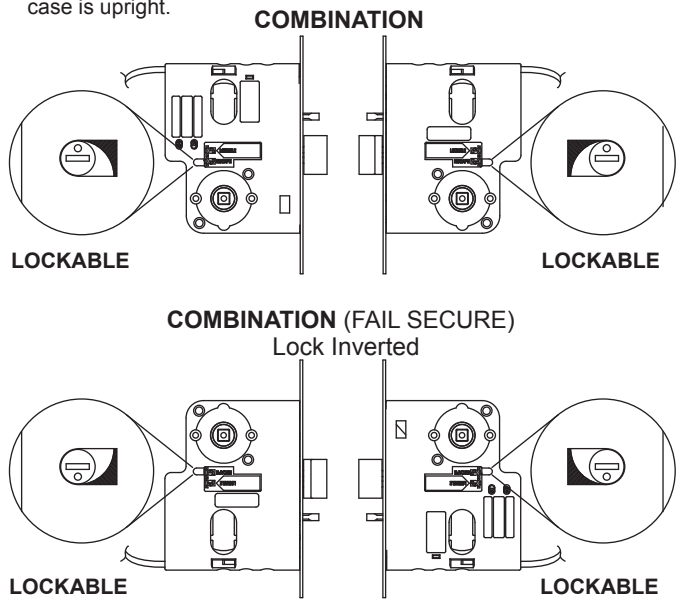
2 LOCK STATUS

- Ensure Snib Cam is exposed.
- FAIL SAFE locks (Snib Cam is exposed). For FAIL SECURE locks invert the lock so the Snib Cam screw is exposed.



3 SETTING LOCK HANDING

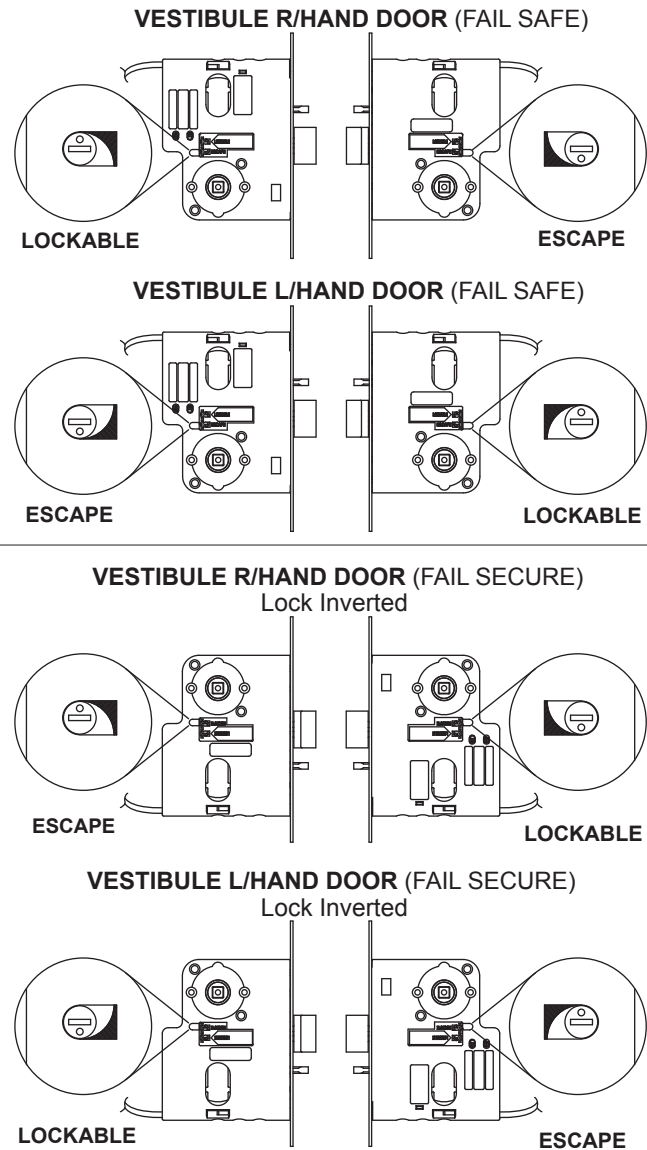
- SNIB CAM**
- Rotation of the Snib Cam hands the lock. Use a small flat screwdriver to rotate cam if required.
- Combination Locks**
(Both handles can be rotated) DOT to be in the UP position when case is upright.



- All Lockwood 3570 Series Electric Mortice Locks are mounted in accordance with these instructions. Locks may or may not have cylinders, lever handles, turn knob or emergency button. Disregard instructions referring to the features not required.
- Important : Before drilling door, ensure correct hand is being installed.
- NOTE: CASE DOES NOT need to be opened, to change HAND or FUNCTION of LOCK.

4 SETTING LOCK HANDING (cont'd)

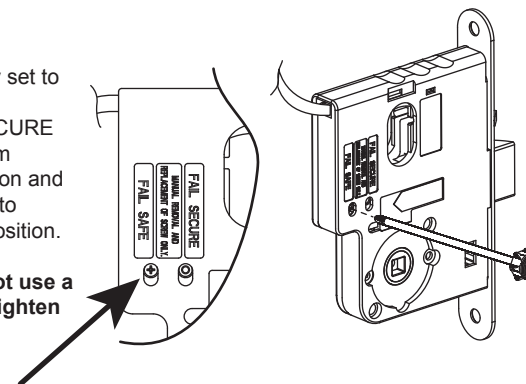
- Vestibule Locks**
With single action Escape feature.
: DOT to be UP on Lockable side and DOWN on the Escape side when case is upright.



5 SELECTING FAIL SAFE / FAIL SECURE

- The lock is factory set to FAIL SAFE.
- To set to FAIL SECURE remove screw from 'FAIL SAFE' position and manually screw into 'FAIL SECURE' position.

WARNING: Do not use a power driver to tighten screw.



PERFORATION

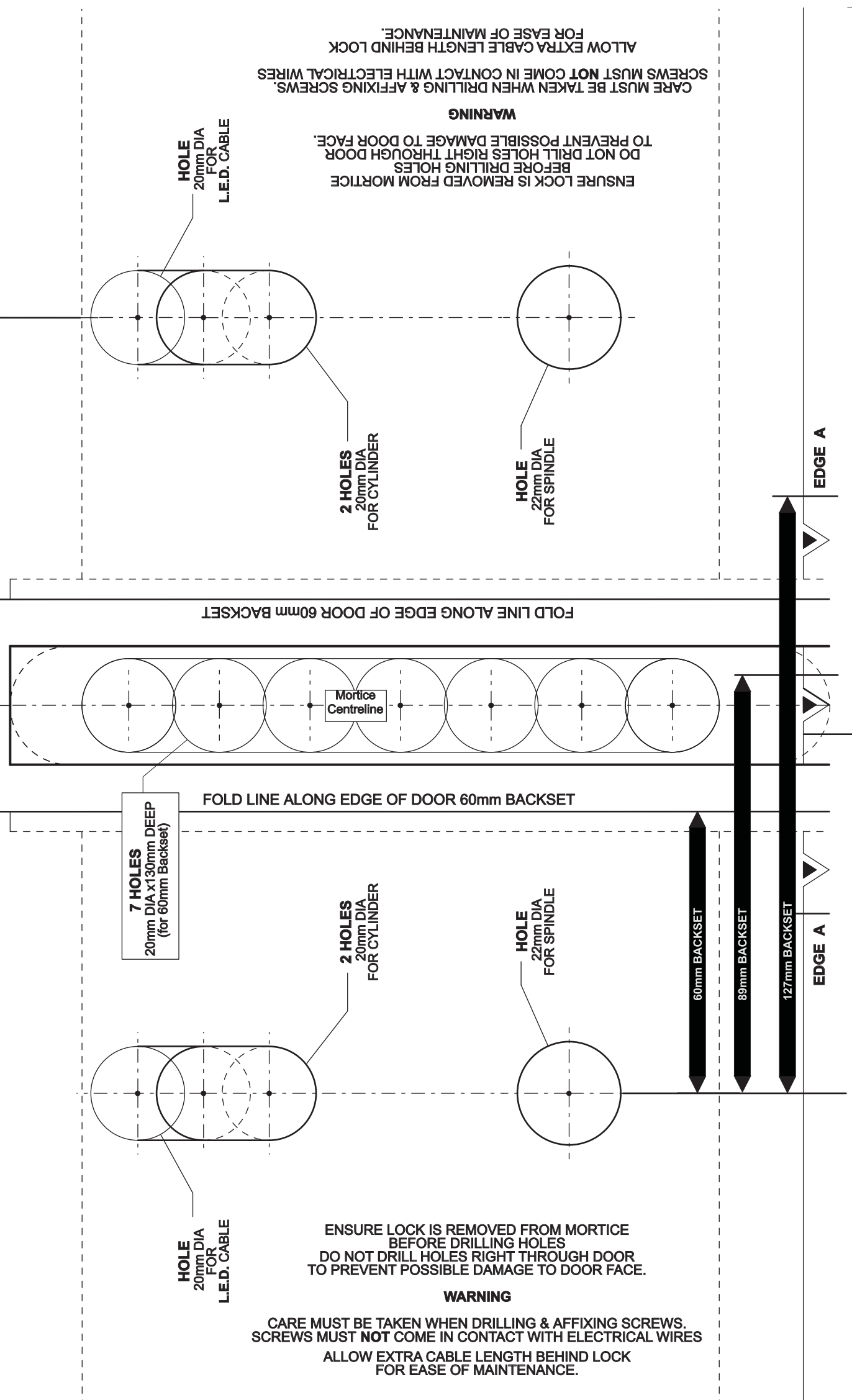
TEAR HERE

TEAR HERE

PERFORATION

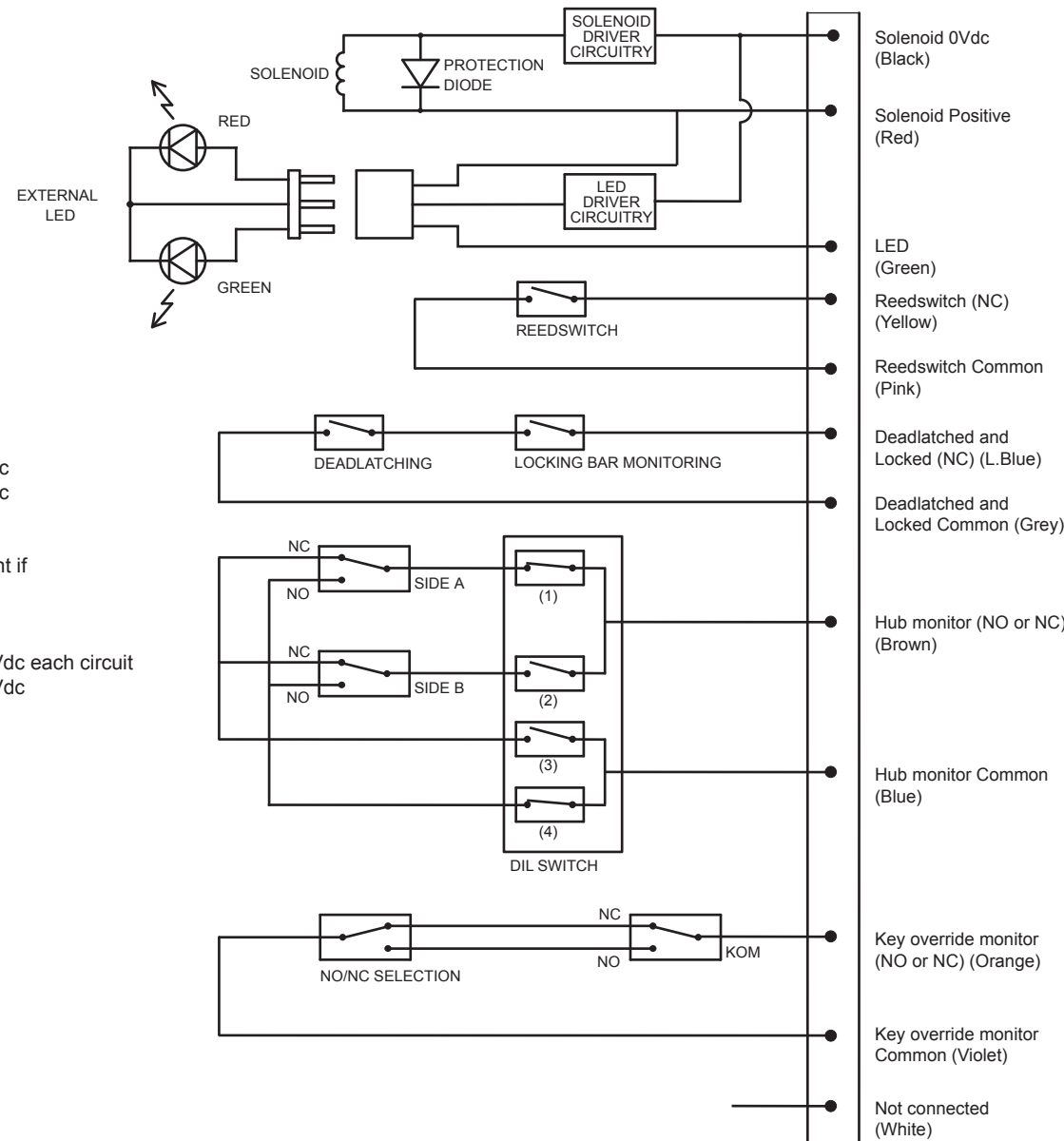
THIS IS A COMMON TEMPLATE FOR 3570 SERIES ELECTRIC MORTICE LOCKS. BEFORE DRILLING HOLES, CHECK THAT THEY WILL SUIT LOCKSET TO BE FITTED.

THIS IS A COMMON TEMPLATE FOR 3570 SERIES ELECTRIC MORTICE LOCKS. BEFORE DRILLING HOLES, CHECK THAT THEY WILL SUIT LOCKSET TO BE FITTED.



ELECTRICAL SPECIFICATIONS

Note : Diagram depicts RH opened door, with handle & key in rest state.



Solenoid Activation

Operating Voltage:
12~30Vdc

Operating Current:
500mA Max, 80mA holding @ 12Vdc
275mA Max, 50mA holding @ 24Vdc

Led Current

Add 20mA to Total Operating Current if
Led's are fitted.

Monitoring Circuits

Microswitches: 500mA Max @ 30Vdc each circuit
Reedswitch: 100mA Max @ 30Vdc

COLOUR FUNCTION

Black	Solenoid 0Vdc
Red	Solenoid Positive (12~30Vdc)
Yellow	Door closed Reed Switch (NC)
Pink	Reed Switch Common
Light Blue	Deadlatched and Locked (NC)
Grey	Deadlatched and Locked Common
Brown	Hub monitor (NO or NC)
Blue	Hub monitor Common
Orange	Key override monitor (NO or NC)
Violet	Key override monitor Common
Green	LED (12~30Vdc)
White	Not connected

ASSA ABLOY LOCKWOOD GUARANTEE

ASSA ABLOY Australia Pty Limited, ("ASSA ABLOY"), guarantees its products against defects in workmanship and materials. If within the normal working life of a product it is found to be defective, ASSA ABLOY will supply the same or an equivalent product free of charge.

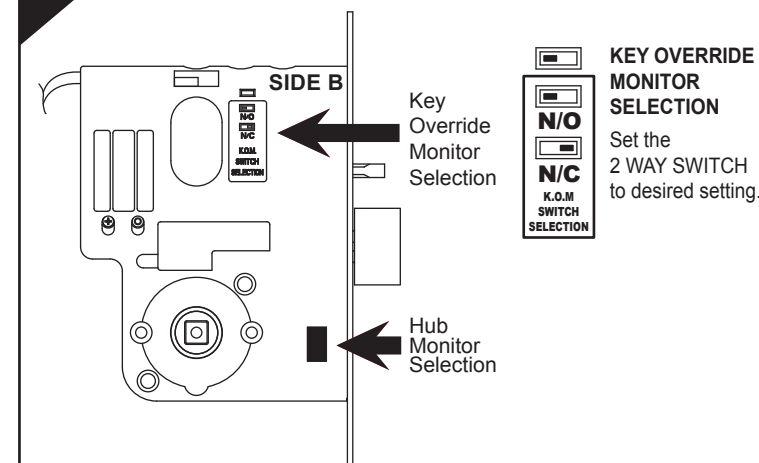
All electrical and electronic components used in Lockwood's range of products excluding batteries are guaranteed for a period of 12 months from the date of proof of purchase, unless otherwise stated.

ASSA ABLOY assumes no liability under this guarantee for the following :

- Improper installation or failure to follow fitting instructions.
- Failure due to improper maintenance.
- Failure due to fair wear and tear.
- Indirect or consequential loss or damage.
- Cost of removal and/or replacement.
- Cost of freight and/or replacement.
- The plated finishes Florentine Bronze, Architectural Bronze, Polished Brass and Satin Brass are classified as soft finishes. As deterioration is possible under some climatic conditions, these finishes are excluded from this guarantee.
- Any modification to a product as supplied, or repaired, unless authorised by ASSA ABLOY.
- Use of replacement part other than authorised parts.
- Malfunction or failure of the product due to use of non-genuine Lockwood parts.
- Malfunction or failure of the product due to the use of non-specified batteries.

Nothing in the Lockwood Guarantee excludes, restricts or modifies any condition, warranty, right or liability implied or protected by law where to do so would render the Guarantee, or any part of it, void.

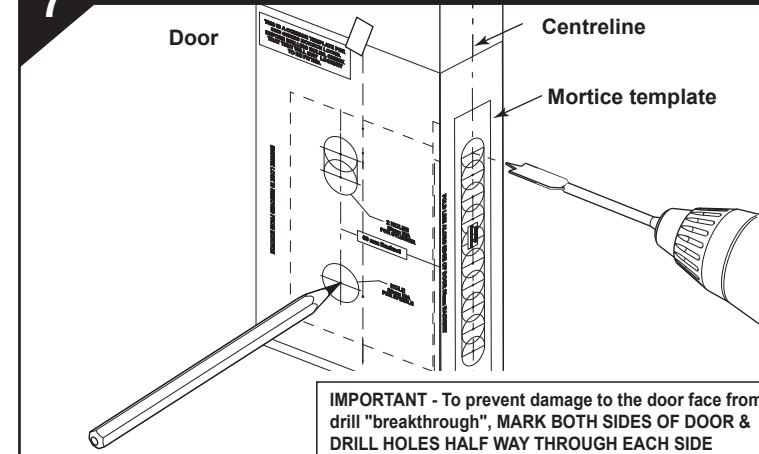
6 MONITOR SELECTION



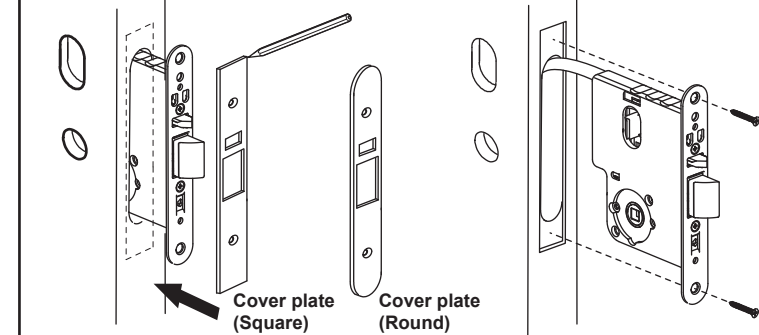
• Select normally open, normally closed, Lock Side A or Lock Side B monitoring configuration.

	SWITCH No.				LOCK SIDE	NORMAL FUNCTION
	1	2	3	4		
ON	■	■	■	■	A	N / C
OFF	■	■	■	■	A	N / O
ON	■	■	■	■	B	N / C
OFF	■	■	■	■	B	N / O

7 DOOR PREPARATION



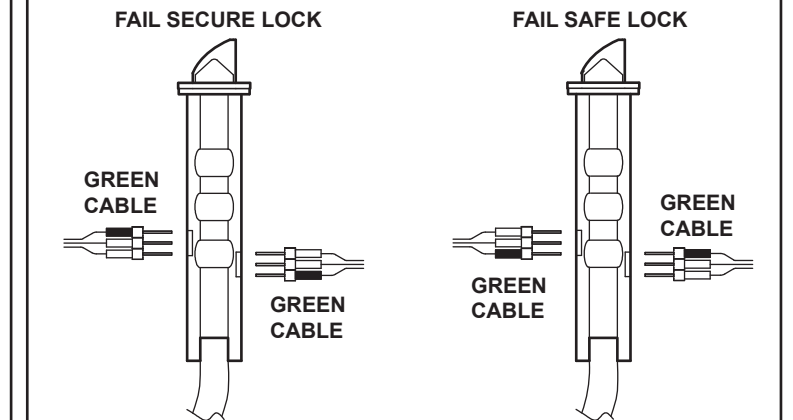
- Establish height that lockset will be mounted on door and mark centreline of door thickness on door edge.
- Place Mortise Template on door and align centreline on template with centreline on door. Secure with sticky tape.
- Mark and drill mortice to suit mortice lock depth (90mm).
- Ease out mortice cavity where necessary. Clean out mortice before inserting lock.
- Allow space for extra cable length behind lock for ease of maintenance.



- Insert lock in mortice with Cover Plate on and scribe around Cover Plate for size of recess, ensuring that no foreign matter finds its way into the lock mechanism.
- Remove lock from mortice and chisel recess 4mm deep to receive both front and cover plate. Cover plate must be flush with edge of door.
- Ensure lock is removed from mortice cavity. Fold template along backset fold line. Align EDGE A with bottom of cover plate recess. Establish holes required to suit lock function, mark hole centres accurately, drill and clean holes.
- Drill furniture holes as required.
- Fasten mortice lock into door using mounting screws provided.

8 FURNITURE WITH L.E.D.

- Before assembling furniture to door, connect LED cable to 3 pin socket located at TOP of lock body.



9 LOCKS WITH CYLINDERS

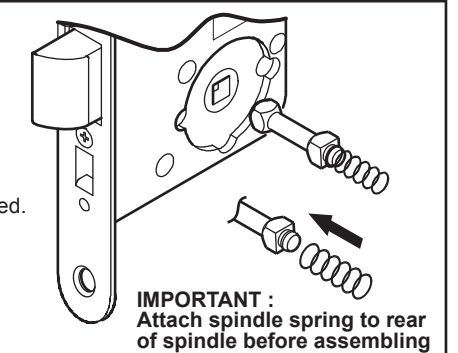
- Using a small flat screwdriver, lever out Cylinder Hole Plug where fitted.
- Connect power plug from lock to power supply socket and place lock in mortice and insert cylinder.
- Secure cylinder with retainer pin, ensuring pin is flush with front plate.
- Secure lock to door with 2 woodscrews supplied.
- Install cover plate and secure with 2 M4 screws to lock body.

LOCKS WITHOUT CYLINDERS

- Connect power plug from lock to power supply socket and place lock in mortice.
- Secure lock to door with 2 woodscrews supplied.
- Install cover plate and secure with 2 M4 screws to lock body.

10 LOCKS WITH SPINDLES

- All locks are supplied with spindles.
- Insert spindle(s) into lock, as required.
- Assemble furniture as required.
- Ensure furniture is not over-tightened.



11 MOUNTING STRIKE AND MAGNET

- Mark out door frame for strike.
- Mortice door frame for strike box and strike.
- Bolt recess to be 15mm deep in door frame.
- Screw strike and strike box to door frame with 2 screws supplied.
- Drill 19mm DIA hole x 40 Deep, 62mm above strike centreline.
- Insert magnet in hole.

