

Electric Strike

GLASS DOORS

The surface is grey powder coated.

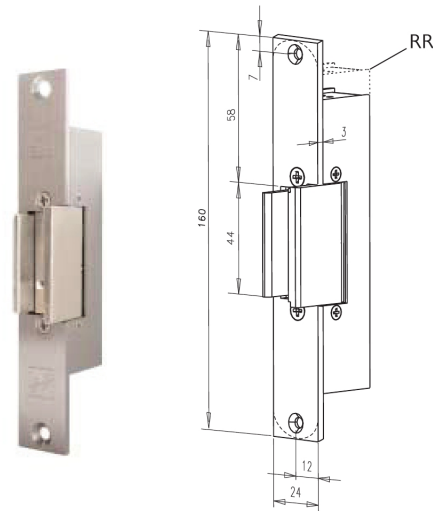
Fail-locked operation:

The door can be opened as long as a contact exists (momentary contact) or in eE types during the permanent application of current. In case of a power failure, the door cannot be opened and remains locked. The strike may not be commissioned until the electrical system is fully functional. When mounting, ensure the correct functional play of the door. The door leaf must glide easily into the keep and press in the safety bolt sufficiently far to ensure that the locking mechanism is initiated. Distance between the strike and the door leaf max. 3 mm.

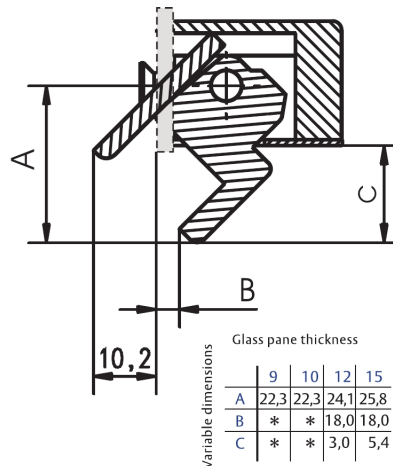
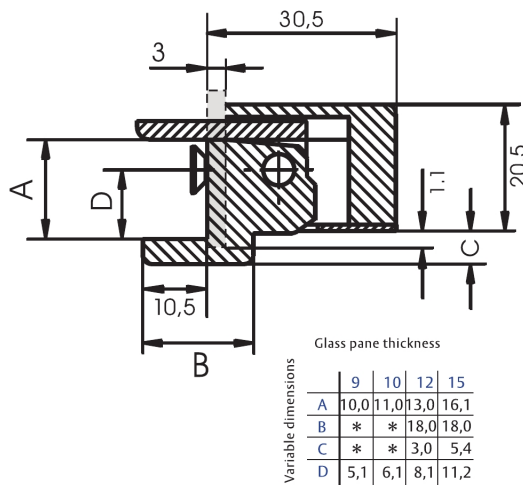
Fail unlocked operation:

The door is locked as long as an electrical current is applied to the strike. If the electrical trigger action is switched off or interrupted as the result of a power failure, the strike is movable and the door can be opened.

When mounting ensure the correct functional play of the door. The door leaf must glide easily into the keep. Distance between the strike and the door leaf max. 3 mm.



Sectional drawing 1:1



* Dimension omitted as keep is flush

Model No.	Product Description
914	ELECTRIC STRIKE FOR GLASS PANE THICKNESS 9MM
934	ELECTRIC STRIKE FOR GLASS PANE THICKNESS 10MM
91405	ELECTRIC STRIKE FOR GLASS PANE THICKNESS 12MM

