

CCW30F

Flush Mount Electro Magnetic MINI Lock Non Monitored

CCW30F DESCRIPTION



The **LOX CCW30F** Flush Mount Electro Magnetic Mini Lock was designed for securing small sliding door cabinets and the like. The holding force is up to **180kg**.



CCW30F

FLUSH MOUNT MONITORED SINGLE ELECTRO MAGNETIC LOCK

SPECIFICATIONS

CCW30F	FLUSH MOUNT SINGLE ELECTRO MAGNETIC LOCK NON MONITORED
HOLDING STRENGTH	UP TO 180KG, TESTED TO 400.000 CYCLES
VOLTAGE/CURRENT	DUAL VOLTAGE 12/24VDC 12VDC = 350mA 24VDC = 175mA
APPROVALS	CE & C-TICK  
ENVIRONMENTAL	OPERATIONAL TEMPERATURE RANGE - 20 DEG. C TO 60 DEG. C.

LOX
LOCKING

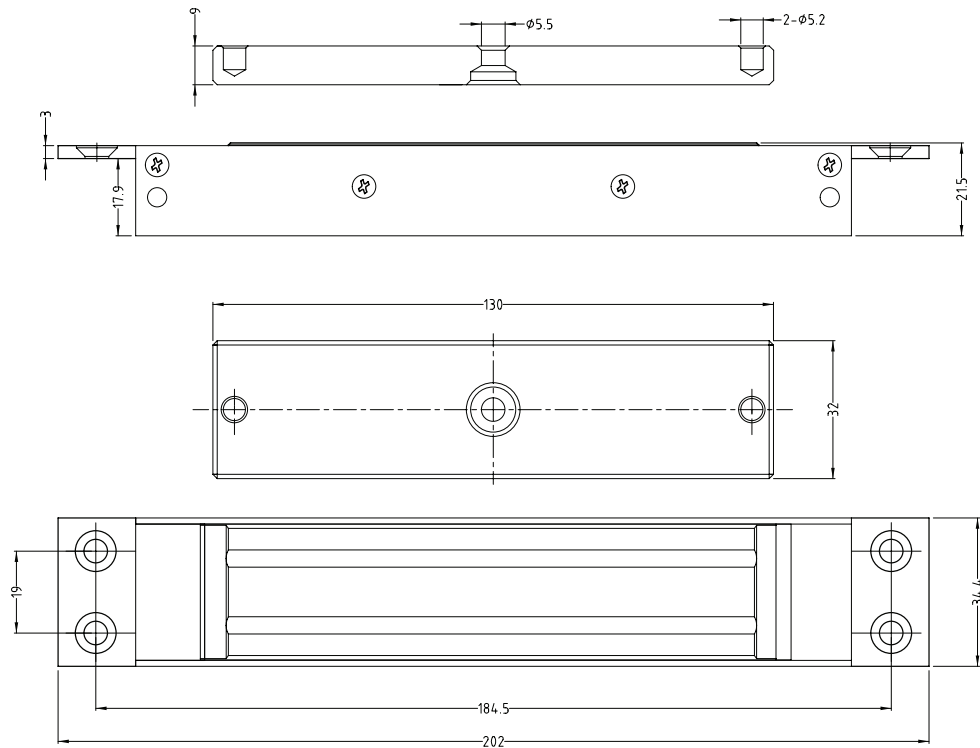
LOX LOCKING PTY LTD | www.loxlocking.com.au

LOX

CCW30F

Flush Mount Electro Magnetic MINI Lock Non Monitored

PRODUCT DIMENSIONS



Dimensions (mm)

CCW30F FACTS

- Built-in varistor (MOV) surge protection
- CE/RCM Approvals
- Lifetime warranty
- No residual magnetism

LOX
LOCKING

LOX LOCKING PTY LTD | www.loxlocking.com.au

LOX