

SH2500

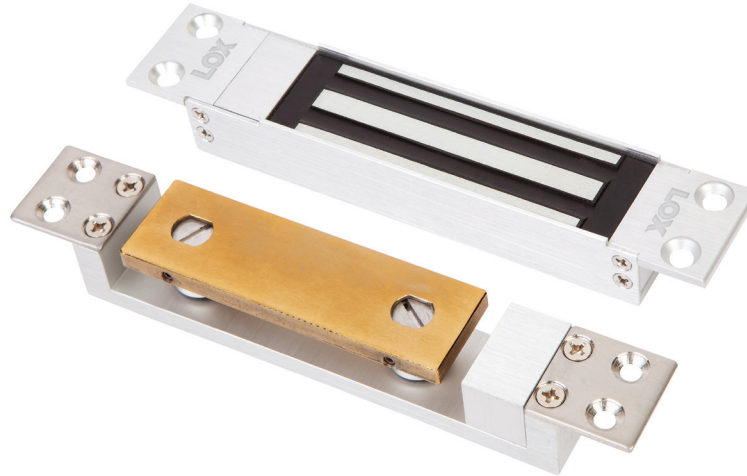
Electro Magnetic Shear Lock Mortise Mount Monitored

SH2500 DESCRIPTION

The **LOX SH2500** Shear Lock has been designed for double action **180°** degree swing through doors. Whilst standard Electro Magnetic Locking devices work on the principle of tensile force, Shear Locks operate on shear alignment force. When the shear lock detects the door in the closed position, the magnet pulls the armature plate up by about 5mm and jams the armature in the lock body's Aluminium frame (wing). The shear lock accepts voltages from 12 to 24VDC and has a holding strength of up to **250kg** of shear load.

THE MONITORED MAGNETIC SHEAR LOCKS HAVE:



- A built-in Hall Effect Sensor for monitoring the lock/unlock status of the locking device (LSS – Lock Status Sensor)
- LED Indicator



SH2500

MONITORED SINGLE MAGNETIC SHEAR LOCK

SPECIFICATIONS

SH2500	ELECTRO MAGNETIC SHEAR LOCK MORTISE MOUNT MONITORED
HOLDING STRENGTH	UP TO 250KG, TESTED TO 400.00 CYCLES
VOLTAGE/CURRENT	MULTI VOLTAGE 12-24VDC 12VDC = 1.2A IN-RUSH CURRENT & 0.2A HOLDING CURRENT 24VDC = 0.6 IN-RUSH CURRENT & 0.1A HOLDING CURRENT
APPROVALS	CE & RCM  
LSS MONITORING	LSS LOCK STATUS SENSOR (HALL EFFECT)
ENVIRONMENTAL	OPERATIONAL TEMPERATURE RANGE - 20 DEG. C TO 60 DEG. C.

LOX
LOCKING

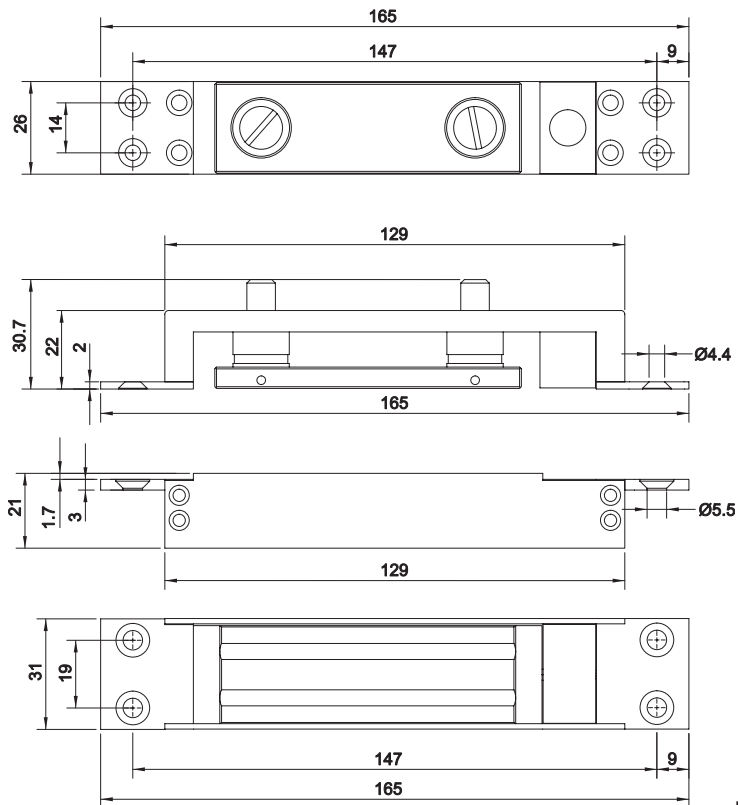
LOX LOCKING PTY LTD | www.loxlocking.com.au

LOX

SH2500

Electro Magnetic Shear Lock Mortise Mount Monitored

PRODUCT DIMENSIONS



Dimensions (mm)

SH2500 FACTS

- 2 years warranty
- CE/RCM Approvals
- Up to 250kg holding strength
- Low holding current
- Multi Voltage 12 to 24 VDC

NOTE

- Shear Locks are not suitable for sliding doors.
- Lock should not be used on doors:
 - >2100mm in height
 - >900mm in width
- Product designed for metal swing doors.

LOX
LOCKING

LOX LOCKING PTY LTD | www.loxlocking.com.au

LOX