

NETYS PR RT

1700-3300 VA

安装及操作手册 (CN)

Installations- und bedienungsanleitung (DE)

Manual de instalación y uso (ES)

Manuel d'installation et d'utilisation (FR)

Installation and operating manual (GB)

Manuale di installazione e uso (IT)

Installatie- en bedieningshandleiding (NL)

Dokumentacja Techniczno-Ruchowa (PL)

Manual de instalação e funcionamento (PT)

Manual de instalare și utilizare (RO)

Руководство по установке и эксплуатации (RU)

Navodila za priključitev in uporabo (SI)

Kurulum ve kullanım kılavuzu (TR)

WARRANTY CERTIFICATE AND CONDITIONS

This SOCOMEC UPS appliance is guaranteed against manufacturing and material defects for a period of 12 months from the date of purchase (local warranty conditions are applicable in addition to the general conditions). This warranty certificate should NOT be e-mailed, but kept by the customer along with proof of purchase, for use in the event of a claim being made for repairs or replacement under warranty.

The warranty period commences on the date the new product was purchased by the end user at an authorised showroom (reference details are shown on the receipt).

Return-to-base warranty is provided: components and labour for repairs supplied free of charge, any products to be replaced must be returned to SOCOMEC UPS or authorised service centres, at the customer's own risk and expense.

The warranty is recognized within national territory. If the UPS is exported out of national territory, the warranty shall be limited to the cover of the parts used to repair the fault.

To claim service under the warranty please observe the following:

- The product must be returned in the original packing. Any damage caused during shipping in packaging other than the original will not be covered by the warranty;
- The product must be accompanied by proof of purchase such as an invoice or receipt indicating the date of purchase and product ID information (model, serial number). The sender must also attach the reference number issued to authorise the return of the product, together with a detailed description of the defect. If any of this information is missing the warranty will be invalid. The authorisation number is issued by service centres over the telephone on receiving information on the malfunction in question;
- If it is not possible to provide proof of purchase the serial number and date of manufacture will be used to calculate the probable expiry date of the warranty; this could result in a reduction of the original warranty period.

The warranty on the product does not cover damage caused by carelessness (improper use: wrong input power, explosions, excessive humidity, temperature, poor ventilation, etc.), tampering or any unauthorised repair work.

During the warranty period, SOCOMEC UPS reserves the right to decide whether the product should be repaired, or whether to replace defective parts with new parts, or used parts that are equivalent to new parts in terms of functionality and performance.

In the case of batteries, warranty is valid only if the battery has been recharged regularly in accordance with the manufacturer's instructions. On purchasing the product it is advisable to check that the next recharge date indicated on the packaging has not expired.

Battery

- Batteries are treated as consumable parts and warranty only covers manufacturing defects.
- Batteries must be stored in compliance with Supplier recommendations.
- Warranty is valid only if the battery has been recharged regularly in accordance with the manufacturer's instructions. On purchasing the product it is advisable to check that the next recharge date indicated on the packaging has not expired.

Optionals

A 12-month return-to-base warranty is provided on optionals.

Software products

Software products are guaranteed for 90 days. The software is guaranteed to work as indicated in the manual accompanying the product. Hardware media or accessories (e.g. diskettes, cables, etc.) used with appliances are guaranteed free of material or manufacturing defects under normal conditions of use for a period of 12 months from the date of purchase.

SOCOMECE UPS will not be responsible for damages (including loss of income, interruption of business activity, loss of information or other financial losses, of any nature) arising from the use of the product.

These conditions are subject to Italian law. Disputes shall come under the jurisdiction of Court of Vicenza.

SOCOMECE UPS retains the full and exclusive ownership rights over this document. Only a personal right to utilize the document for the application indicated by SOCOMEC UPS is granted to the recipient of such document. All reproduction, modification, dissemination of this document whether in part or whole and by any manner are expressly prohibited except upon Socomec's express prior written consent.

This document is not a specification. SOCOMEC UPS reserves the right to make any changes to data without prior notice.

CONTENTS

1. SAFETY STANDARDS	4
1.1 IMPORTANT	4
1.2 DESCRIPTION OF THE SYMBOLS USED ON LABELS ATTACHED TO THE UNIT	5
2. INSTALLATION	6
2.1 ENVIRONMENTAL REQUIREMENTS FOR INSTALLATION	6
2.2 VERTICAL INSTALLATION	7
2.3 HORIZONTAL INSTALLATION ON RACK	9
3. REAR VIEW	12
4. CONNECTIONS	13
5. CONNECTION OF BATTERY EXTENSION	14
5.1 SAFETY WARNINGS	14
5.2 CONNECTION OF BATTERY EXTENSION	14
6. MIMIC PANEL	16
7. OPERATING MODES	17
7.1 BATTERY RECHARGING	17
7.2 SWITCHING THE NETYS PR ON AND OFF	17
7.3 SETTING MENU	19
8. VISUAL AND AUDIBLE WARNING SIGNALS	20
8.1 ALARM INDICATION	20
9. COMMUNICATION	21
9.2 USB INTERFACE	21
9.3 RS232 INTERFACE (J-BUS/MODBUS)	21
9.4 WEB/SNMP CARD (OPTION)	21
10. MAINTENANCE	22
10.1 MINOR TROUBLESHOOTING	22
11. TECHNICAL SPECIFICATIONS	23

1. SAFETY STANDARDS

1.1 IMPORTANT

This manual should be kept carefully in a safe place near the UPS, so that it can be consulted by the operator at any time for any information that may be needed regarding correct use of the unit. Read the manual carefully before connecting the unit to the a.c. mains supply and to the downstream appliances. Before the UPS NETYS PR is put into commission, the user must be perfectly familiar with its operation, with the position of all the controls and with the technical and functional characteristics of the unit, so as to ensure there will be no risk to any persons or to the appliance itself.

- **Before being started up, the unit must be equipotentially bonded, in accordance with current safety regulations.** The earth wire of the UPS must then be connected to an efficient earth system.
- **If the earth connection is not made, the appliances connected to the UPS will not be equipotentially bonded.** In this situation, the manufacturer declines all liability for any damage or accidents that could derive from failure to observe the requirements.
- **Should a power outage occur (UPS in stand-alone mode), do not disconnect the power cord from the mains, as this will break the earth connection to bonded appliances.**
- **All subsequent maintenance operations must be entrusted only to authorized service engineers.** The UPS generates high internal voltages that could be hazardous for a maintenance operative not in possession of the appropriate skills and training for this type of work.
- **If a hazard situation should arise at any moment when the UPS is in use,** isolate the unit from the power supply (by operating a switch at the upstream PDU if possible) and switch the appliance off completely by running the shutdown procedure.
- **The UPS houses a source of electrical energy, namely its batteries. The output of the UPS may be under power even when the appliance is not connected to the a.c. mains supply.**
- **Never force, break or attempt to open the batteries. These batteries are sealed, maintenance-free components containing substances that are harmful to health and a source of environmental pollution. If liquid can be seen leaking from the battery, or a white powdery residue is noticeable, do not switch the UPS on.**
- **Avoid exposing the UPS to contact with water or any liquids generally. Do not insert foreign objects into the cabinet.**
- **Danger of explosion if the batteries are replaced with others of the wrong type.**
- **Replaced batteries must be disposed of at authorised waste disposal centres.**



It is very dangerous to touch any part of the batteries as there is no isolation between the batteries and the mains power source.



CAUTION!
A battery can present a risk of electrical shock and high short circuit current.

- **If the appliance is to be scrapped,** it must be entrusted exclusively to a specialist waste disposal company. These companies will split up and dispose of the various components in accordance with statutory regulations in the country of purchase.
- Since the power cord of the UPS functions as an isolating device, ensure ready access to the mains power socket where the UPS is connected, and/or to the rear panel of the UPS, so the unit can be easily unplugged.
- The UPS generates a **leakage current** of approximately 3 mA. To guarantee the maximum leakage current of 3.5 mA, make certain that the leakage current generated by the load is no greater than 0.5 mA. Should the leakage current from the load exceed this limit, instruct a skilled engineer to install an industrial type connection (to IEC 309 standard) between the UPS and the a.c. mains supply, sized to handle a current compatible with the rating of the appliance.
- Use the UPS in accordance with the technical specifications indicated in this manual (chapter 11).
- To meet the operating requirements for the Emergency Switch Device (ESD), a specific RJ11 input with remote ESD/EPO function is available.
- In the event that the equipment has no automatic backfeed protection contactor device, make certain that:
 - the user/installer attaches warning labels to all mains isolating switches located remotely from the area where the UPS is sited, in order to inform service personnel that the circuit is connected to a UPS.
 - an external isolating device is installed, as indicated in figure 1-1.
- The product you have chosen is designed for commercial and industrial use only.
- The product you have selected, given the specified conditions of use, capacity and performance limits, is designed exclusively for commercial and industrial service. The use of the product in “critical applications” could require compliance with statutory regulations and standards, or with specific local bylaws, or adaptation to SOCOMEC UPS recommendations. For this type of use, in any event, it is advisable to contact SOCOMEC UPS beforehand for confirmation regarding the capacity of products to meet required levels of safety, performance and reliability. The expression “critical applications” covers, in particular, life support systems, medical applications, commercial transport, nuclear facilities or any other systems where failure of the product might on occasion cause serious damage to persons or property.



WARNING!

This is a product for commercial and industrial application in the second environment – installation restrictions or additional measures may be needed to prevent disturbances.



CAUTION IF DAMAGED.

BATTERIES, NON SPILLABLE.

Packages, crushed, punctured, or torn such that contents are revealed must be set aside in an isolated area and inspected by a qualified person. If the package is deemed to be not shippable, the contents must be promptly collected, segregated, and either the consignor or consignee contacted.



All packaging material must be recycled in compliance with the laws in force in the country where the system is installed.

1.2 DESCRIPTION OF THE SYMBOLS USED ON LABELS ATTACHED TO THE UNIT

All precautions and warnings on labels and plates on the inside and outside the equipment should be observed.



DANGER! HIGH VOLTAGE (BLACK/YELLOW)



GROUND TERMINAL



READ THE USER MANUAL BEFORE USING THE UNIT

2. INSTALLATION

2.1 ENVIRONMENTAL REQUIREMENTS FOR INSTALLATION

Consult the following check list when installing the UPS:

- NETYS PR units are designed for use in enclosed environments.
- Position the UPS on a flat and stable surface in a properly ventilated room, well away from heat sources and avoiding direct exposure to sunlight.
- Ambient temperature should be kept between 0 °C and 40 °C, and relative humidity below 80% (without condensation); the optimum temperature in terms of maximising battery lifetime is 15÷20 °C.
- Check that the UPS will not be installed in a dusty environment.
- Be certain that a clearance of at least 20 cm is left on all sides of the unit to ensure adequate ventilation and provide access to the rear panel.
- Take care not to stand the UPS or any other heavy object on cables.
- Check that the operating voltage and frequency settings are correct for the mains power supply at the installation site. Details for the UPS will be found on the data plate attached to the rear panel.
- When carrying out the RS232 serial connection, use only the cables and accessories supplied or specified by the manufacturer.
- When the UPS is first used, it is advisable to leave the battery on charge for a minimum of 8 hours.



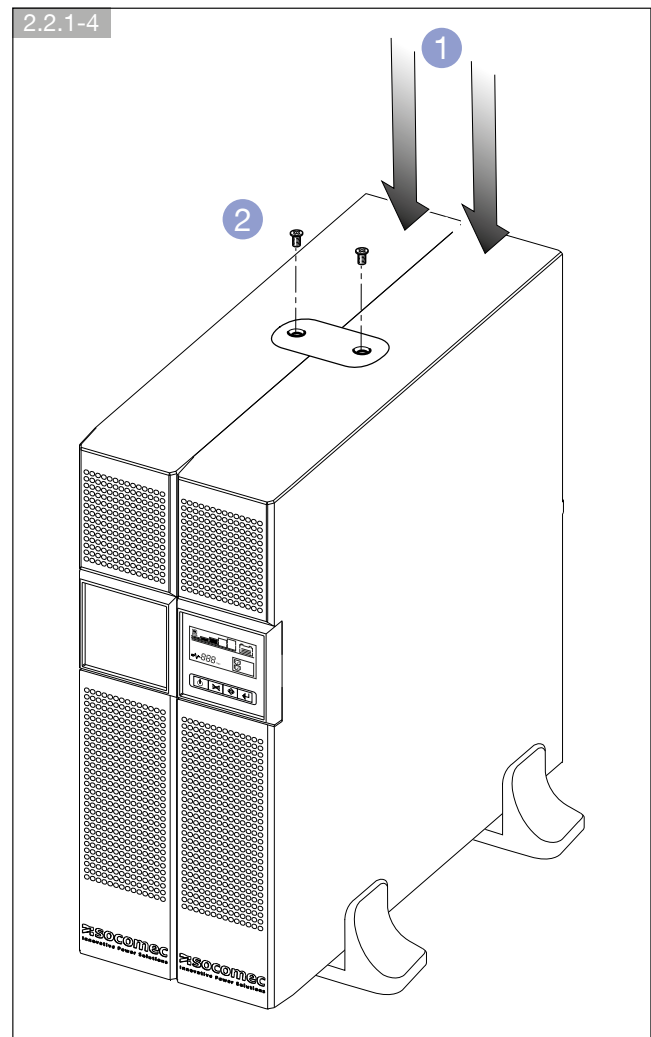
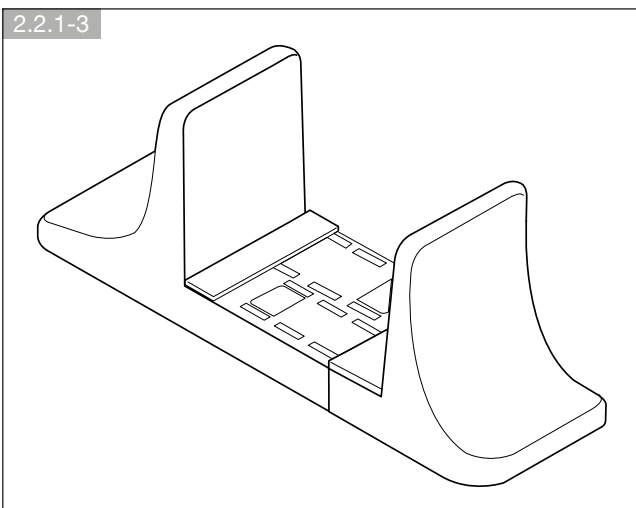
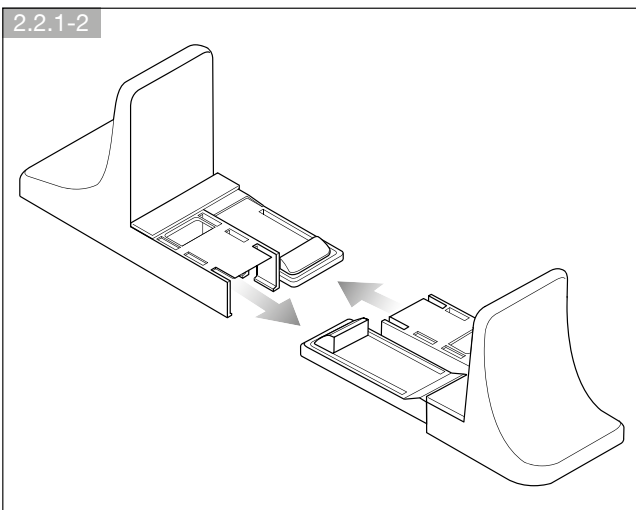
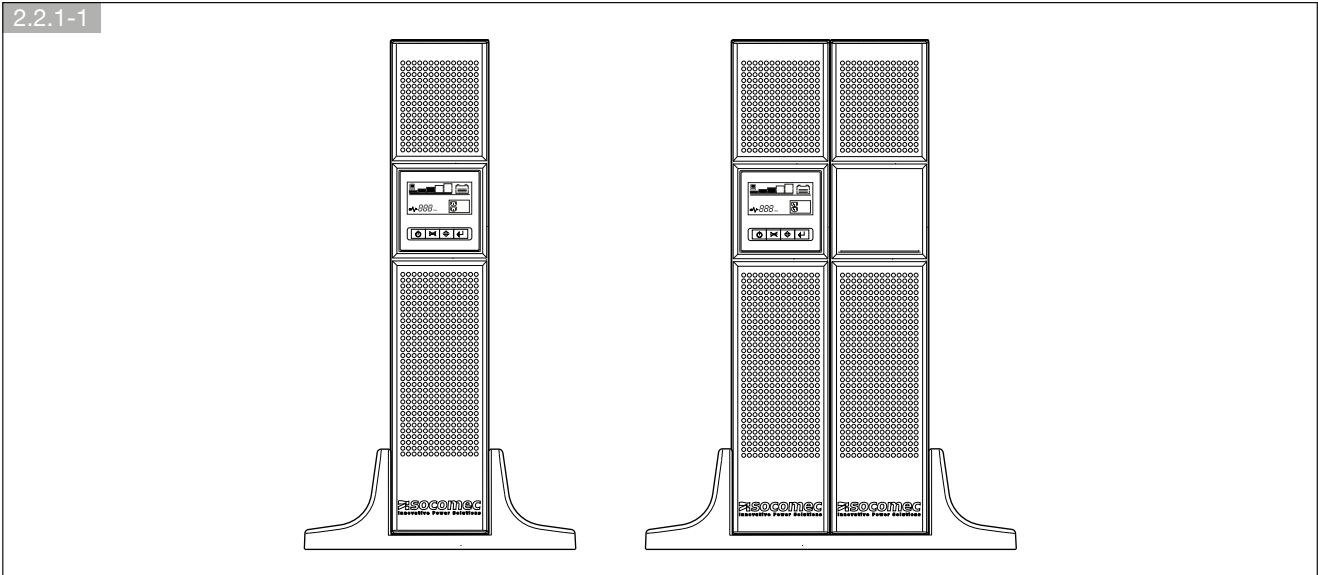
PRECAUTIONS IN THE EVENT OF DAMAGE

DO NOT TURN THE BATTERIES OVER

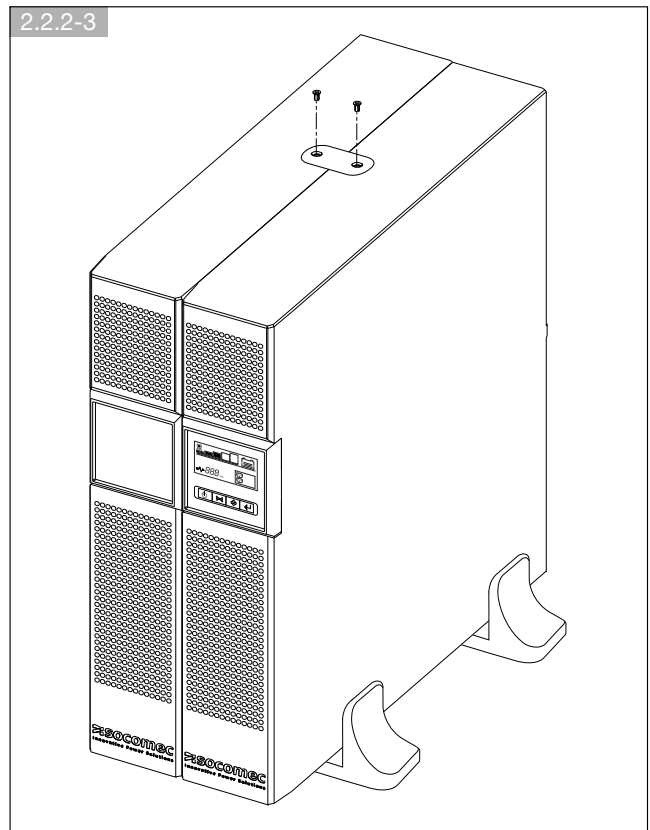
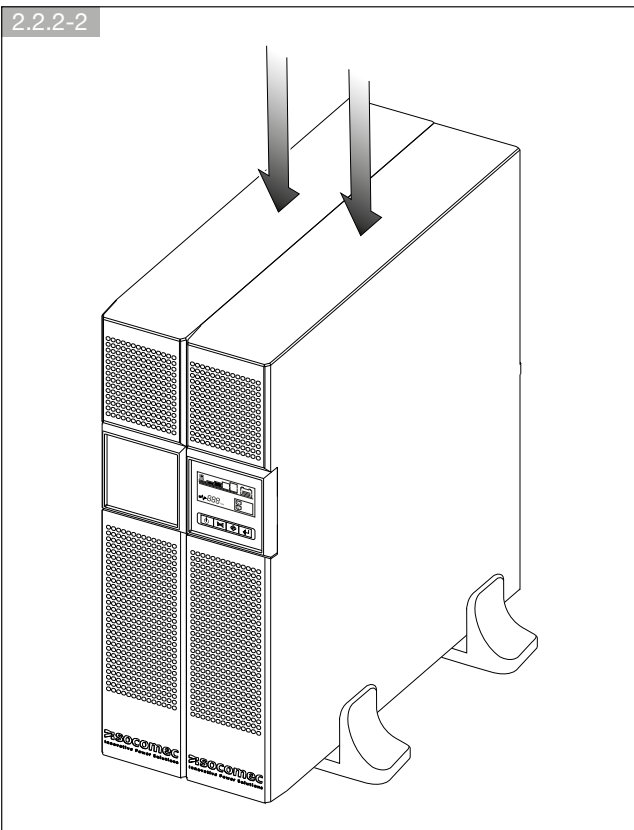
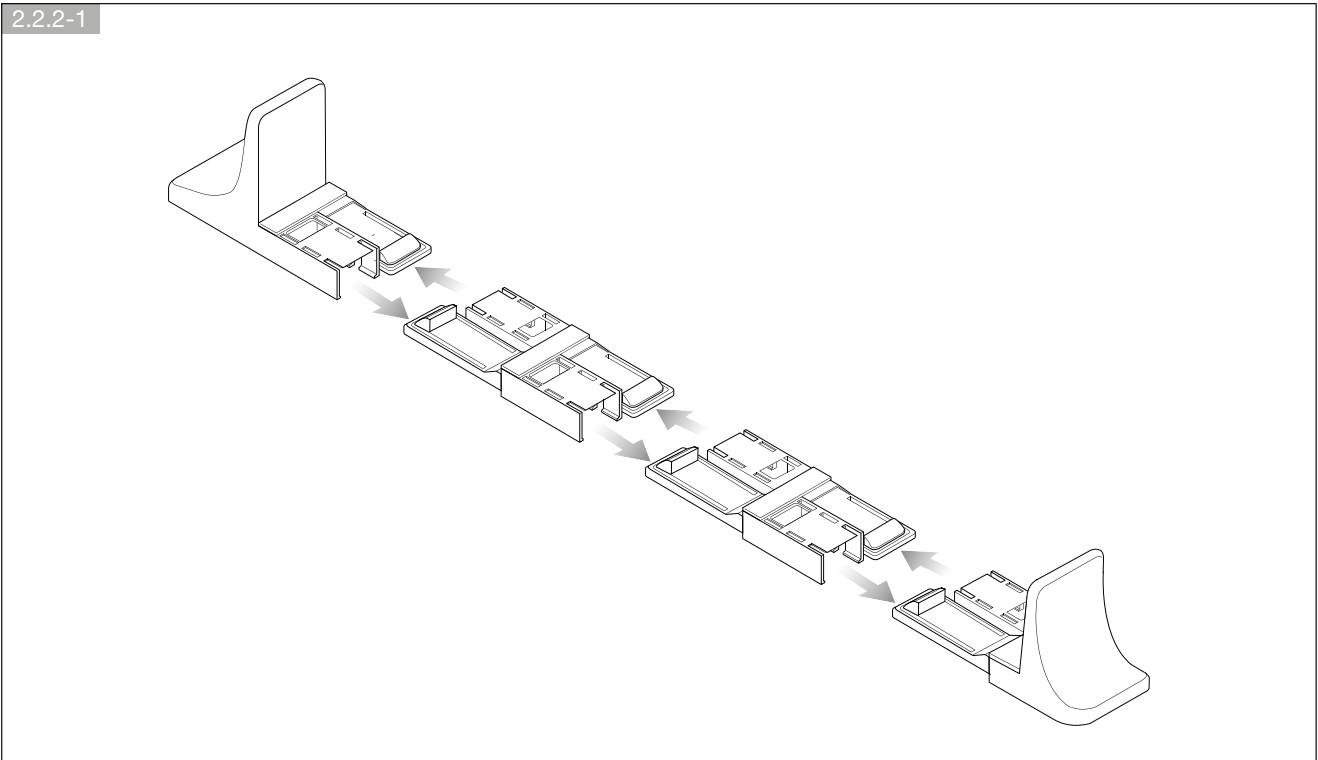
Packaging materials that have been broken, punctured or torn in such a way as to reveal the contents must be kept separate in a secure area, and inspected by skilled staff. Any packaging considered unsuitable for shipment of the contents must be set aside immediately and kept secure, and the sender or recipient contacted.

2.2 VERTICAL INSTALLATION

2.2.1 UPS Installation

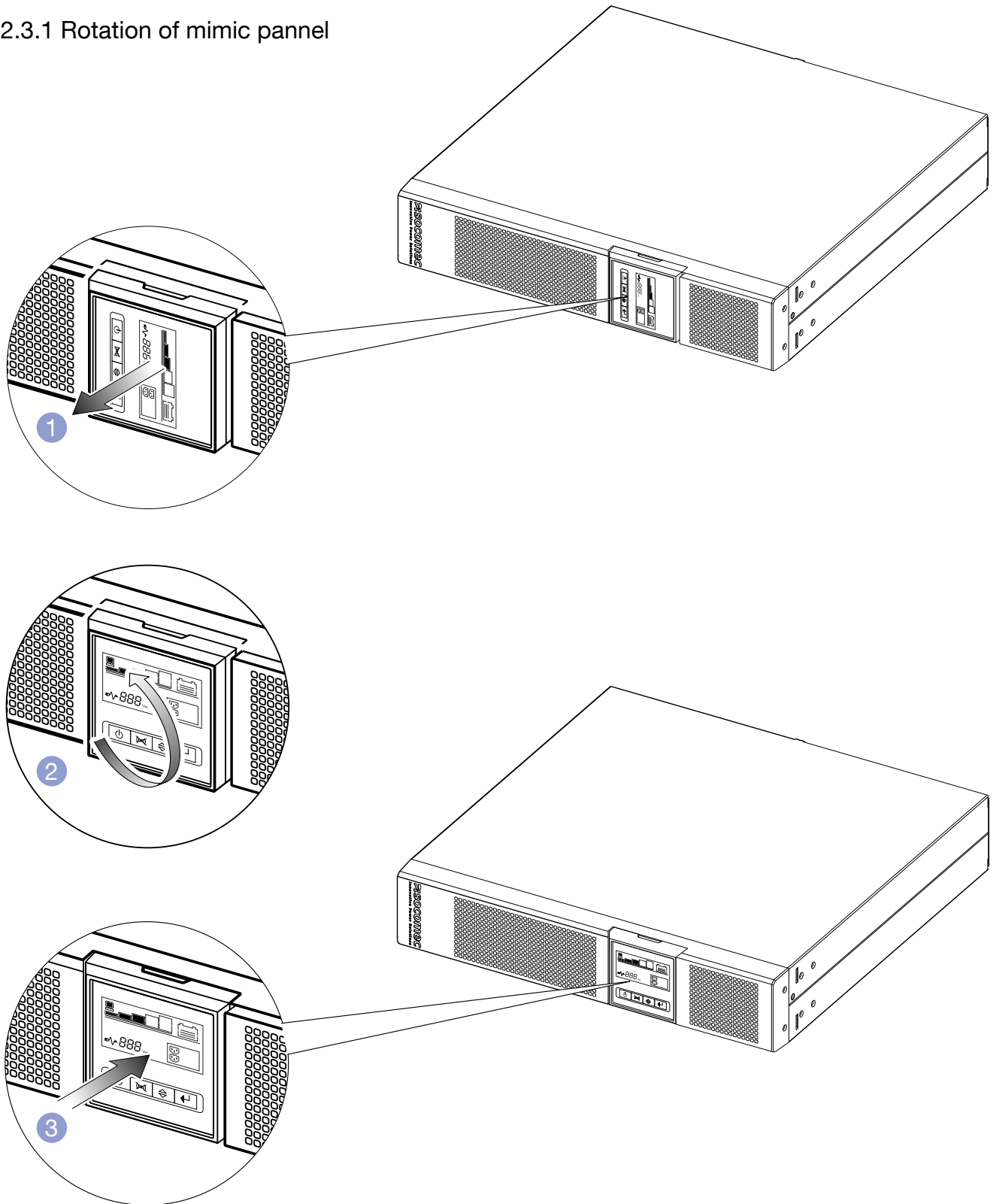


2.2.2 UPS Installation with multiple battery extensions

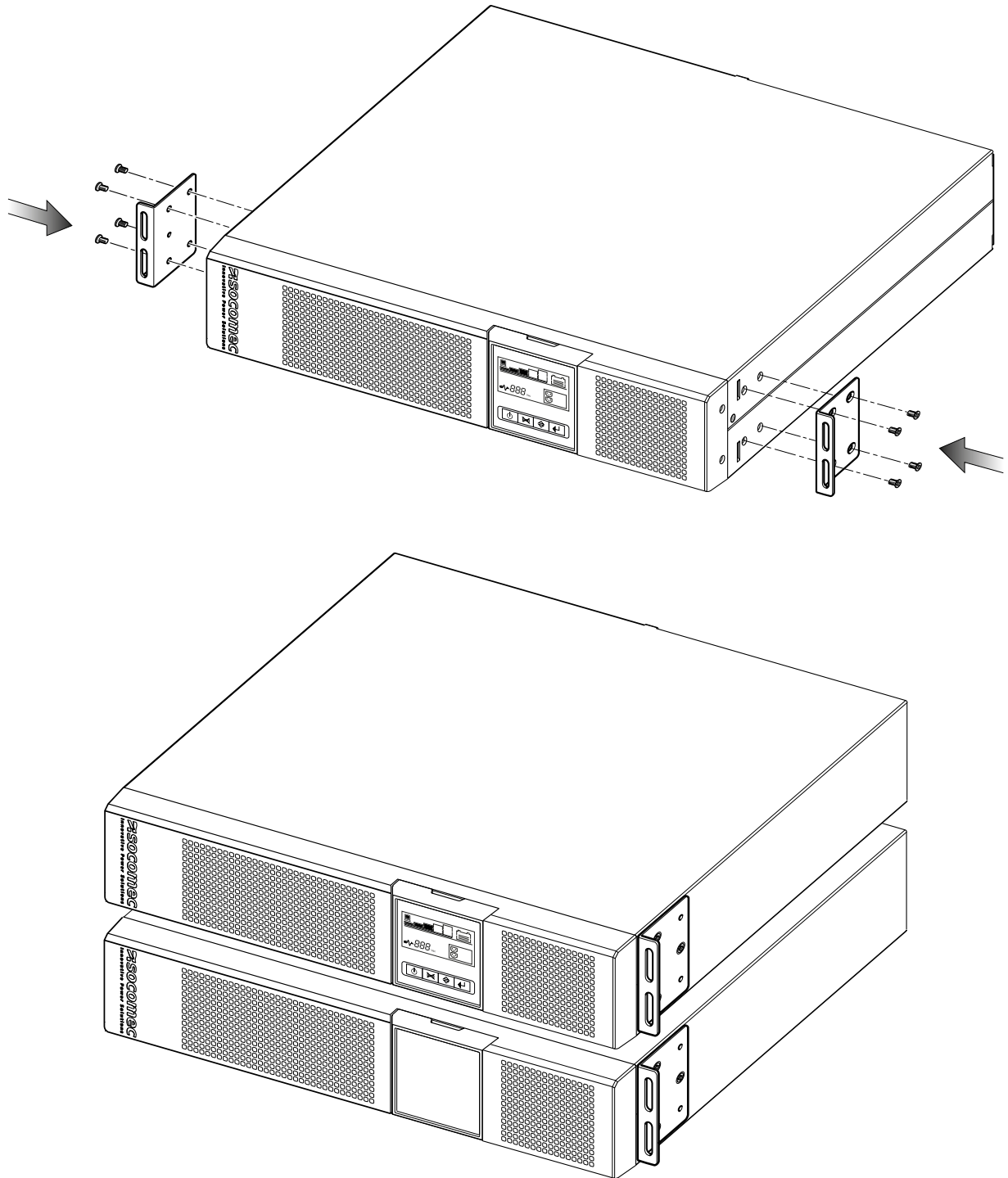


2.3 HORIZONTAL INSTALLATION ON RACK

2.3.1 Rotation of mimic pannel

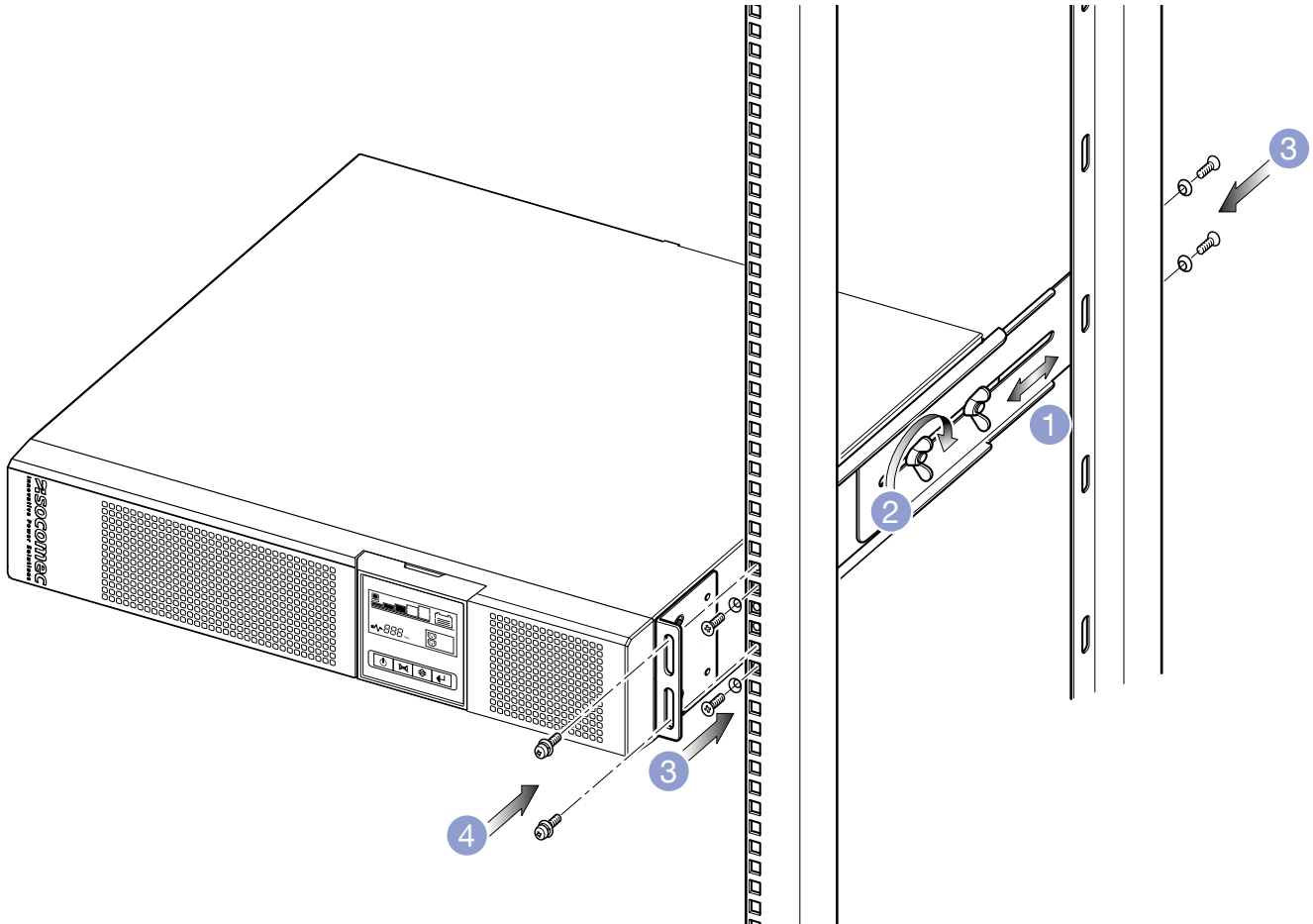


2.3.2 Fitting rack brackets

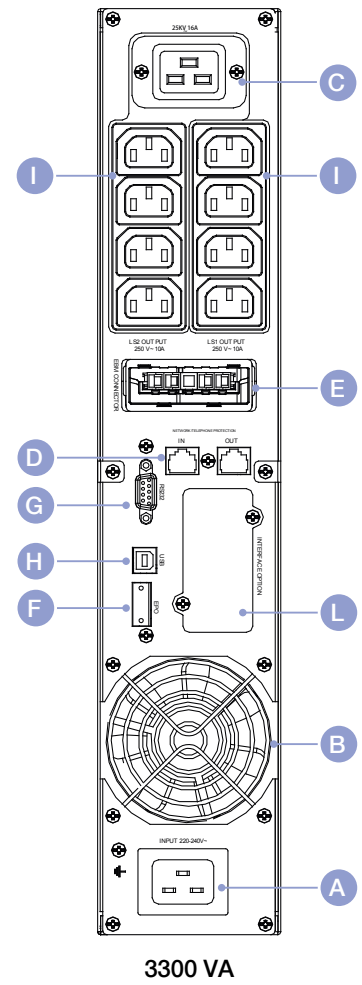
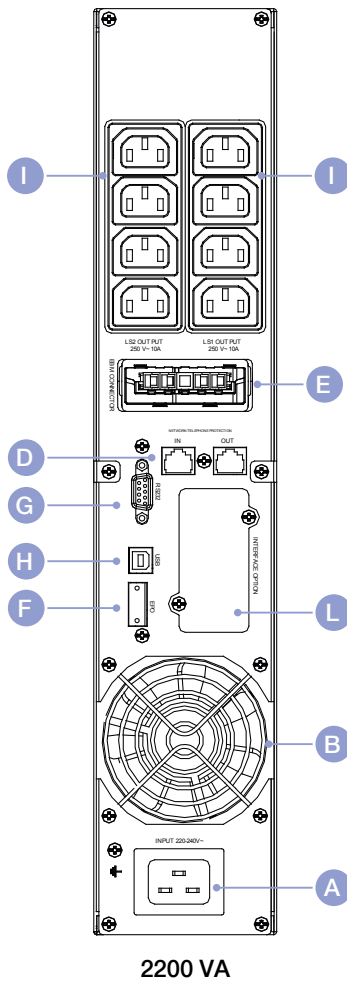
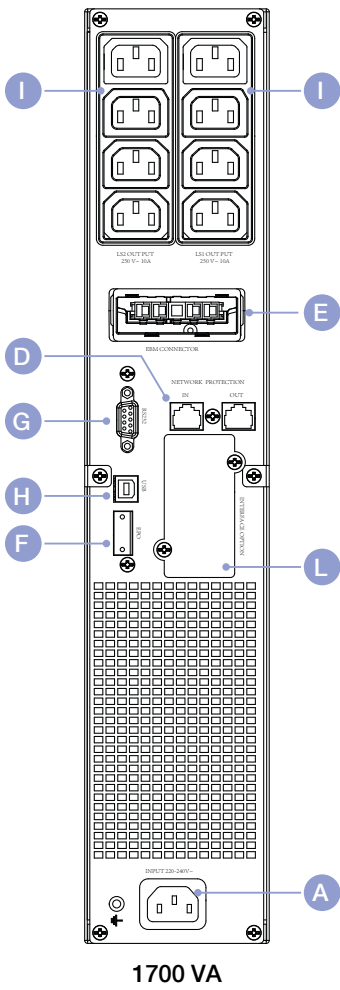


2.3.3 Fixing to rack

1. Adapt the length of the tracks to fit the rack.
2. Secure the wing nuts.
3. Fix the track to the rack.
4. Slot in the UPS and tighten the screws.



3. REAR VIEW



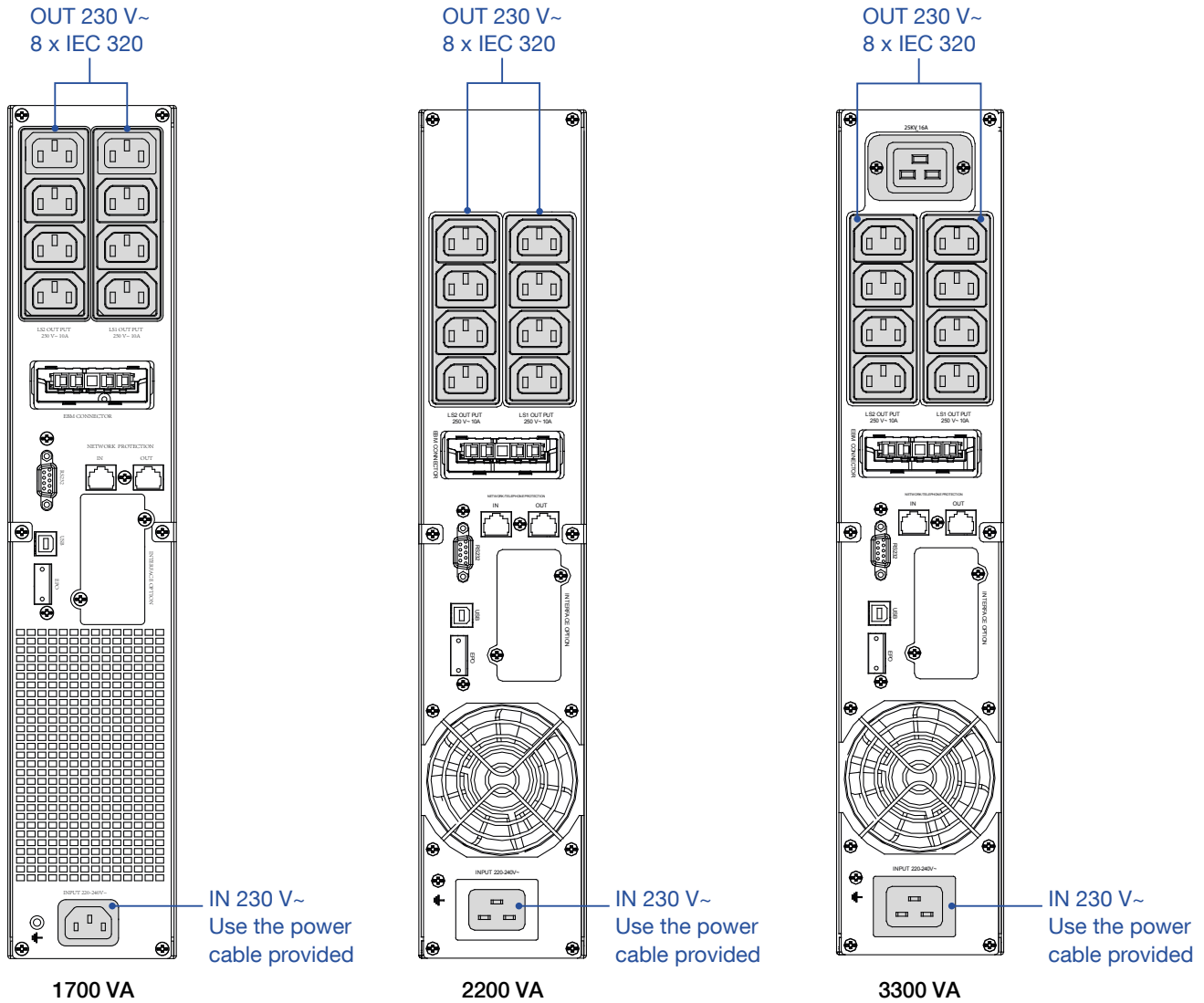
Key

- A Mains input socket (IEC 320)
- B Fan
- C Output socket (full power)
- D NTP protections (RJ45)
- E Battery extension socket
- F EPO (Emergency Power Off)
- G RS232 serial connector (JBUS protocol)
- H USB socket
- I Power output sockets (IEC 320 - 10 A max)
- L Slot for optional communication cards

4. CONNECTIONS

Connection to the mains power supply and load(s) must be made using cables of suitable cross section, in accordance with current standards.

If not already provided, install a PDU panel allowing isolation of the mains supply upstream of the UPS. The panel must be equipped with an automatic switch rated high enough to handle current draw on full load, and with a residual current device.



The external contact **MUST** be dedicated and voltage-free, so as not to cause permanent damage to the UPS.

5. CONNECTION OF BATTERY EXTENSION

5.1 SAFETY WARNINGS

- Before connecting the battery extension check it is fully compatible with the model of UPS in use.
- The use of battery extensions not supplied by the manufacturer is not recommended.



WARNING!

There is a risk of explosion if battery modules are replaced with others of an incorrect type.

- Depleted batteries are considered as toxic waste. When batteries need replaced disposal of used batteries using authorised waste disposal companies. In accordance with local legislation, it is prohibited to dispose of batteries along with other industrial waste or household refuse.



WARNING!

It is extremely dangerous to touch any part of the battery storage unit.

5.2 CONNECTION OF BATTERY EXTENSION



WARNING!

Before commencing any operations ensure that:

- the voltages of the UPS battery and battery extension are equal;
- the UPS has been shut down completely and all isolation switches are OFF;
- switches upstream of the UPS are OFF.

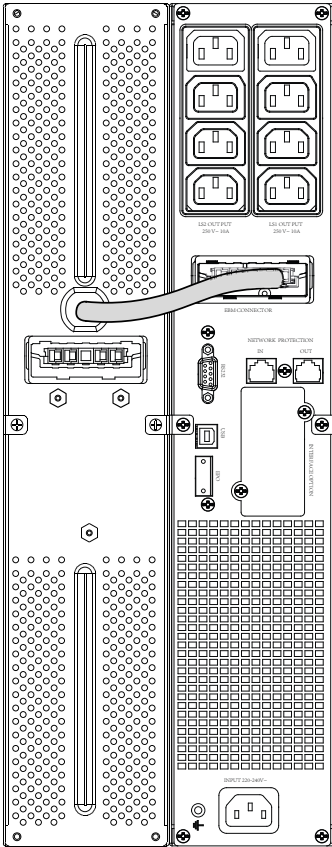


When connecting the UPS to the battery extension use the cable provided with the equipment only.

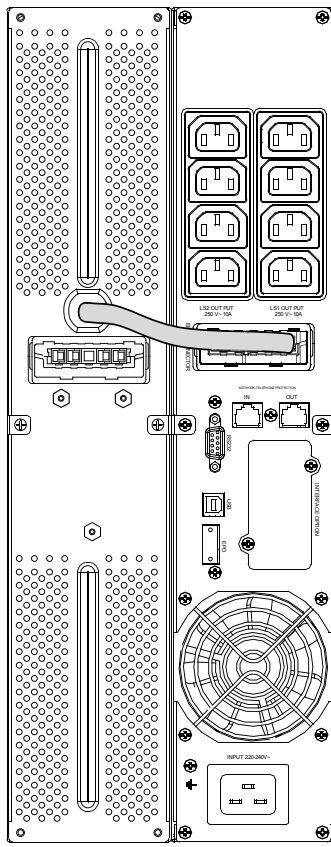


Any wiring error that results in the polarity of the battery being inverted could cause permanent damage to the equipment.

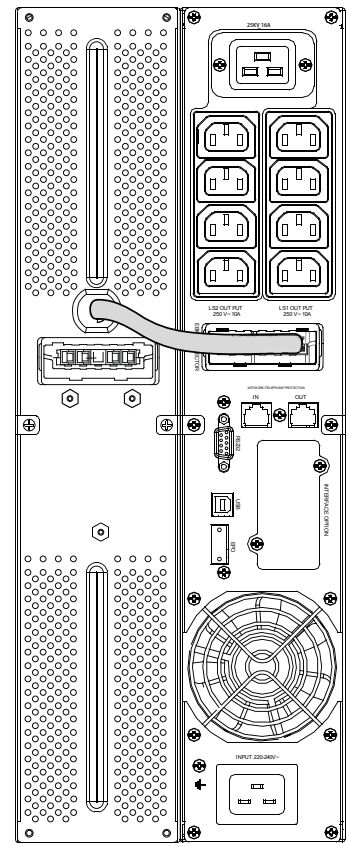
5. CONNECTION OF BATTERY EXTENSION



1700 VA



2200 VA



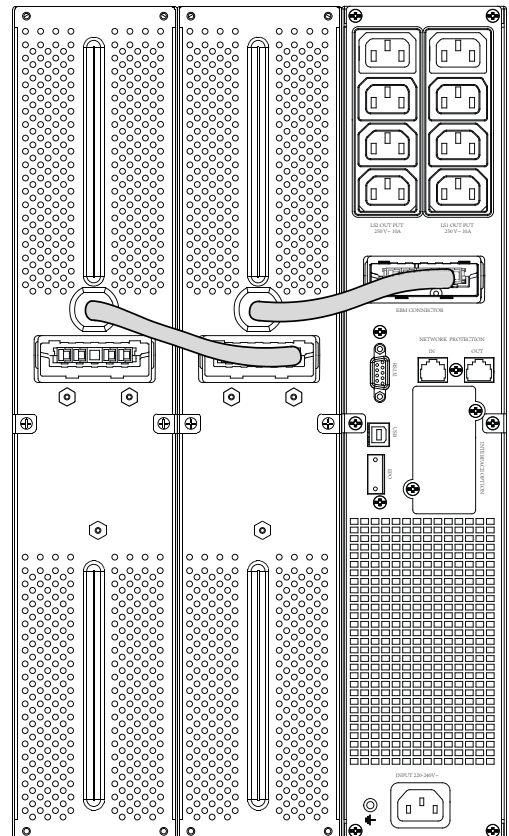
3300 VA

Connection of multiple batteries



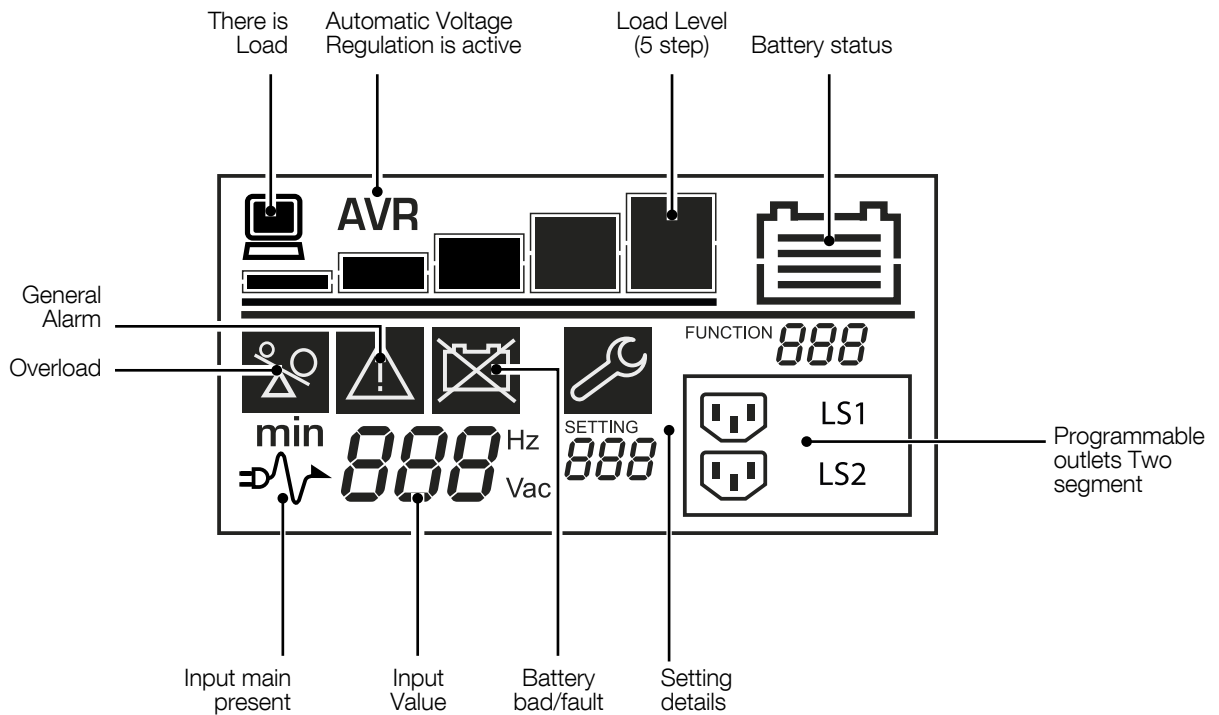
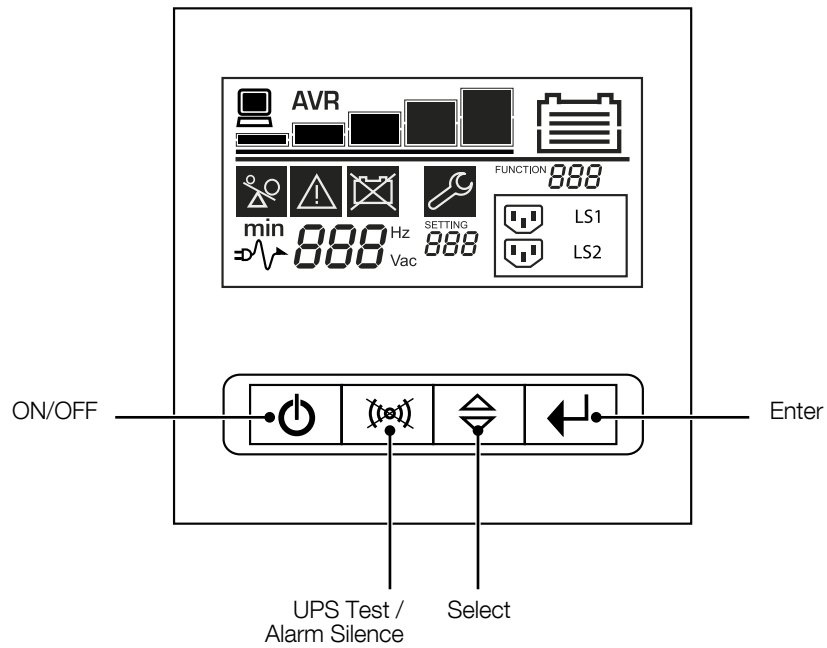
WARNING!

A maximum of 2 EBMs can be used with NETYS PR

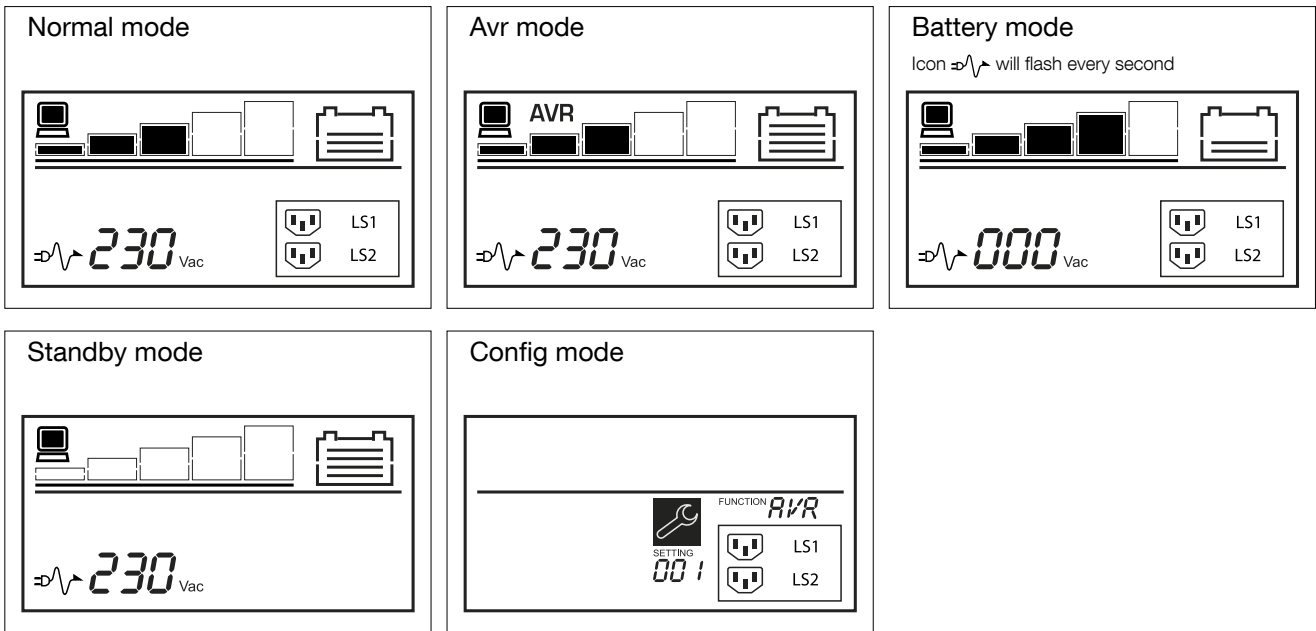


6. MIMIC PANEL

The mimic panel on the front of the UPS provides all essential information on the operating status of the appliance.



7. OPERATING MODES

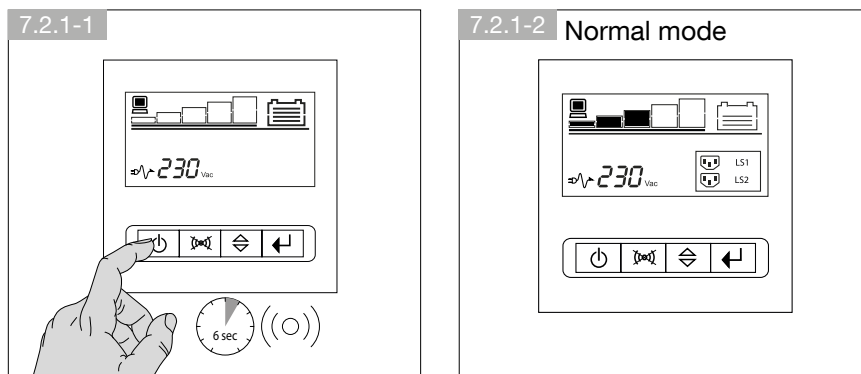


7.1 BATTERY RECHARGING

Connect the UPS to the mains voltage for approximately 8 hours to recharge the internal batteries.
 The UPS can be used even with the batteries not fully charged, though if a power cut occurs backup duration will be shorter.

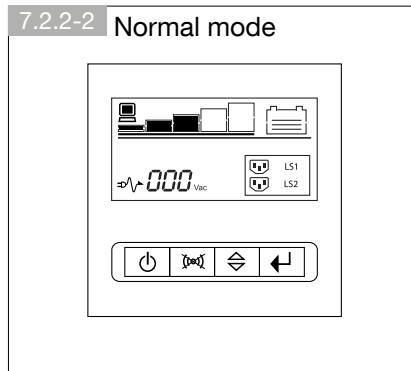
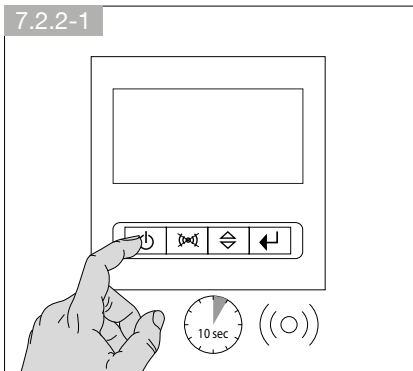
7.2 SWITCHING THE NETYS PR ON AND OFF

7.2.1 Switching on with mains present



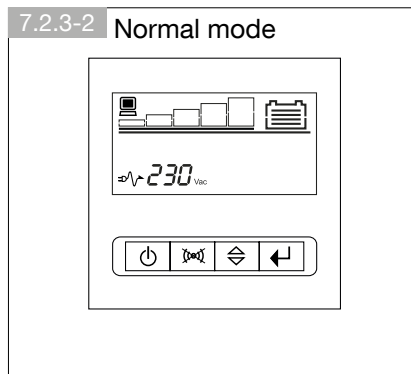
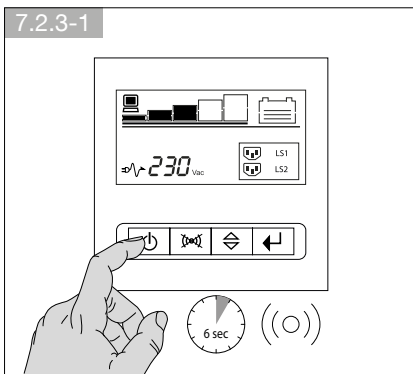
Power up all loads, one at a time.

7.2.2 Switching on with no mains power



Power up all loads, one at a time.

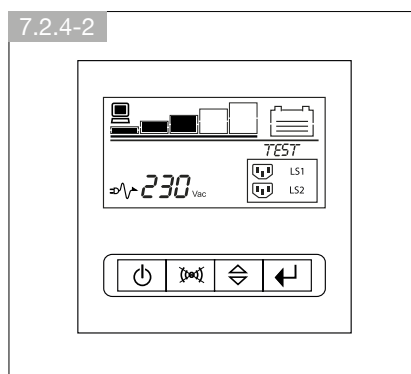
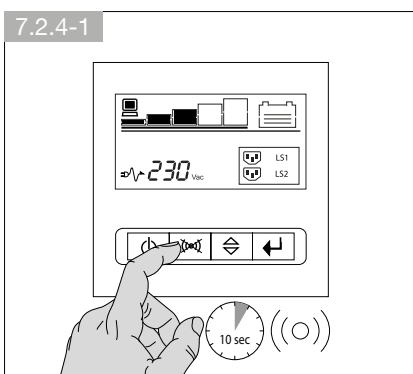
7.2.3 Switching off with mains present



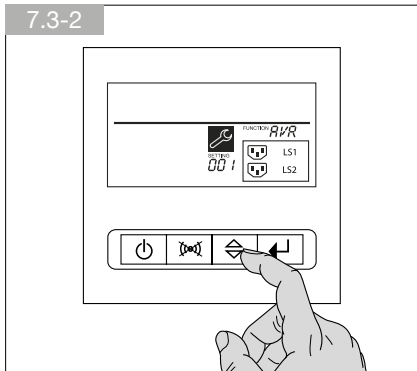
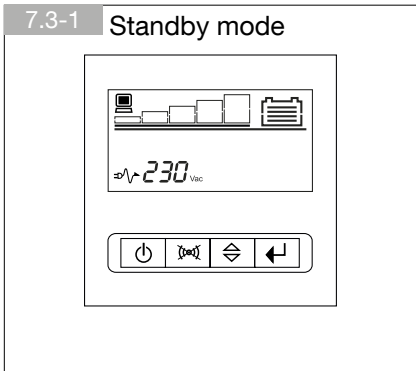
7.2.3-3

- UPS is off but battery remains on charge
- Shut down all loads, one at a time.
- Switch off mains power to shut down completely.

7.2.4 Battery test



7.3 SETTING MENU

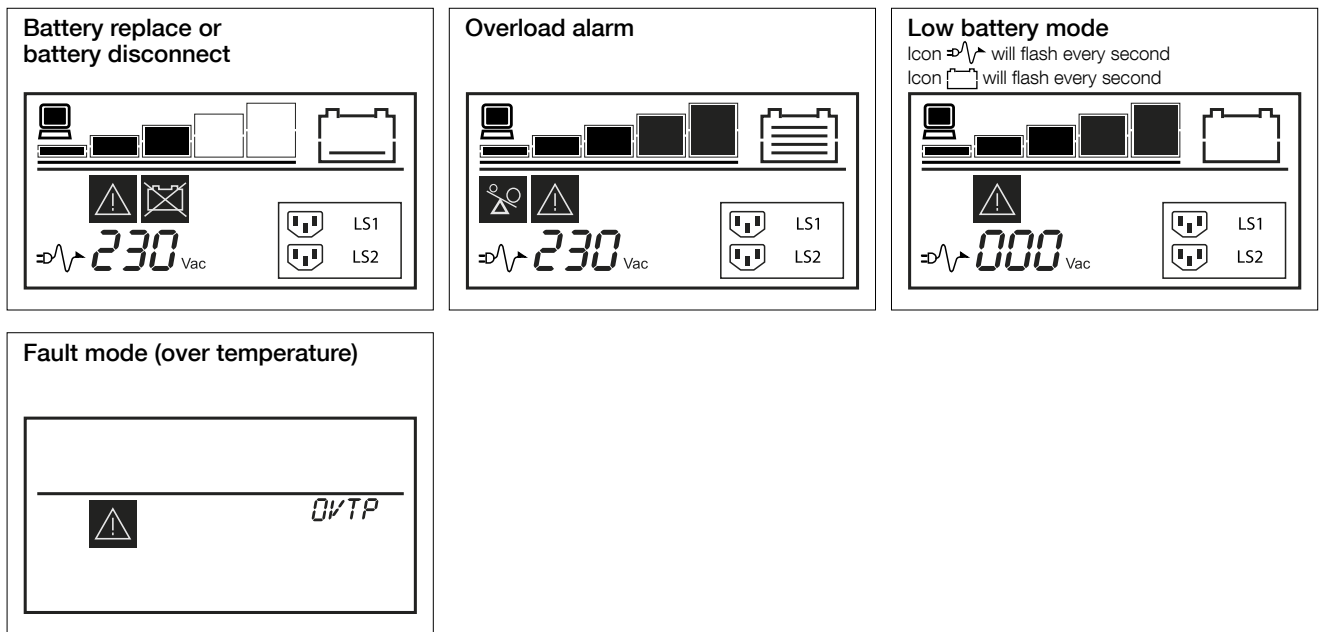


Function	Description	Settings
OPV	Output voltage mode select	[220]= 220 V [230]= 230 V [240]= 240 V
AVR	Input type select	[001]= Normal range mode ¹ [002]= Wide range mode ² [003]= Generator mode from ³
EBM	External battery module	0~2 is the number of external battery module
TEST	Auto self-test	[000]=Disable [001]=Enable
AR	Automatic restart	[000]=Disable [001]=Enable
GF	Green function ⁴	[000]=Disable [001]=Enable
BZ	Buzzer control	[000]=Disable [001]=Enable
LS1	Load segment 1	[000]=Turn off [001]=Turn on
LS2	Load segment 2	[000]=Turn off [001]=Turn on

1. (± 20% input voltage)
 2. (-30 and +20% input voltage) @ 85% of nominal load
 3. (40 Hz to 70 Hz input frequency)
 4. Green Function is that when an insignificant amount of load is detected, the UPS will shut down output automatically on battery mode.

8. VISUAL AND AUDIBLE WARNING SIGNALS

8.1 ALARM INDICATION



The following table shows the description of the LCD display string:

LCD Display String	Description
OPVH	The output is too high
OPVL	The output is too low
OPST	Output short
OVTP	Internal temperature is too high
FNLK	Fan is locked

9. COMMUNICATION

Communication software and accessories are available for monitoring status, for the purpose of optimising normal operation and ensuring that shutdown at the end of backup time is managed correctly. Applications allow recording of all power outages and any depletion of battery power so as to enable the activation of an automatic procedure for closing programs in an ordered sequence and shutting down the system.

NETYS PR no-break systems are equipped with RS232 and USB serial communication interfaces, and slots for Web/SNMP cards. Visit www.socomec.com and click on **DOWNLOAD** then **SOFTWARE** to find the communication software suitable for your requirements. See the CD provided.

9.2 USB INTERFACE

The UPS can communicate with the server directly by way of the USB interface using HID protocol, if available on the computer operating system, without the need to install any additional software. Once connected UPS recognition occurs in the same way as for any other peripheral, and the operating parameters can be managed with the OS service menu. Use the connecting cable provided.

9.3 RS232 INTERFACE (J-BUS/MODBUS)

This interface is required to run **Local View** ideal UPS monitoring and shutdown point-to-point solution for Windows®, Linux® and Mac OS X® operating systems.

9.4 WEB/SNMP CARD (OPTION)

With this card installed, the UPS can be connected directly to a LAN (RJ45 ethernet) and controlled remotely from a WEB browser using TCP/IP protocol. Reference should be made to the relevant literature for a full description of functionality.

10. MAINTENANCE



WARNING!

The UPS generates HAZARDOUS INTERNAL VOLTAGES. All maintenance operations should be carried out by AUTHORISED SERVICE ENGINEERS ONLY.

- The unit will operate to its maximum capability if kept powered round the clock (24/7); this ensures that the batteries will always be properly charged.
- If the appliance is not to be used for any length of time wait until the batteries are fully charged (connection to mains power supply for 8 hours continuous) before shutting the UPS down.
- Recharge the batteries for a duration of 24 hours at least every 4 weeks when the unit is not in use.

10.1 MINOR TROUBLESHOOTING



WARNING!

If problems persist or recur frequently after following the procedures indicated in this section contact the SOCOMEC UPS After Sales Service, providing a full description of the problem.

Problem	Possible cause	Solution
The UPS works in battery mode even if mains power is available	Poor connection to the input mains	Check the connection of the cable to the UPS and to the mains outlet
	The mains voltage is out of range	No solution because mode of operation is correct
	Input protection triggered (blown fuse or automatic switch)	Replace the input fuse with another of the same type or reset the automatic switch
Back-up time shorter than expected	Batteries not fully charged	Leave the batteries to charge for 8 hours consecutively
	Batteries not working properly	Have the batteries replaced by authorised personnel
The UPS stalls/goes into overload alarm	Overload on the load line	Check that the load applied is not greater than the maximum permitted or reduce the load power requirement

11. TECHNICAL SPECIFICATIONS

Models			
Power	1700 VA	2200 VA	3300 VA
Power	1350 W	1800 W	2700 W
Electrical specifications - Input			
Voltage	161 V \pm 4% (selecting wide mode) - 276 V \pm 4% (230 Vnom)		
Frequency	50/60 Hz with automatic selection		
Mains connection	IEC 320-C14 (10 A)	IEC 320-C20 (16 A)	IEC 320-C20 (16 A)
Electrical specifications - Output			
Voltage (in Normal Mode with AVR)	The AVR increases (boost 1) the output voltage by 14% when the input voltage drops below 90% of the nominal value.		
	The AVR decreases (bucks) the output voltage by 12% when the input voltage rises above 106% of the nominal value.		
Voltage (in Battery Mode)	230 V \pm 5%		
Frequency (in Battery Mode)	50/60 Hz \pm 0,1 Hz		
Wave form	Pure Sine Wave		
Transfer time	2÷6 ms (typical),		
Normal Mode protections	Overload (110% for 3 minutes)		
Battery Mode protections	Overload (110% for 30 seconds); shortcircuit protected		
Load connection socket IEC 320	8 (10 A)	8 (10 A)	8 (10 A) + 1 (16 A)
Battery			
Typical back-up time ¹	6 min	8 min	6 min
Battery recharge	4 hours 80% Cn (after full discharge). Under permanent charge even when the UPS is off (mains present).		
Reporting and Communication			
Communication interface	RS232 - USB	RS232 - USB	RS232 - USB
Ethernet adapter	Net Vision (TCP/IP & SNMP) optional card		
Local communication software	UPS Management software		
Local and remote communication software	Local View ideal UPS monitoring and shutdown point-to-point solution for Windows®, Linux® and Mac OS X® operating systems		
Data line protection	NTP data line suppressor: RJ45 10 Base T		
Environment			
Noise level (normal mode)	< 50 dBA (at 1 metre)	< 50 dBA (at 1 metre)	< 55 dBA (at 1 metre)
Temperature	0÷40 °C (15÷25 °C for optimum battery life)		
Reference standards	EN 62040-1 (safety), EN 62040-2 (EMC)		
Mechanical characteristics			
Dimensions (W x D x H) 2U	440 x 436 x 87 mm	440 x 608 x 87 mm	440 x 608 x 87 mm
Net weight	18 kg	28.2 kg	31.5 kg

1. back-up time at 75 % of the nominal power

Socomec UPS worldwide

IN WESTERN EUROPE IN EASTERN EUROPE, MIDDLE EAST, AFRICA IN ASIA PACIFIC IN AMERICA

BELGIUM
Schaatsstraat, 30 rue du Patinage
B - 1190 Bruxelles
Tel. +32 (0)2 340 02 34
info.ups.be@socomec.com

FRANCE
95, rue Pierre Grange
F - 94132 Fontenay-sous-Bois Cedex
Tel. +33 (0)1 45 14 63 90
dcm.ups.fr@socomec.com

GERMANY
Heppenheimer Straße 57
D - 68309 Mannheim
Tel. +49 (0) 621 71 68 40
info.ups.de@socomec.com

ITALY
Via Leone Tolstoj, 73 - Zivido
20098 San Giuliano Milanese (MI)
Tel. +39 02 98 242 942
info.ups.it@socomec.com

PORTUGAL
Núcleo Empresarial de Mafra II
Av. Dr. Francisco Sá Carneiro, Fracção N
2640-486 Mafra
Tel. +351 261 812 599
info.ups.pt@socomec.com

SPAIN
C/Nord, 22 Pol. Ind. Buvisa
E - 08329 Teià (Barcelona)
Tel. +34 935 407 575
info.ups.sib@socomec.com

THE NETHERLANDS
Duwboot 13
NL - 3991 CD Houten
Tel. +31 (0)30 760 0911
info.ups.nl@socomec.com

UNITED KINGDOM
Units 7A-9A Lakeside Business Park
Broadway Lane - South Cerney
Cirencester - GL7 5XL
Tel. +44 (0)1285 863300
info.ups.uk@socomec.com

OTHER COUNTRIES
Tel. +34 935 407 575
info.ups.europe@socomec.com

UNITED ARAB EMIRATES
LJU-E17 DAFZA
371355 Dubai airport free zone
Dubai (United Arab Emirates)
Tel.: +971 (0) 4 29 98 441
info.ups.ae@socomec.com

POLAND
ul. Mickiewicza 63
01-625 Warszawa
Tel. +48 22 825 73 60
info.ups.pl@socomec.com

ROMANIA
Heliade Intre VII Street no.8, 2 District
023383 Bucharest
Tel. +40 21 319 36 88 (89, 81, 82)
info.ups.ro@socomec.com

RUSSIA
4th Street 8 Marta, 6A, 405
125167 - Moscow
Tel. +7 495 775 19 85
info.ups.ru@socomec.com

SLOVENIA
Savije 89
SI - 1000 Ljubljana
Tel. +386 1 5807 860
info.ups.si@socomec.com

TURKEY
Masuklar Yokusu No:57/2
34357 Besiktas
Istanbul
Tel. +90 212 2580810
info.ups.tr@socomec.com

OTHER COUNTRIES
Tel. +39 0444 598 611
info.ups.emea@socomec.com

AUSTRALIA
Unit 3, 2 Eden Park Drive (Rydecorp)
Macquarie Park NSW 2113
Tel. +61 2 9325 3900
info.ups.au@socomec.com

CHINA
Universal Business Park
B33, Floor 3, 10 Jiuxiangqiao Lu,
Chaoyang, Beijing 100016 P.R., China
Tel. +86 10 59756108
info.ups.cn@socomec.com

INDIA
B1, IInd Floor, Thiru-Vi-Ka-Industrial Estate
Guindy
Chennai - 600 032
Tel. +91 44 3921 5400
info.ups.in@socomec.com

MALAYSIA
31 Jalan SS 25/41- Mayang Industrial Park
47301 Petaling Jaya.- Selangor, Malaysia
Tel. +603 7804 1153
info.ups.my@socomec.com

SINGAPORE
31 Ubi Road 1 #01-00 (Lobby B)
Aztech Building
Singapore 408694
Tel. +65 6506 7600
info.ups.sg@socomec.com

THAILAND
No.9 Soi Vibhavadirangsit 42
Vibhavadirangsit Rd, Ladyao
Chatujak Bangkok 10900
Tel. +66 2 941-1644-7
info.ups.th@socomec.com

VIETNAM
539/23 Luy Ban Bich St.,
Phu Thanh Ward, Tan Phu Dist
Ho Chi Minh City
Tel. +84-839734.990
info.ups.vn@socomec.com

ASIA PACIFIC HEAD OFFICE
Tel. +65 6507 9770
info.ups.apac@socomec.com

LATIN AMERICAN COUNTRIES
Tel. +34 935 407 575
info.ups.sib@socomec.com

HEAD OFFICE

SOCOMECS GROUP
S.A. SOCOMECS capital 11 149 200 € - R.C.S. Strasbourg B 548 500 149
B.P. 60010 - 1, rue de Westhouse - F-67235 Benfeld Cedex

SOCOMECS UPS Strasbourg
11, route de Strasbourg - B.P. 10050 - F-67235 Huttenheim Cedex- FRANCE
Tel. +33 (0)3 88 57 45 45 - Fax +33 (0)3 88 74 07 90
admin.ups.fr@socomec.com

SOCOMECS UPS Isola Vicentina
Via Sila, 1/3 - I - 36033 Isola Vicentina (VI) - ITALY
Tel. +39 0444 598611 - Fax +39 0444 598622
hr.ups.it@socomec.com

SALES, MARKETING AND SERVICE MANAGEMENT

SOCOMECS UPS Paris
95, rue Pierre Grange
F-94132 Fontenay-sous-Bois Cedex - FRANCE
Tel. +33 (0)1 45 14 63 90 - Fax +33 (0)1 48 77 31 12
dcm.ups.fr@socomec.com

YOUR DISTRIBUTOR



www.socomec.com

Non contractual document. © 2012, Socomec SA. All rights reserved.