

# 19" Vertical Wall Mounted Racks



**VM.6904**

## Features

- Maximum mountable depth 800mm
- Secure 4RU rack
- Additional 2RU horizontal mount
- Slimline design
- Vented front metal door
- Cable entry rear, top and bottom
- Earth stud
- Adjustable mounting rails
- Key locked rack

## Standards

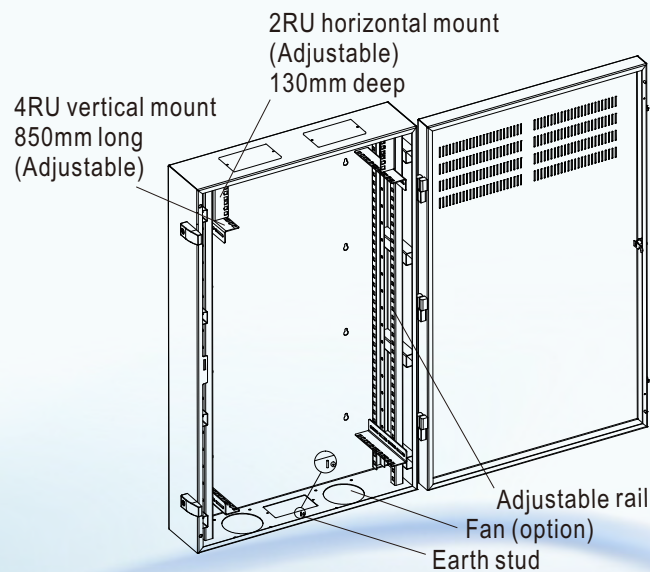
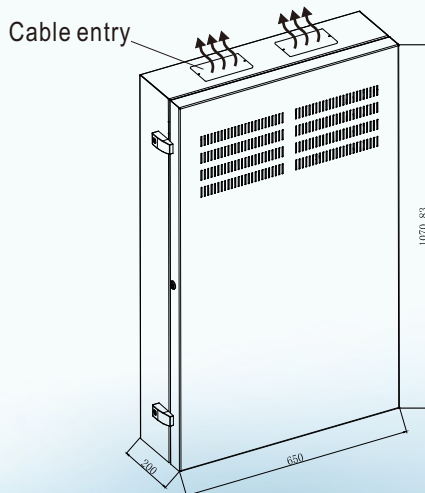
Complies with ANSI/EIA RS-310-D, DIN41497 part 1, IEC297-2, DIN41494 part 7

**Loading capacity - 40KG**

**Degree of protection - IP20**

**Surface finish - Powder coated**

## Main Structure



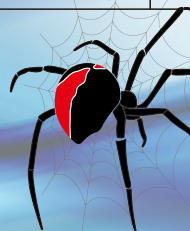
## Specifications

Model	Capacity	Width (mm)	Depth (mm)	Height (mm)	Weight (kg)	Cage Nuts (sets)
VM.6904	4RU/2RU	650	200	1070	29.5	10

Specifications are subject to change without prior notice.



Power Systems Solutions



**REDBACK  
RACKS**