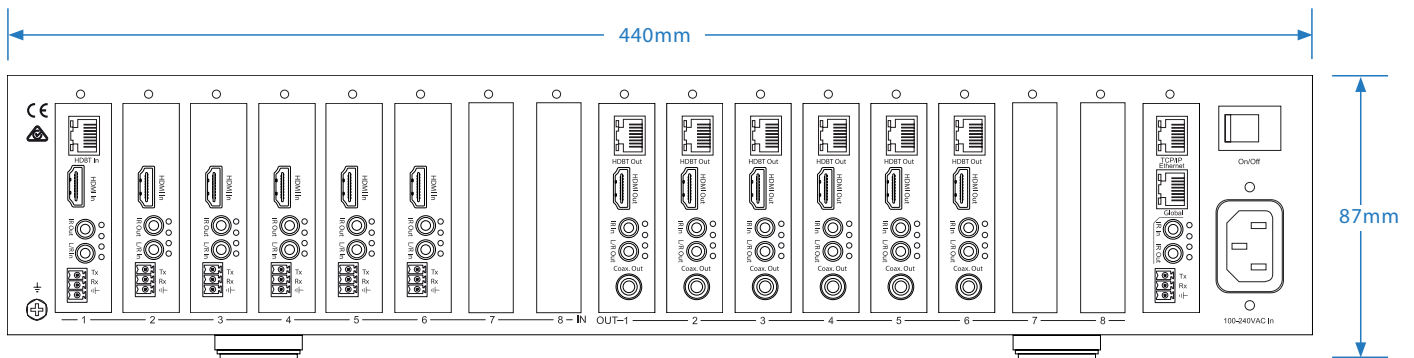


Platinum 6x6 HDBaseT™ Lite Matrix

Description

Our Platinum 6x6 HDBaseT™ Matrix delivers a range of industry leading features. The PLA66L-V2 is a 4K HDCP 2.2 compliant 6x6 matrix, transmitting HDMI, Bi-directional IR and PoH (PoE) up to lengths of 70m over a single CAT cable. The matrix also provides advanced features including independent audio routing, simultaneous HDBaseT™ / HDMI outputs, HDBaseT™ input, RS-232 pass through to enable seamless 3rd party control integration and web interface module for control and configuration of the matrix. The matrix can be configured using the Blustream Software, allowing the user to define audio channels, designate EDID presets and insert audio delays on outputs to correct any lip sync issues within the system.

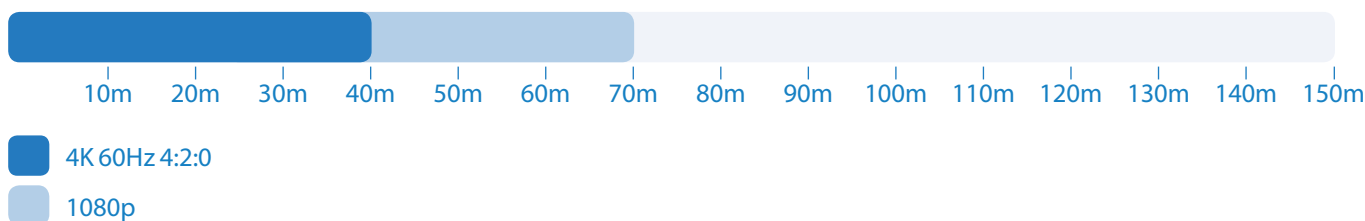


Key Features

- Advanced HDBaseT™ technology offering uncompressed video and audio with zero latency
- Features 6 x HDMI inputs which can be independently routed to 6 x HDBaseT™ & HDMI outputs
- Simultaneous HDBaseT™ and HDMI outputs to allow connection to dual displays per zone
- Input 1 supports Dual HDBaseT™ & HDMI to enable integration of remote HDMI sources up to 70m distance (4K up to 40m)
- Up to 12x12 Audio Matrix independently controllable from video:
 - 6 x independent analogue L/R audio inputs which can be routed to audio outputs or embedded onto HDBaseT™ / HDMI outputs
 - HDMI audio breakout to Coaxial digital and analogue L/R audio outputs with variable pre-amp line level control
- Extends HDMI up to distance of 70m @ 1080P over single CAT cable
- Supports 4K UHD video up to 40m (3840 x 2160 @30Hz 4:4:4, 4096 x 2160 @24Hz 4:4:4, and 4K @60Hz 4:2:0)
- Supports all industry standard video resolutions including VGA-WUXGA and 480i-4K
- Supports 3D signal display
- Supports all known HDMI audio formats including Dolby TrueHD, Dolby Atmos, Dolby Digital Plus and DTS-HD Master Audio transmission
- Web interface module for control and configuration of Matrix
- Supports bi-directional IR from all input and output locations
- Supports bi-directional RS-232 from all input and output locations (with compatible transmitters & receivers)
- Control of Matrix via front panel, IR, RS-232 and TCP/IP
- Supplied with Blustream IR receivers, emitters and RS-232 control cable
- Supports PoH (Power over HDBaseT™) to power compatible HDBaseT™ transmitters & receivers
- 3rd Party drivers available for major control brands
- Advanced EDID management
- HDCP 2.2 compliant
- 2U Design for 19" rack mount integration - rack mounting kit included
- Compatible with (receivers):
 - HEX100ARC-RX (for AV, IR & RS232 pass through only, 70m at 1080p, 40m at 4K)
 - HEX100HDVGA-RX (for audio breakout at receiver, 70m at 1080p, 40m at 4K) - not HDCP 2.2 compliant
 - HEX70ED-RX (RS232 and IR only, 70m at 1080p, 40m at 4K)
 - HEX70B-RX (for IR control only, 70m at 1080p, 40m at 4K)
 - RX70AMP (for audio within zone, 70m at 1080p, 40m at 4K) - not HDCP 2.2 compliant
- Compatible with (transmitters) - input 1 only:
 - HEX100ARC-TX-V2 (for AV, IR & RS232 pass through only, 70m at 1080p, 40m at 4K)
 - HEX100HDVGA-TX (for HDMI or VGA input, 70m at 1080p, 40m at 4K) - not HDCP 2.2 compliant
 - HEX70ED-TX-V2 (RS-232 and IR, 70m at 1080p, 40m at 4K)
 - HEX70B-TX (for IR control only, 70m at 1080p, 40m at 4K)



Transmission Distance via Cat6



Connectivity

- **Video Input Connectors:** 6 x HDMI Type A, 19-pin, female, locking, 1 x HDBase™ RJ45 connector
- **Video Output Connectors:** 6 x HDMI Type A, 19-pin, female, locking, 6 x HDBase™ RJ45 connector
- **Audio Input Connectors:** 6 x 3.5mm stereo jack (L/R)
- **Audio Output Connectors:** 6 x RCA (SPDIF), 6 x 3.5mm stereo jack (L/R)
- **RS-232 serial ports:** 7 x 3-Pin Phoenix connector
- **TCP/IP Control:** RJ45, female
- **Ethernet/Network:** RJ45, female
- **IR Input ports:** 7 x 3.5mm stereo jack
- **IR Output ports:** 7 x 3.5mm mono jack

Specifications

- **Dimensions (W x D x H):** 440mm x 361mm x 87mm
- **Shipping Weight:** 8.8kg
- **Operating Temperature:** 32°F to 104°F (0°C to 40°C)
- **Storage Temperature:** -4°F to 140°F (-20°C to 60°C)
- **Rack-Mountable:** 2U rack height, rack ears included

Control

TCP/IP
RS-232
iOS/android app
IR
Front Panel

RS-232 Connectivity

Baud Rate:	57600
Data Bit:	8-Bit
Parity:	None
Stop Bit:	1-Bit
Flow Control:	None

Included Accessories

IR Accessories	7 x IRE, 7x IRR, 7 x IRCAB
IR Remote	1 x REM88
Rack Mount	2 x 19" Wings
Power Supply	Internal 100-240v AC

Compatible Transmitters

HEX70B-TX
HEX70ED-TX-V2
HEX100ARC-TX-V2
HEX100HDVGA-TX

Regulatory Compliance







Compatible Receivers

HEX70B-RX
HEX70ED-RX
HEX100ARC-RX-V2
HEX100HDVGA-RX
RX70AMP

Blustream cannot be held responsible for errors in typography or photography. Specifications are subject to change without notice.