

BS-633A

WALL MOUNT SPEAKER 6W



The BS-633A is wall mount speaker made of ABS resin and can be hooked or mounted directly on the wall. The push-in type input terminal makes cable connections easy and allows bridge wiring. The input impedance can be easily changed by changing the tap position of the transformer from the rear side of the speaker.

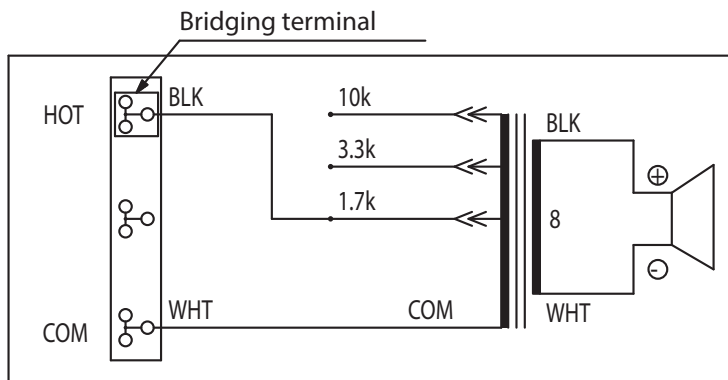
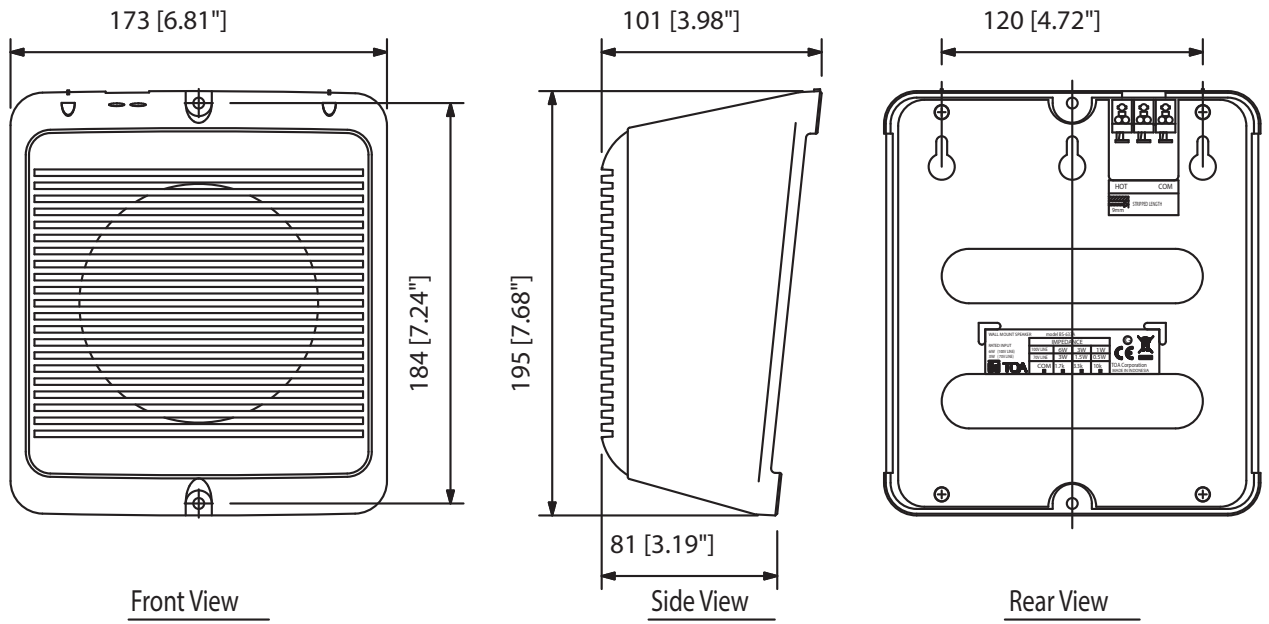
Key features

- Ideally suited for BGM and announcements
- Compact design
- Quick and easy installation
- High cost-effectiveness
- A push-in terminal allows easy cable connections and bridge wiring

Specifications

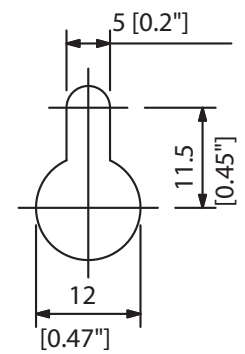
Rated Input	6 W (100 V line), 3 W (70 V line)
Rated Impedance	100 V line: 1.7 k Ω (6 W), 3.3 k Ω (3 W), 10 k Ω (1 W) 70 V line: 1.7 k Ω (3 W), 3.3 k Ω (1.5 W), 10 k Ω (0.5 W)
Sensitivity	91 dB (1 W, 1 m)
Frequency Response	120 - 15,000 Hz (-20 dB)
Speaker Component	12 cm (5") cone-type
Mounting Hole	Case front mount: 184 mm (7.24") Fixing hole mount: 120 mm (4.72")
Cable Requirements	600 V vinyl-insulated cable (IV wire or HIV wire) Solid copper wire: \varnothing 0.8 - \varnothing 1.6 mm (equivalent to AWG 20 - 14) 7-core twisted copper wire: 0.75 - 1.25 mm ² (equivalent to AWG 18 - 16)
Connection	Push-in connector (bridging terminal)
Operating Temperature	-10# to +50# (14# to 122#)
Finish	Case: ABS resin, off-white Rear board: Hard board
Dimensions	173 (W) x 195 (H) x 101 (D) mm (6.81 x 7.68" x 3.98")
Wall Mounting Dimensions	Case front mount: 184 mm (7.24") Fixing hole mount: 120 mm (4.72")
Weight	780 g (1.72 lb)
Included Accessories	Speaker mounting screw (4 x 35 (0.16 x 1.38") ... 2

Dimensions



(Transformer connection when the speaker is supplied from the factory)

(Note) Use transformer terminals when changing input impedance.



Fixing Hole
(scale: 1/1)

UNIT:mm

SCALE:1/4

A&E specifications

The speaker shall be a 5" (12cm) cone-type speaker suitable for wall mounting. Cable connection shall be by means of a push-in connector (bridging terminal). The speaker shall include a transformer having multiple taps (1W, 3W, 6W at 100V and 0.5W, 1.5W, 3W at 70V) adjustable. The output sound pressure level at a distance of 1m with a 1W input level applied shall be 91 dB SPL. The speaker shall have a frequency response of 120 – 15,000Hz (-20dB). The speaker enclosure shall be constructed of ABS resin. The speaker shall be available in off-white colour. The unit shall have dimensions of 173 (W) x 195 (H) x 101 (D) mm (6.81" x 7.68" x 3.98"), and a weight of 780g (1.72 lbs.).

The speaker shall be a TOA model BS-633A.