

Product Guide

C 0887 130mm (5") 100V 10W Coaxial Flush Mount Speaker



C 0887 Vandal Resistant Flush Mount Coaxial Speaker

- ✓ Vandal resistant design.
- ✓ Steel front panel with diecast enclosure.
- ✓ 2 way coaxial speaker driver
- ✓ Tamper resistant torx scw fasteners.
- ✓ Enclosed transformer and magnet.
- ✓ High quality speaker driver developed for BGM, paging and emergency warning applications.
- ✓ Fitted with 4 way wire protect terminal block for loop in, loop out wiring as required by Australian Standards.
- ✓ Fitted with supervisory capacitor for line monitoring.
- ✓ Neutral RAL9016 powdercoated finish.



Application

Designed to withstand the physical abuse of vandals, this speaker is ideal for installation in prisons, train stations, bus stations, pedestrian malls, etc. The transformer and magnet are enclosed, providing superior protection from damage & debris.

About Redback® Speaker Drivers

Each custom designed speaker and transformer combination has been specifically engineered to ensure a wide frequency range and dispersion angle, plus a high sound pressure level (SPL) ensuring excellent music and speech intelligibility; which is critical for emergency paging applications.

Each transformer is fitted with multiple power tapings which are selected via the tabs on the internal transformer.

Installation Guidelines

Access to the 130mm coaxial speaker driver and transformer settings requires the use of a torx bit. This measure minimises unauthorised tampering and/or theft.

The neutral white RAL colour of C 0887 provides an architecturally unobtrusive finish to virtually any installation.

The adjustable mounting bracket suits ceiling thicknesses between 4 and 35mm. While the transformer is fitted with a 4 way wire protect screw terminal block & 22 μ F bipolar capacitor for line monitoring purposes.

Testing

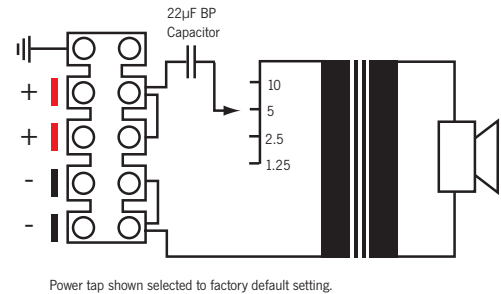
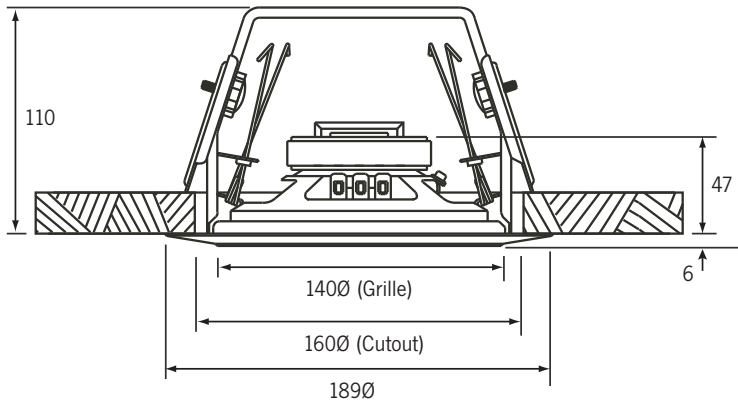
Redback® drivers are engineered and manufactured to stringent specifications ensuring maximum reliability under all operating conditions. Each driver has a power rating well above the max tapping of the transformer, ensuring reliable operation and excellent longevity. A strict quality control procedure is employed during every step of the manufacturing process. Finally, every finished speaker is 100% QC checked prior to shipping.

Product Guide

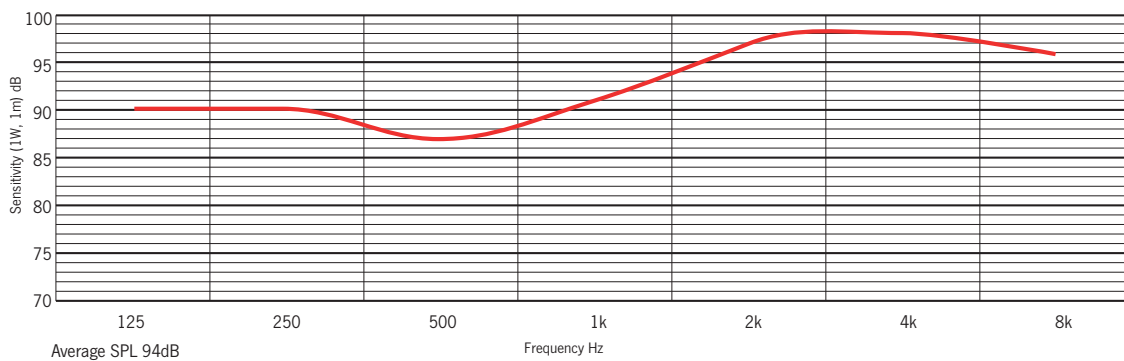
C 0887 130mm (5") 100V 10W Coaxial Flush Mount Speaker



Dimensions & Transformer Detail



Frequency Response (SPL 1W @ 1m)



Specifications

Electrical

Power taps:	1.25, 2.5, 5, 10W
SPL 1W @ 1m:	94dB @ 1kHz (+/- 2dB)
SPL Max:	102dB @ Full power octave bandwidth
Frequency response:	70Hz - 17.5kHz
Dispersion (1kHz/2kHz):	180° / 180°
Directivity Q Factor (1kHz/2kHz):	2.3 / 4.6
Connection:	5 way terminal block + 22uF bipolar capacitor

Mechanical

Ceiling cutout:	160mm
Grille diameter:	140mm (overall diameter 189mm)
Mounting depth:	98mm (including ceiling tile thickness)
Grille material:	Steel mesh grille
Outer construction:	Steel front surround
Driver construction:	Polypropylene woofer, mylar dome tweeter
Overall weight:	1.0kg
Colour:	White powdercoat (RAL 9016)

Environmental

Operating temperature:	-15°C to +60°C
------------------------	----------------

Architect Specifications

The ceiling flush mount speaker shall have a coaxial 130mm speaker driver which shall operate at 100V and have power taps of 10W, 5W, 2.5W and 1.25W. The speaker surround shall be made of steel and shall be secured with tamper proof allen key head screws. The speaker surround shall be vandal resistant. It shall be fitted with a 4 way wire protect terminal block for connection and 22uf bipolar capacitor for line monitoring. The speaker grill will be perforated metal. The ceiling flush mount speaker shall be a Redback model C 0887.