

Product Guide**C 2059** 40W 100V Line IP65 Rated Horn Speaker**C 2059** 40W Weatherproof Horn Speaker

- ✓ Tough UV stabilised high impact ABS construction
- ✓ Durable powdercoated mounting bracket
- ✓ Zinc plated bolts & fixings
- ✓ Exceptional speech reproduction
- ✓ Selectable power taps
- ✓ Uses a high efficiency driver and line transformer
- ✓ Suitable for indoor or outdoor use
- ✓ Includes rotary switch for easy power tap selection
- ✓ High 128dB SPL forceful and effective sound penetration

**Application**

This Redback® sound projector is made from strong UV stabilised ABS plastic with a perforated metal grille.

Its wide dynamic range facilitates use with both paging and background music applications eg: sports stadiums, train station platforms, shopping centres, aquatic arenas, etc.

Installation Guidelines

The C 2059 is a 100V line horn speaker designed for direct connection to a commercial amplifier with 100V output. It is fitted with a 600mm twin core cable. The power tap on the transformer is selected by a rotary switch on the rear of the housing.

The speaker is supplied with a zinc plated bracket and fixings ensuring rust-free performance even in harsh environments.

The neutral grey RAL colour of C 2059 provides an architecturally unobtrusive finish to virtually any installation.

About Redback® Speaker Drivers

Each custom designed speaker and transformer combination has been specifically engineered to ensure a wide frequency range and dispersion angle, plus a high sound pressure level (SPL) ensuring excellent music and speech intelligibility; which is highly desirable.

Redback® drivers exhibit optimum frequency response and efficiency for BGM, paging and EWIS applications. The transformers are wound on professional grade grain oriented steel cores for high efficiency and extended frequency response.

Each transformer is fitted with multiple power tapings which are selected via a tab on the top of the transformer.

Testing

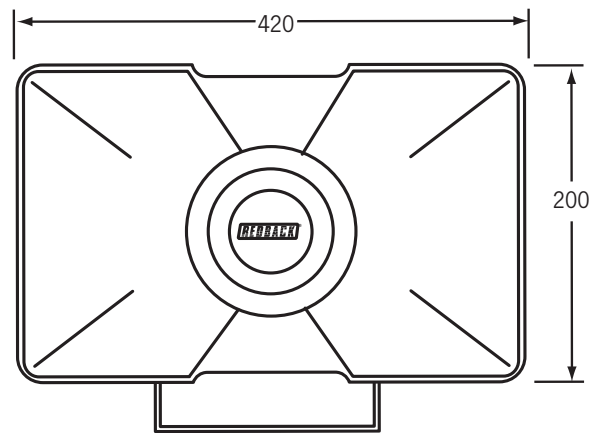
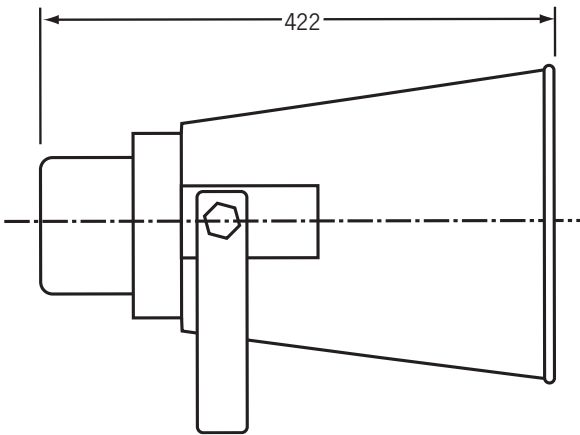
Redback® drivers are subject to strenuous factory testing reducing the risk of unit failure or performance reduction over time. Each driver has a power rating well above the max tapping of the transformer, ensuring reliable operation and excellent longevity.

Product Guide

C 2059 40W 100V Line IP65 Rated Horn Speaker



Dimensions & Transformer Detail



Specifications

Electrical

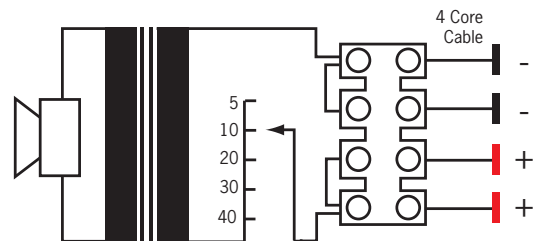
Power taps:	5, 10, 20, 30W and 40W
SPL 1W @ 1m:	112dB @ 1kHz (+/- 2dB)
SPL full power @ 1m:	128.5dB @ 1kHz (+/- 2dB)
Frequency response:	180Hz-7kHz
Transformer impedance:	2kΩ / 1kΩ / 500Ω / 330Ω / 250Ω
Connection:	Bare wire

Mechanical

Driver construction:	Voice coil wound on aluminium bobbin
Housing construction:	ABS
Dimensions:	400 x 200 x 420mm
Overall weight:	3.9kg

Architect Specifications

The horn speaker shall operate at 100V and have power taps of 40W, 30W, 20W, 10W and 5W. Power settings shall be made by inbuilt selector switch. It shall have SPL of 112.5 to 128.5dB. It shall have a frequency response of 180Hz to 7 kHz. The speaker body shall be made of ABS and have an IP65 rating. The horn speaker shall be a REDBACK model C 2059.



Frequency Response

