

Cabinet Locks

Convenient and Secure Locking Solution



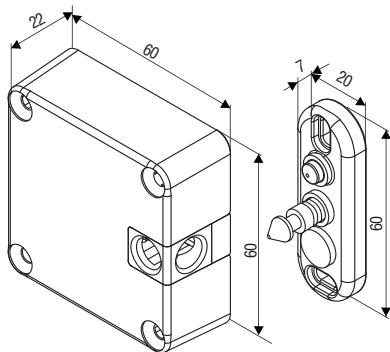
CK150



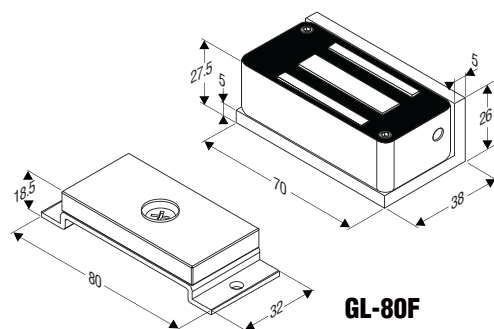
GL-80F

GEM Cabinet Locks are compact and consume little energy. The CK150 Cabinet Lock is motor operated and includes lock and door status monitoring outputs. The GL-80F Mini Electromagnetic Lock has a stainless steel housing and provides 80 lbs. of holding force for small access control applications.

	CK150 Cabinet Lock	GL-80F Mini Electromagnetic Lock
Voltage	12~24VAC/DC	12 or 24 VDC
Current Draw	Holding: 10mA/12VDC, 10mA/24VDC Pull in: 70mA/12VDC, 70mA/24VDC	Holding: 69mA/12VDC, 69mA/24VDC Pull in: 165mA/12VDC, 165mA/24VDC
Mode	Fail-secure	Fail-safe
Operation	Motor	Electromagnetic mechanism
Spring Door Open Release	•	—
Monitoring Output	Door status output, 1/125VAC (NC/COM/NO)	Bond sensor output (option), NC/COM
Relock Time Delay	•	—
Force	Anti-pulling force 220 lbs (100kg)	Holding force 80 lbs (36kg)
Housing	Polyamide	Stainless steel
Applications	<ul style="list-style-type: none"> • Can be fitted to drawers, filing cabinets, drug cabinets, gym lockers • Various mounting positions • Compatible with existing keypads or readers • Can be integrated with access control system 	



CK150



GL-80F

All dimensions in mm

Warranty

The product is warranted against defects in material and workmanship while used in normal service for a period of 3 years from the date of sale to the original customer. The GEM policy is one of continual development and improvement; therefore GEM reserves the right to change specifications without notice.

