

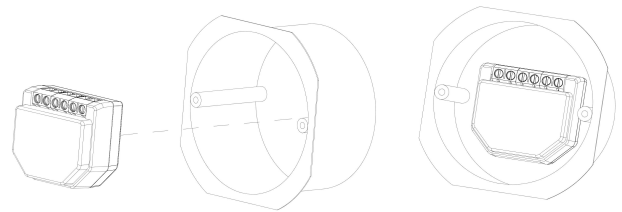
DHI-DEE201R

Access Control Extension Module



- Controls the lock switch.

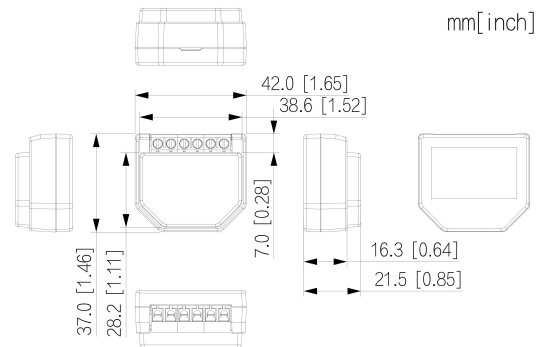
Installation



Technical Specification

Port	
Power Output	20 VDC/4 A (maximum instantaneous current)
Performance	
Casing Material	PC + ABS
General	
Appearance Color	White
Power Supply	12 VDC/300 mA
Installation	Flush Mount
Certifications	CE
Product Dimensions	42 mm × 37 mm × 21.5 mm (1.65" × 1.46" × 0.85") (L × W × H)
Operating Temperature	-10 °C to +55 °C (14 °F to +131 °F)
Operating Humidity	10%–95% (RH)
Operating Altitude	0 m–3000 m (0 ft–9842.52 ft)
Storage Temperature	0 °C to 40 °C (+32 °F to +104 °F)
Storage Humidity	30%–75%

Dimensions (mm[inch])



Application

