**Voxie****40540 - 40542 - 40540.D**

Voxie Due Fili Plus handset entryphone

40547

Voxie Due Fili Plus hands-free entryphone

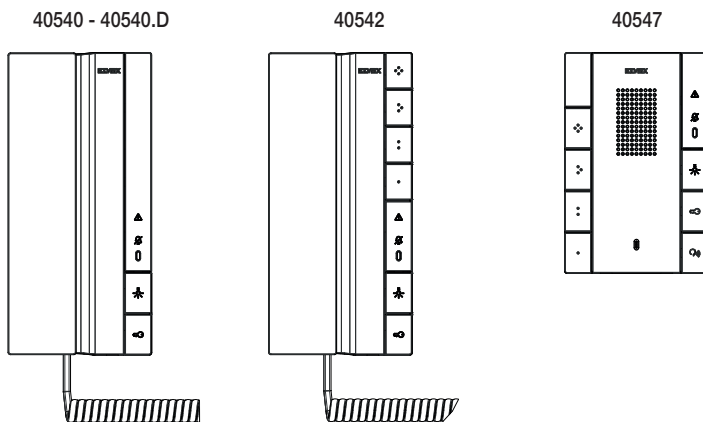
Index

General information	2
Warnings and advice	2
Technical functions	4
Technical data	5
Dimensional data	5
Handset entryphone 40540 - 40542 - 40540.D	
• Keys and status LEDs (Front view)	6
• Internal view (entryphone open)	7
Hands-free entryphone 40547	
• Keys and status LEDs (Front view)	8
• Internal view (entryphone open)	9
Installation	10
Wiring diagrams	14
Operation	16
• Answering a call	17
• Lock release	18
• Calling an Indoor Station (Intercom)	19
• Calling a Reception Switchboard	20
• "Professional firm" function, for automatic lock release	21
• "General" apartment intercom call (only for 40542 and 40547 by default)	21
• "Paging": Sending a one-way public paging announcement to other hands-free devices in the same group (only for 40542 and 40547)	21
• "Alert" function with dedicated input on terminals AL-M (only for 40542 and 40547)	21
User configurations	
• Choice of call ringtone melodies (only for entryphone 40547)	22
Configurations	24
"Simplified" programming via entryphone push buttons	24
• Identification code programming	25
• Secondary identification code programming	26
• Programming push buttons for intercom calls (excluding the lock release button)	27
• Programming the self-start push button to a specific entrance panel (excluding the lock release button)	28
• Programming the lock release button of a specific entrance panel (excluding the lock release button)	29
• Restoring default values of push buttons	30
• Deleting all programmed settings	31
Dip switch configuration mode	33
Firmware updating	39
Rules - Regulatory compliance	40

40540 - 40542 - 40540.D - 40547

General information

Voxie entryphone for Due Fili Plus system.



- 40540** Voxie handset entryphone for Due Fili Plus system with 2 push buttons for door lock release and auxiliary service (stair light) functions, surface mounting
- 40542** Voxie handset entryphone for Due Fili Plus system with 6 push buttons for door lock release and auxiliary service (stair light) functions, 4 programmable push buttons for auxiliary functions and services, surface mounting
- 40540.D** Voxie handset entryphone for Due Fili Plus system with 2 push buttons for door lock release and auxiliary service (stair light) functions, teleloop for hearing aids, surface mounting
- 40547** Voxie hands-free entryphone for Due Fili Plus system with 7 push buttons for answer, door lock release and auxiliary service (stair light) functions, 4 programmable push buttons for auxiliary functions and services, surface mounting

Warnings and advice

Audio frequency function for hearing aids - Teleloop (Only for 40540.D e 40547)



The video entryphone can be used by people wearing hearing aids.

For correct functioning of the hearing aid, please refer to its instruction manual.

Any metal objects or electronic equipment in the vicinity may affect the quality of the sound received by the hearing aid.

Maintenance

Clean using a soft cloth.

Do not pour water onto the appliance and do not use any type of chemical product.

Warnings for the user

Do not open or tamper with the appliance.

In the event of faults, contact specialized personnel.

For installation, refer to the instruction sheet in the package.

40540 - 40542 - 40540.D - 40547

Technical functions

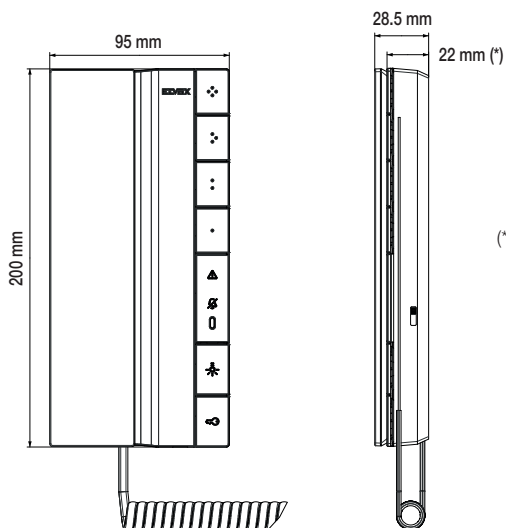
<i>Function description</i>	40540	40540.D	40542	40547
• Surface mounting entryphone	✓	✓	✓	✓
• Possibility of table mounting via desktop base accessory 40598	✓	✓	✓	✓
• Due Fili Plus system (only vertical bus)	✓	✓	✓	✓
• Lock release push button	✓	✓	✓	✓
• Push button for auxiliary services (Stair light)	✓	✓	✓	✓
• Talk/Listen push button to activate/deactivate audio communication	-	-	-	✓
• 4 additional configurable push buttons	-	-	✓	✓
• Differentiated ringtone for entrance panel, landing and intercom calls.	✓	✓	✓	✓
• Choice of call ringtone melodies (10 melodies). <i>Configurable via configuration software or using the device keys directly.</i>	-	-	-	✓
• Call ringtone and acoustic signalling volume control on three levels plus muting selector	✓	✓	✓	✓
• Talk volume control via selector on the side of the entryphone	-	-	-	✓
• Two-level talk volume control, normal and high, via internal jumper accessible during installation	✓	✓	✓	-
• Switchboard calls	✓	✓	✓	✓
• "Professional firm" function, automatic lock release on receipt of a call from entrance panel (only if enabled via configuration software or via dip switch) with random activation time	✓	✓	✓	✓
• "General" apartment intercom call (only for 40542 and 40547); mutually exclusive with Paging.	-	-	✓	✓
• Alert Function: - to terminals FP-M; configurable via configuration software - with dedicated input on terminals AL-M (only for 40542 - 40547); configurable via configuration software or via device dip switch	✓	✓	✓	✓
• Lock release control configurable to a specific outdoor station.	✓	✓	✓	✓
• Shared landing: to activate the landing call on all devices in the same group (only if programmed using the configuration software)	✓	✓	✓	✓
• "Paging": Sending a one-way public paging announcement to other hands-free devices enabled in the same group, in a single island (only if programmed using the configuration software or via dip switch); mutually exclusive with general intercom call. <i>The "Paging" public announcement receipt function is only possible on hands-free entryphones (40547).</i>	-	-	✓	✓
• Audio frequency function for hearing aids (Teleloop)	-	✓	-	✓

40540 - 40542 - 40540.D - 40547

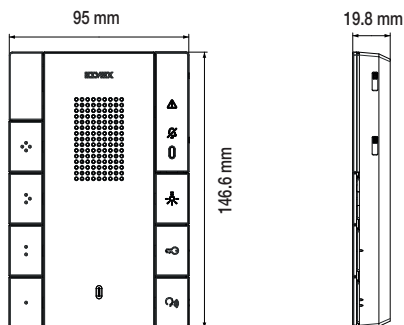
Technical data

- Absorption in standby 10 mA; maximum current 100 mA (40540, 40542, 40540.D), 140 mA (40547)
- Power supply: from BUS terminals 1, 2 - rated voltage 28VDC
- Ambient class: Class A1 (indoor use)
- IP30 protection degree
- Operating temperature: (-5 °) – (+40) °C (indoor use)
- Operating environment humidity: 10 / 80% (non-condensing)

Dimensional data



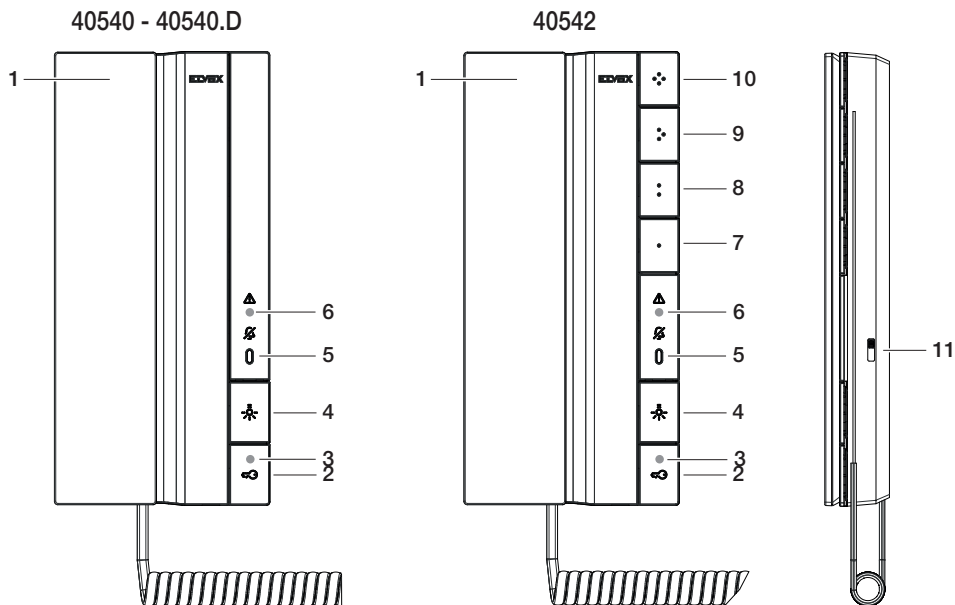
(*) Thickness of the device with the handset raised.



40540 - 40542 - 40540.D - 40547

Handset entryphone 40540 - 40542 - 40540.D

Keys and status LEDs (Front view)



1 - Handset

Buttons (Default functions) and signals:

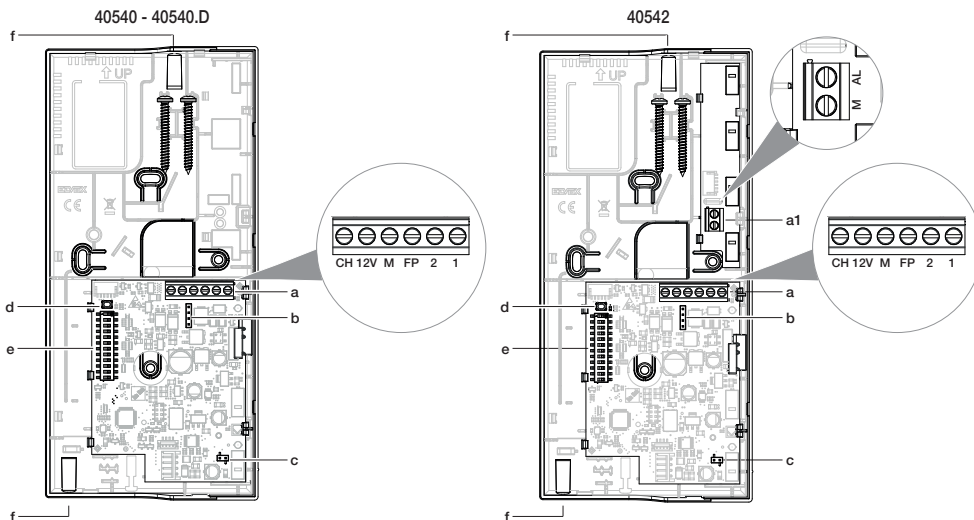
- 2 - Door Opening (Lock): it activates the outdoor station lock; with the handset released outside a conversation, it makes a call to the switchboard.
- 3 - Signalling (white LED):
 - **incoming call**, flashing (0.5 s on 0.5 s off).
 - **door open**, permanently lit.
 - **automatic lock release active**, brief flashing (0.2 s on / 4.8 s off).
 - **door open and automatic lock release active**, permanently lit with short power-off (0.2 s off / 4.8 s on).
- 4 - Auxiliary activation (stair light): it activates the first relay of the Due fili system (Aux 1).
- 5 - Ringtone volume indicator: Ringtone mute / Level 1 / Level 2 / Level 3.
- 6 - Signalling (red LED):
 - **First start-up**, or when power is restored, flashing for approximately 15 sec.
 - **Alert**, rapid flashing (0.1 s on 0.1 s off).
 - **missed call from switchboard**, permanently lit with short power-off (9.8 s on 0.2 s off).
- 7 - Push button 1: it activates the second relay of the Due fili system (69RH/ 69PH).
- 8 - Push button 2: "General" apartment intercom call.
- 9 - Push button 3: F1 last entrance panel called.
- 10 - Push button 4: F2 last entrance panel called.
- 11 - Call ringtone volume and signal tone control, on three levels plus muting. The ringtone and signal tone muting does not disable the CH output.

Note: the functions associated with the , , , , ,  push buttons can be modified via programming, to perform other auxiliary functions or intercom calls.

40540 - 40542 - 40540.D - 40547

Handset entryphone 40540 - 40542 - 40540.D

Internal view (entryphone open)



a - Connection terminal block

Terminals	Description
1, 2	Due Fili Plus Bus
FP	"Local Landing Call" input (reference to terminal M).
M	Earth reference.
12V	12V (100 mA max): call repetition power supply.
CH	"Call repetition" output (open-collector, 24 V max)

Note: the maximum connection distance to the terminals, except for the Due Fili Plus bus, is 10m.

N.B.: the functions associated with the LC "Local Landing Call" input and the CH Open Collector output can be modified via programming. For the functions which can be activated, please refer to the configuration software use and configuration manual.

a1 - Contact connection terminals (N.O. by default/N.C. configurable with the configuration software) for Alert function (only for 40542); reconfigurable to activate the "professional firm" function (only N.O.)

b - Due Fili Plus bus termination (ABC jumper)

SWITCH TABLE	
	A = The BUS cable enters terminals 1, 2 and continues to another indoor station
	B = The BUS cable with a characteristic impedance of 100 Ohms (Elvox 732I or 732H cable) enters terminals 1, 2 and the riser stops in the indoor station
	C = The BUS cable with characteristic impedance of 50 Ohms (Cat. 5 or Cat. 6 twisted pair cable) enters terminals 1, 2 and the riser stops in the indoor station

c - Talk volume control in the handset:

- Standard Volume (Default): Jumper inserted
- Volume increased: Jumper not inserted

d - "Config" button: for Dip switch configuration mode

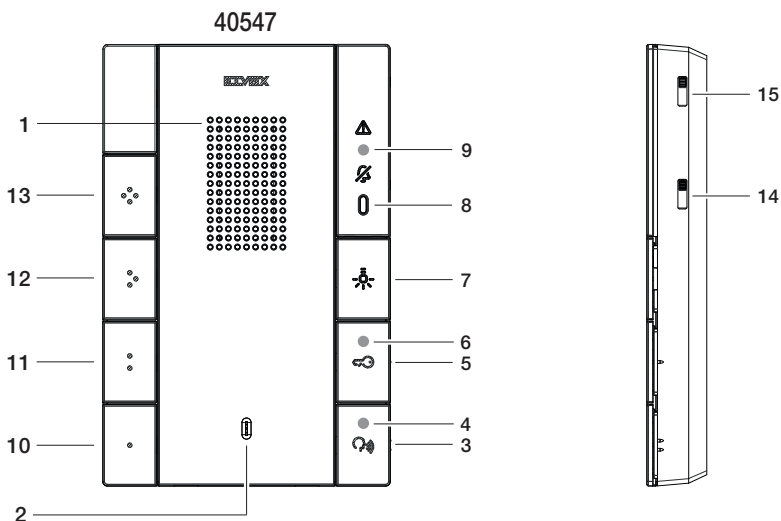
e - Configuration Dip switch

f - Pre-arranged for through holes for connecting the raceway to the wall.

40540 - 40542 - 40540.D - 40547

Hands-free entryphone 40547

Keys and status LEDs (Front view)



- 1 - Speaker.
2 - Microphone.

Buttons (Default functions) and signals:

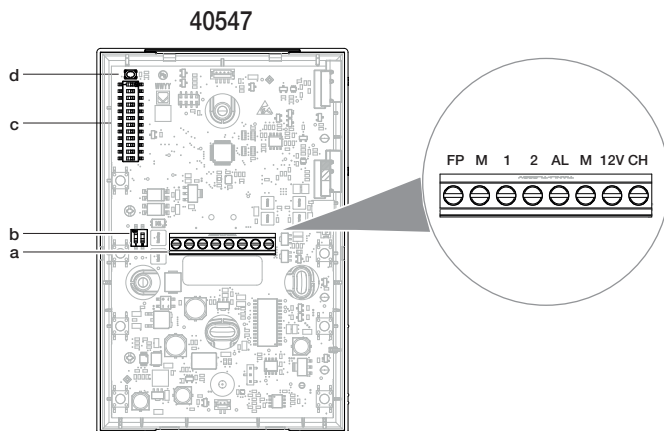
- 3 - **Talk/Listen**: activates audio communication; when pressed on stand-by followed by the lock release button, it calls the switchboard.
- 4 - Signalling (white LED):
• **conversation in progress**, permanently lit;
• **mute**, flashing when push button 2 is pressed during a conversation.
• on stand-by, it flashes after the talk/listen button has been pressed pending the lock release button to call the switchboard;
- 5 - **Door Opening (Lock)**: it activates the outdoor station lock; on stand-by, if followed by the talk/listen button, it sends the call to the switchboard.
- 6 - Signalling (white LED):
• **incoming call**, flashing (0.5 s on / 0.5 s off).
• **door open**, permanently lit.
• **automatic lock release active**, brief flashing (0.2 s on / 4.8 s off).
- 7 - **Auxiliary activation (stair light)**: it activates the first relay of the Due fili system (Aux 1).
- 8 - Ringtone volume indicator: Ringtone mute / Level 1 / Level 2 / Level 3.
- 9 - Signalling (red LED):
• **First start-up**, or when power is restored, flashing for approximately 15 sec.
• **Alert**, rapid flashing (0.1 s on / 0.1 s off).
• **missed call from switchboard**, permanently lit with short power-off (9.8 s on / 0.2 s off).
- 10 - Push button 1: it activates the second relay of the Due fili system (69RH/ 69PH). (*)
- 11 - Push button 2:
• On stand-by, **"General" apartment intercom call**.
• During a conversation, **Mute** (excludes the entryphone microphone, the speaker remains active).
- 12 - Push button 3: **F1** last entrance panel called.
- 13 - Push button 4: **F2** last entrance panel called.
- 14 - **Call ringtone volume control** on three levels plus muting. Ringtone muting does not disable the CH output.
- 15 - **Talk volume control** on four levels; (N.B.: there is no muting). The adjustment affects the speaker volume and not the microphone.

Note: the functions associated with the , , , , ,  push buttons can be modified via programming, to perform other auxiliary functions or intercom calls.

40540 - 40542 - 40540.D - 40547

Hands-free entryphone 40547

Internal view (entryphone open)






a - Connection terminal block

Terminals	Description
FP	"Local Landing Call" input (reference to terminal M)
M	Earth reference
1	Due Fili Plus Bus
2	
AL	Input for contact connection (N.O. by default/N.C. configurable with the configuration software) for Alert function; reconfigurable to activate the "professional firm" function (only N.O.); Reference to terminal M
M	Earth reference
12V	12V (50 mA max): call repetition power supply.
CH	"Call repetition" output (open-collector, 24 V max)

Note: the maximum connection distance to the terminals, except for the Due Fili Plus bus, is 10m.

N.B.: the functions associated with the LC "Local Landing Call" input and the CH Open Collector output can be modified via programming. For the functions which can be activated, please refer to the configuration software use and configuration manual.

b - "Due Fili Plus Bus Termination" dip switch

SWITCH TABLE	
	A = The BUS cable enters terminals 1, 2 and continues to another indoor station
	B = The BUS cable with a characteristic impedance of 100 Ohms (Elvox 732I or 732H cable) enters terminals 1, 2 and the riser stops in the indoor station
	C = The BUS cable with characteristic impedance of 50 Ohms (Cat. 5 or Cat. 6 twisted pair cable) enters terminals 1, 2 and the riser stops in the indoor station

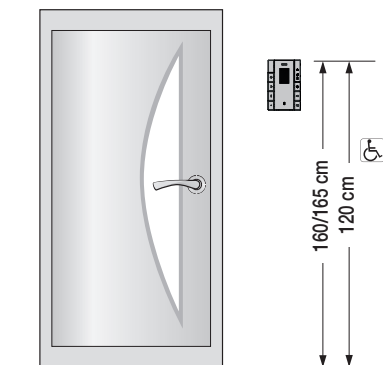
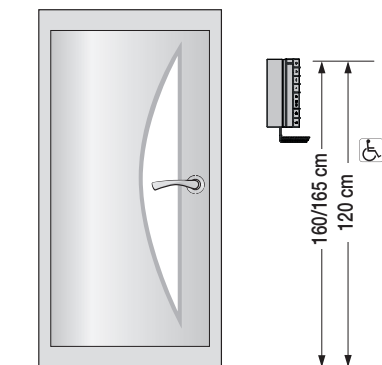
c - Configuration Dip switch

d - "Config" button: for Dip switch configuration mode

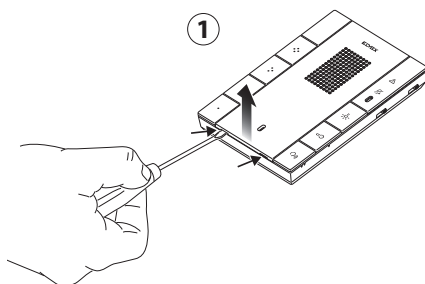
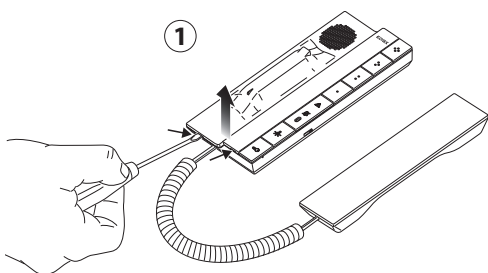
Installation

Installation height

- Recommended height, unless different regulations are specified.



Entryphone opening



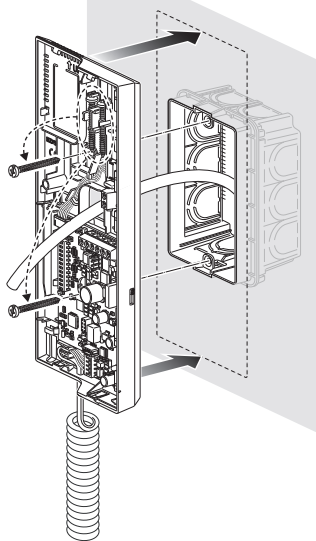
Installation possibilities

- Surface mounting with screws (supplied) and wall plugs (not included).
- Installation in mounting box:
 - Round mounting box (Vimar V71701)
 - Vertical rectangular mounting box with 3 modules (Vimar V71303, V71703).
 - British standard square mounting box.
- Table mounting: with desktop base accessory 40598

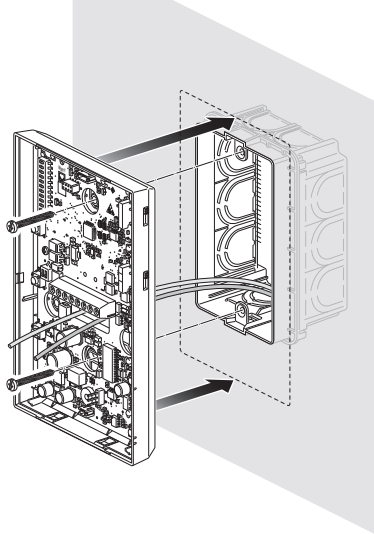
Installation possibilities

- Surface mounting with screws (supplied) and wall plugs (not included).
- Installation in mounting box:
 - Round mounting box (Vimar V71701)
 - Vertical rectangular mounting box with 3 modules (Vimar V71303, V71703).
 - British standard square mounting box.
- Table mounting: with desktop base accessory 40598

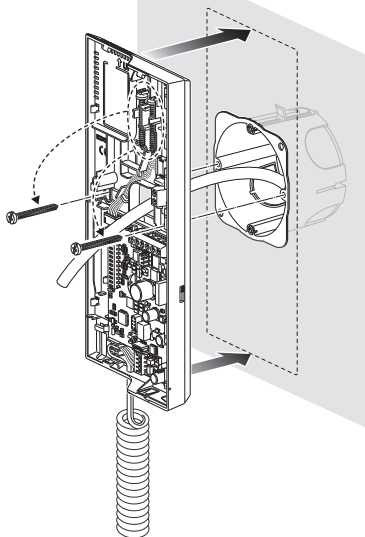
2A



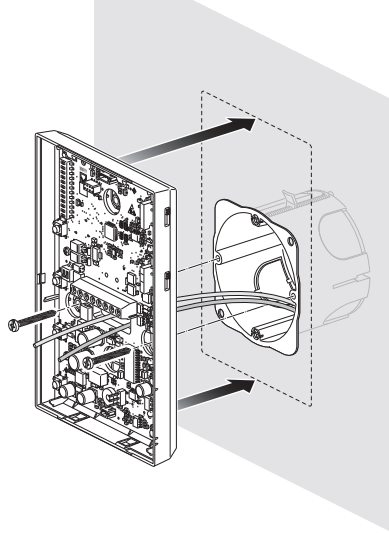
2A



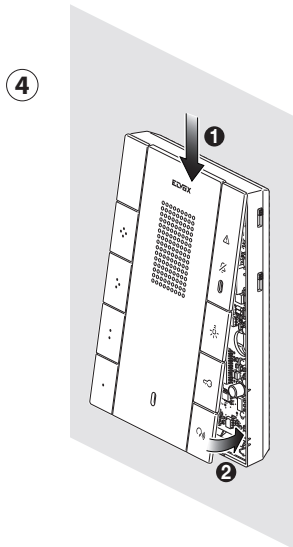
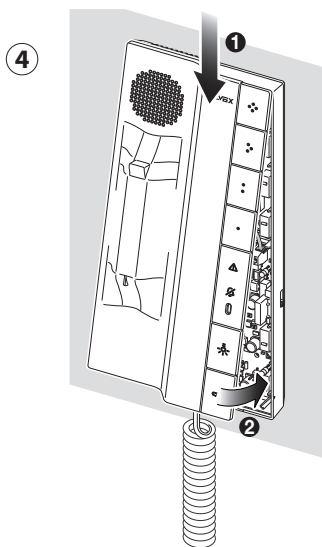
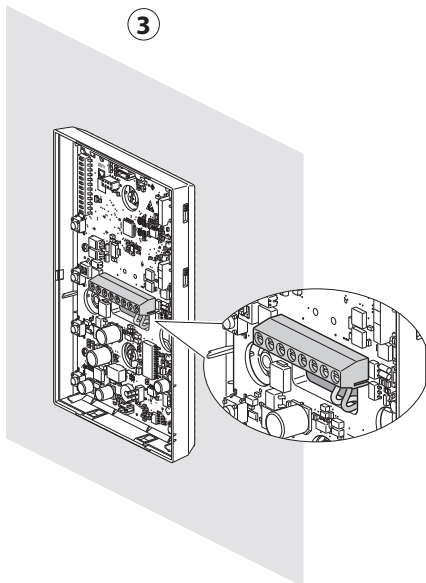
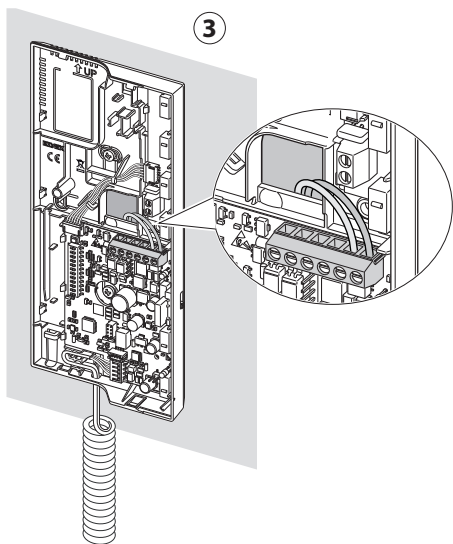
2B



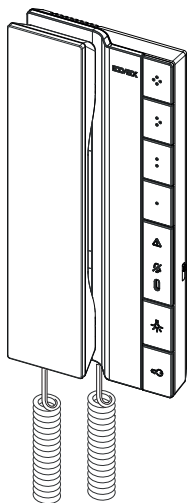
2B



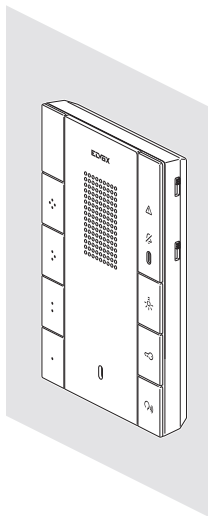
Note: Excessive tightening can cause imperfections in the alignment and operation of the buttons.



5

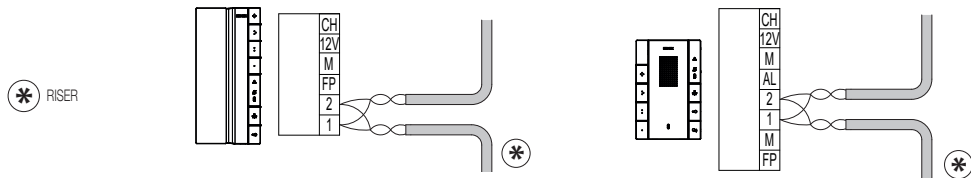


5

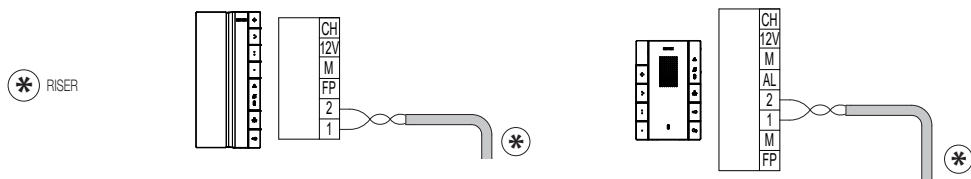


Wiring diagrams

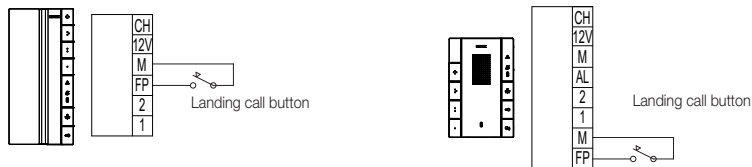
- Indoor station in in/out configuration



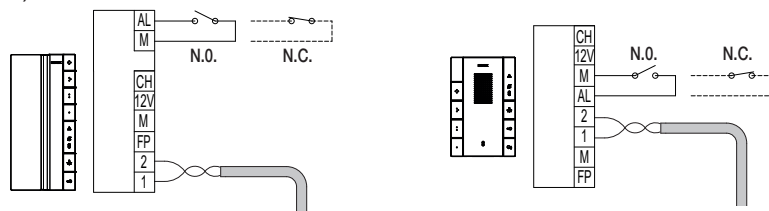
- Indoor station in terminal configuration



- Connecting the landing push button (NO contact)

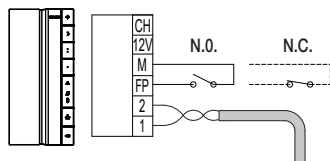


- Alert function connection, via input dedicated to terminals AL-M (NO/NC contact; default: NO);
(Only for 40542 and 40547)



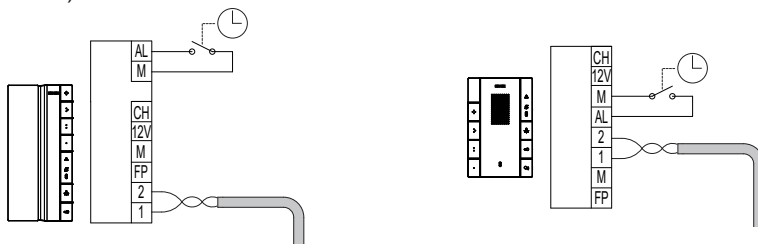
• Configurable via configuration software

- FP-M input connection variant, for Alert function (NO/NC contact; default: NO)



40540 - 40542 - 40540.D - 40547

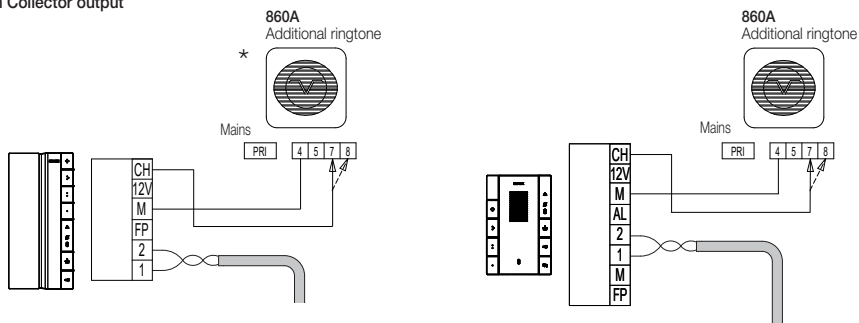
- "Professional firm" function connection, activation in time bands via N.O. contact of a clock;
 (Only for 40542 and 40547)



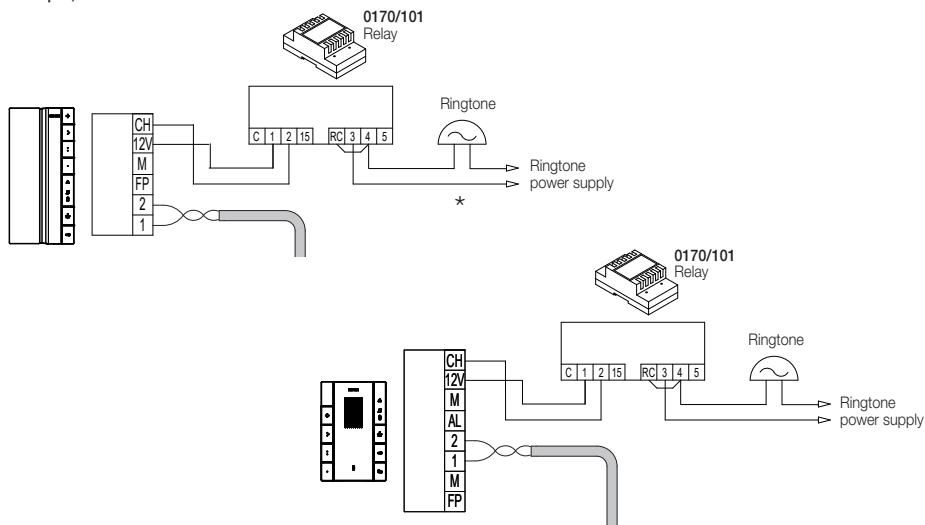
- Configurable via configuration software or dip switch

- Variant for connecting the programmable output (Repeat call)

- Open Collector output



- 12 V output, 100 mA



* N.B.: the ringtone volume adjustment has no effect on the volume of the additional ringtone (Repeat call).

40540 - 40542 - 40540.D - 40547

Operation

The "Voxie" entryphone is designed to receive calls from Outdoor Stations, Indoor Stations and the Reception switchboard.

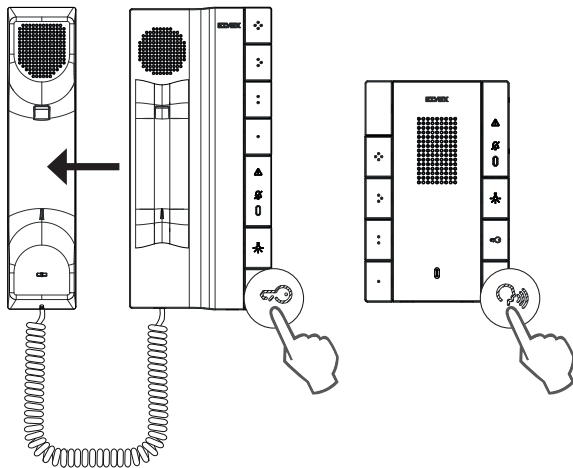
It can also make intercom calls to other Indoor Stations and the Reception Switchboard.

The lock of the Outdoor Station can be released using the dedicated button.

One or more programmable buttons **programmable (depending on the model)** are also available to activate other functions such as relay actuation or intercom calls.

Functions

For the operation of the video entryphone, the ID identification must be configured. To check whether an ID has been allocated to the video entryphone, proceed as follows:



beep

ID assigned

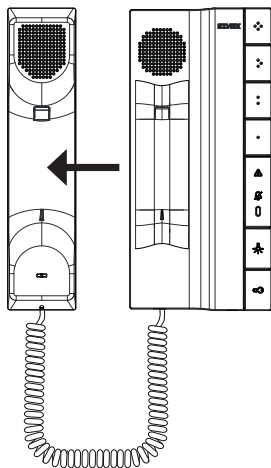
beep beep beep

ID not assigned or deleted

In stand-by, press any of the keys.

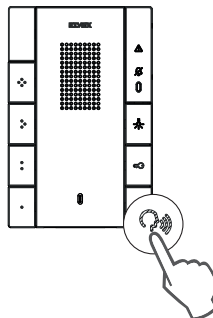
Answering a call

On receipt of a call, the white LED (located above the lock button) flashes;



Lift the handset and answer the call.

Replace the handset to end the call.



Press the Talk/Listen button to answer the call.

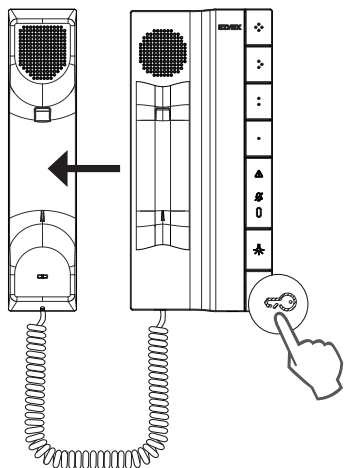
Press again to end the call.

40540 - 40542 - 40540.D - 40547

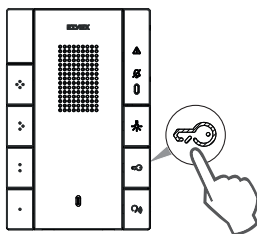
Lock release

After answering a call from an outdoor station, the release of the lock on the connected outdoor station can be operated.

The lock can also be released in stand-by.



Press the Lock button



Press the Lock button

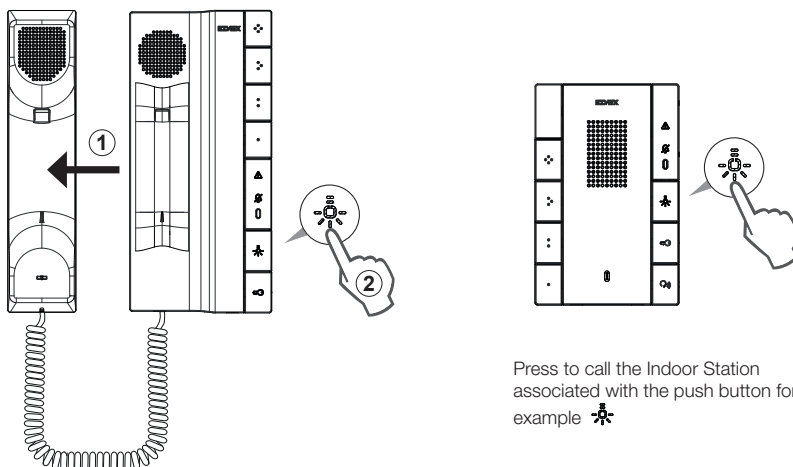



Note: By Default the Indoor Station releases the lock of the last calling entrance panel.

40540 - 40542 - 40540.D - 40547

Calling an Indoor Station (Intercom)

You can call another Indoor Station using keys , , , ,  (only  for 40540 and 40540.D), following appropriate programming.



1. Raise the handset
2. Press to call the Indoor Station associated with the push button for example 

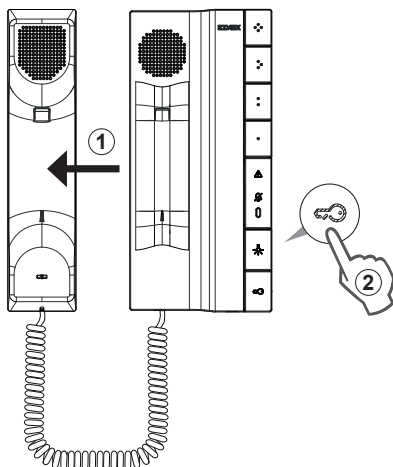
During the call, the Indoor Station emits a tone in order to signal that the call is being made.

If the Indoor Station is already engaged with another call, a tone will be heard on the Indoor Station making the call to indicate that the user receiving the call is busy.

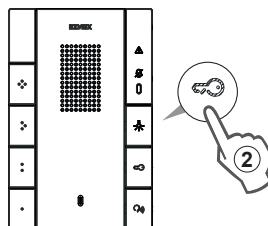
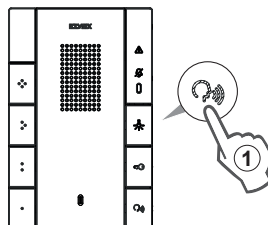
When the Indoor Station being called answers, communication starts automatically.

Calling a Reception Switchboard

You can also call a reception switchboard (if present in the system).



1. Raise the handset
2. Press the Lock button to make a call to the Reception switchboard.



1. Press the Talk/Listen button. The white LED starts flashing.
2. Press the Lock button to make a call to the Reception switchboard.

During the call, the Indoor Station emits a tone in order to signal that the call is being made.




If the Indoor Station is already engaged with another call, a tone will be heard on the Indoor Station making the call to indicate that the user receiving the call is busy.

When the Indoor Station being called answers, communication starts automatically.

40540 - 40542 - 40540.D - 40547

"Professional firm" function, for automatic lock release


The automatic lock release function with a call from the entrance panel is configured during installation. It can be activated/deactivated by closing the appropriately configured AL input connected to an external control or by following this sequence:

- in stand-by (not in call);
- with a handset entryphone, lift the handset and bring it to your ear;
- press and hold down the stair light push button "  ";
- press and release the lock push button "  ";
- release the stair light "  ";
- the state change is indicated by a confirmation beep (acute for enabling, grave for disabling);

N.B.: enabling the AL terminal for the "professional firm" function disables the sequence of buttons indicated and cancels the possible prior activation of the function.

If you answer the call before you send the lock release control or if the call is ended before this control is sent for any reason, the lock release control is NOT sent.

"General" apartment intercom call (only for 40542 and 40547 by default)


- press push button 2 "  " (note: the function cannot be moved to another button);
- by default each Indoor Station calls the other devices (max 3) within the relevant Group (both master and secondary); However, this can be extended to more than 3 devices using SaveProg.

N.B.: the function is alternative to paging, to switch between the two use the dip switches or SaveProg.

"Paging": Sending a one-way public paging announcement to other hands-free devices in the same group (only for 40542 and 40547)

(configurable via configuration software or dip switch)

N.B.: the sending function and the receipt function (only possible on hands-free entryphones) are configured separately.

- press push button 2 "  ", alternative to the apartment call function (note: the function cannot be moved to another button);
- the announcement is given from all hands-free entryphones in the same island enabled to receive paging and in the same relevant group;
- to switch between paging and apartment call, use the dip switches or SaveProg;

N.B.: paging is low priority, so all other calls, even the intercom call between indoor stations take precedence over it.

"Alert" function with dedicated input on terminals AL-M (only for 40542 and 40547)

- the entryphone by default sends the alert signal on the bus, and it is managed by the dedicated devices, when the normally open input is activated on terminals AL-M (if connected during installation). Additional configurations are possible using SaveProg.

40540 - 40542 - 40540.D - 40547


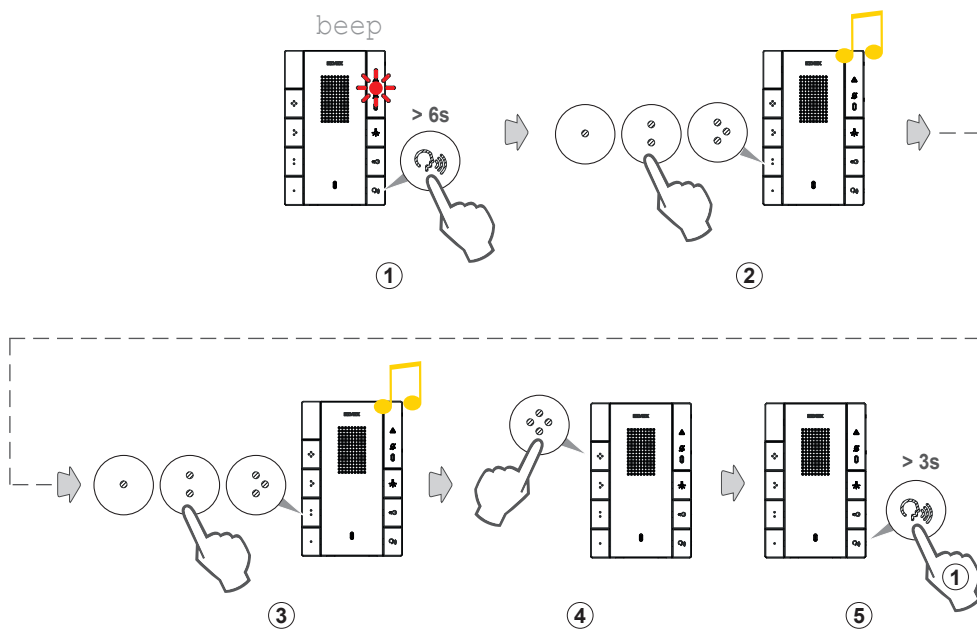
User configurations

Choice of call ringtone melodies (only for entryphone 40547)

You can use this procedure to select the ringtone (10 available) which is reproduced in the event of a call from:

External Call	key	•
Intercom Call	key	••
Landing	key	•••

Configuration procedure:

- Press and hold down the Talk/Listen key “


The diagram illustrates the configuration procedure in five numbered steps:

 - Step 1:** A hand presses and holds the Talk/Listen key (marked with a red star icon). A red LED on the device lights up. A speech bubble above the device says "beep". A timer icon indicates a duration of "> 6s".
 - Step 2:** A hand presses one of the ringtone selection keys (1, 2, or 3). The device starts playing a melody, indicated by a musical note icon.
 - Step 3:** A hand repeatedly presses the same ringtone selection key to cycle through the available melodies.
 - Step 4:** A hand presses key 4 (marked with four dots) to save the selected melody.
 - Step 5:** A hand presses the Talk/Listen key again for a duration of "> 3s". The red LED turns off, indicating the procedure is complete.

40540 - 40542 - 40540.D - 40547

Notes:

- *During phases 2-4, keys 1, 2 and 3 can be pressed in sequence to change the three melodies; the important thing is to press 4 to save;*
- *after pressing 4, you can start again with 1, 2 and 3 until you save it again;*
- *if the 20 s timeout expires and you haven't pressed 4, you will lose the last changes made with 1, 2, 3 since the previous save;*
- *During the entire procedure, pressing of the lock release and auxiliary actuation keys is ignored; moreover, the device cannot be used for calls or other entryphone functions.*

Configurations

The entryphone can be configured in the following three ways:

- **"Simplified" programming** via entryphone push buttons
- **Dip switch configuration:** designed to perform advanced configuration via an internal programmer consisting of 12 dip switches, without the help of other tools (configuration software, PC and interface).
- **Programming via "SaveProg" configuration software** in the Due Fili Plus system.

"Simplified" programming via entryphone push buttons

Programming must be carried out with the system switched on, without active communication and only after the entryphones/video entryphones have been connected to the system and the entrance panels have been programmed.

40540 - 40542 - 40540.D - 40547

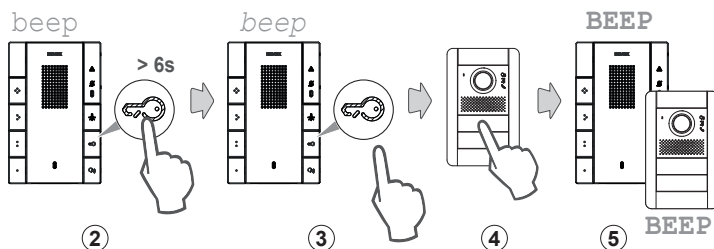
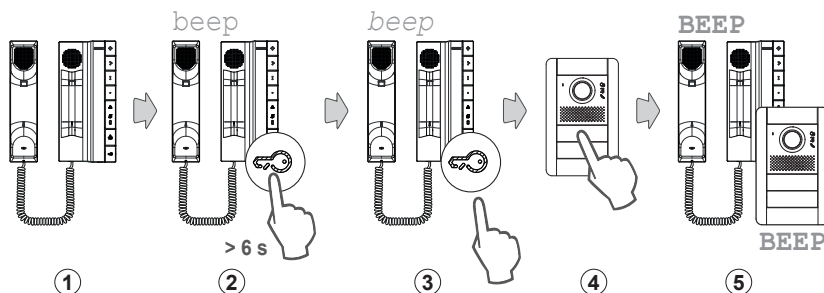
Identification code programming

The identification code is programmed by means of a main entrance panel (MASTER), already configured and present in the system. The entryphone is supplied without associated identification code. To verify this condition, press the lock release push button and the entryphone should emit a triple "Beep".

Caution: when programming the entryphone identification code, you have only 30 seconds from the moment you enter entryphone programming mode in which to press the call push button on the entrance panel or to send the code.

Programming phase:

1. In the case of a handset entryphone, raise the handset and bring it to your ear to listen to the sound feedback emitted by the handset during the programming phase.
 2. Press and hold down the lock push button "🔑" for 6 s.
When the time runs out the indoor station will emit a "beep" (0.5 s).
 3. Release the lock push button "🔑". When the push button is released the communication will be signalled by a "beep" with a different frequency.
 4. On push button entrance panels, press the call button for the entryphone, while entrance panels with alphanumeric keypads, enter the call code and the call button to confirm (📞 or OK, depending on the entrance panel model).
- Note:** If the system contains an indoor station that already has the same associated identification code, the entrance panel emits a low tone and the operation will have to be repeated from point 2. Otherwise the code is associated with the entryphone and communication is terminated.
5. If the unit has been programmed correctly you will hear a tone, otherwise repeat the programming sequence.

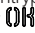


40540 - 40542 - 40540.D - 40547

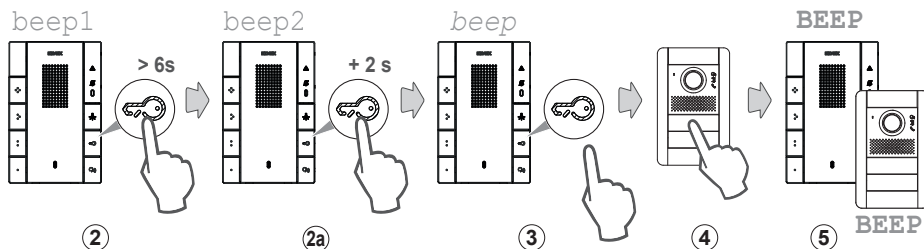
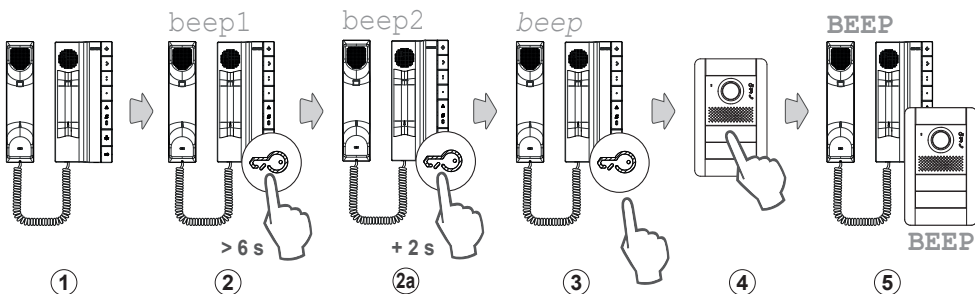
Secondary identification code programming

Programming of the secondary identification code is only required when more than one entryphone is to be called simultaneously using the same push button or call code. The entryphones that are to ring simultaneously must be associated with the same group. The "master" entryphone is programmed first by means of the "identification code programming" procedure described above, while the additional group entryphones are programmed with the secondary identification code. The maximum number of entryphones that can be associated with the same group without using a SaveProg software is 3 plus a master unit.

Programming phase:

1. In the case of a handset entryphone, raise the handset and bring it to your ear to listen to the sound feedback emitted by the handset during the programming phase.
2. Press and hold down the lock push button "🔑" for 6 s.
When the time runs out the indoor station will emit a "beep" (0.5 s).
- 2a. Continue holding down the lock push button "🔑".
3. After 2 s more the indoor station emits two "beep" in sequence apart (duration 0.5 s).
4. Release the lock push button "🔑". When the push button is released the communication will be signalled by a "beep" with a different frequency.
5. On push button entrance panels, press the call button for the "master unit" entryphone, while entrance panels with alphanumeric keypads, enter the call code and the call button to confirm (OK or , depending on the entrance panel model).

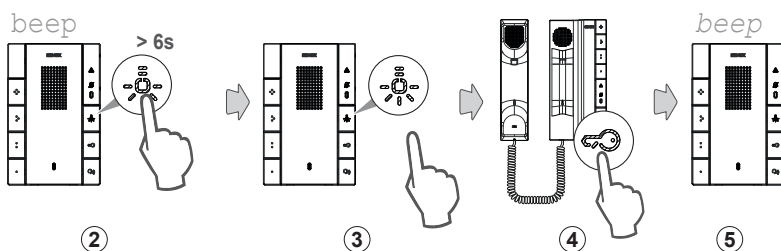
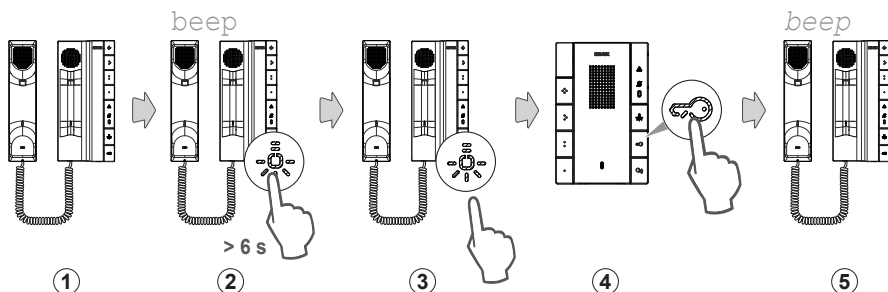
If the unit has been programmed correctly you will hear a tone, otherwise repeat the programming sequence.



40540 - 40542 - 40540.D - 40547

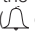
Programming push buttons for intercom calls (excluding the lock release button)

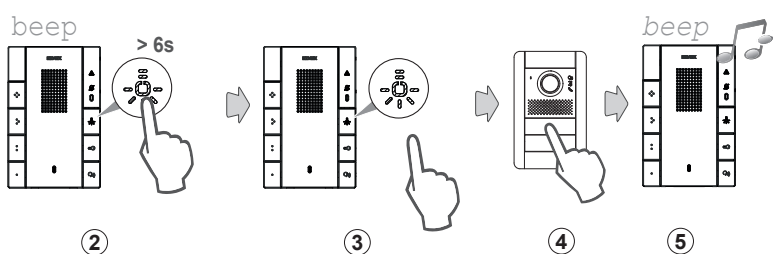
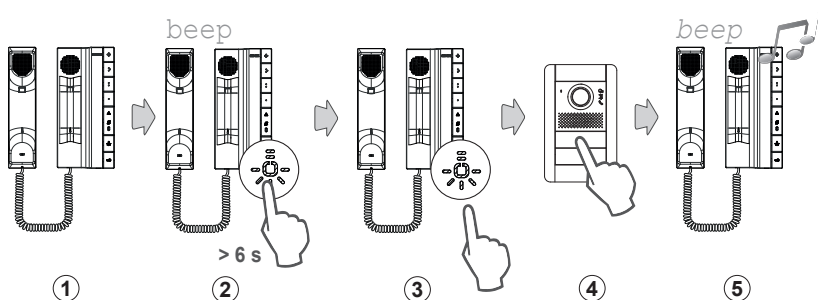
1. In the case of a handset entryphone, raise the handset and bring it to your ear to listen to the sound feedback emitted by the handset during the programming phase.
2. Press the push button to be programmed and hold it down for at least 6 s.
3. When the entryphone has emitted a “beep” release the push button being programmed.
4. Press the lock button on the entryphone/video entryphone you want to call.
5. Another “beep” confirms the push button for intercom calls has been programmed.



40540 - 40542 - 40540.D - 40547



Programming the self-start push button to a specific entrance panel (excluding the lock release button)

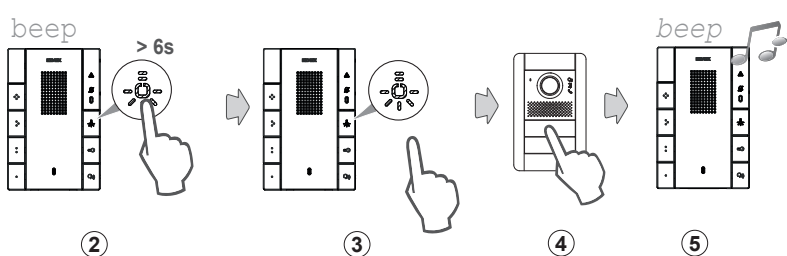
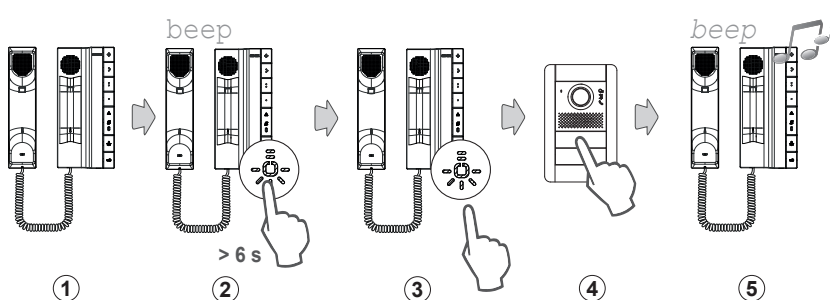
1. In the case of a handset entryphone, raise the handset and bring it to your ear to listen to the sound feedback emitted by the handset during the programming phase.
2. Press the push button to be programmed and hold it down for at least 6 s.
3. When the entryphone has emitted a "beep" release the push button being programmed.
4. On push button entrance panels, press the call button for the entryphone, while entrance panels with alphanumeric keypads, enter the call code and the call button to confirm ( or **OK**, depending on the entrance panel model).
5. A high tone confirms the end of the procedure. The entryphone will be called from the related entrance panel.



40540 - 40542 - 40540.D - 40547

Programming the lock release button of a specific entrance panel (excluding the lock release button)

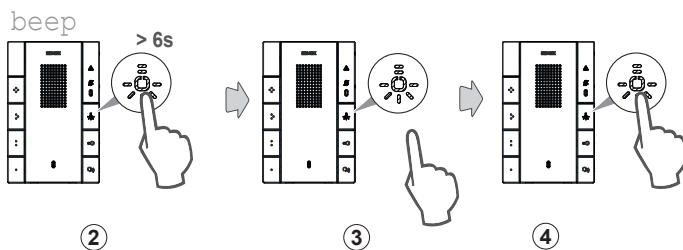
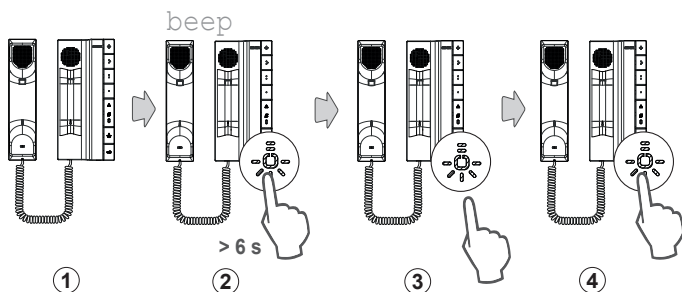
1. In the case of a handset entryphone, raise the handset and bring it to your ear to listen to the sound feedback emitted by the handset during the programming phase.
2. Press the push button to be programmed and hold it down for at least 6 s until the entryphone emits a first "beep" followed by a double "beep".
3. Release the push button being programmed.
4. From the entrance panel involved, make a call to the indoor station being programmed (on push button entrance panels, press the call button for the entryphone, while on entrance panels with alphanumeric keypads, enter the call code and press the call button to confirm  or , depending on the entrance panel model).
5. The entryphone receives the call and confirms that the push button has been programmed with a new "beep".



40540 - 40542 - 40540.D - 40547

Restoring default values of push buttons

1. In the case of a handset entryphone, raise the handset and bring it to your ear to listen to the sound feedback emitted by the handset during the programming phase.
2. Press the push button you want to reprogramme to its default value and hold it down for at least 6 s.
3. After 6 seconds the entryphone emits a "beep" (high tone).
4. Release the push button you want to reprogramme, then press it again to return it to its default setting.








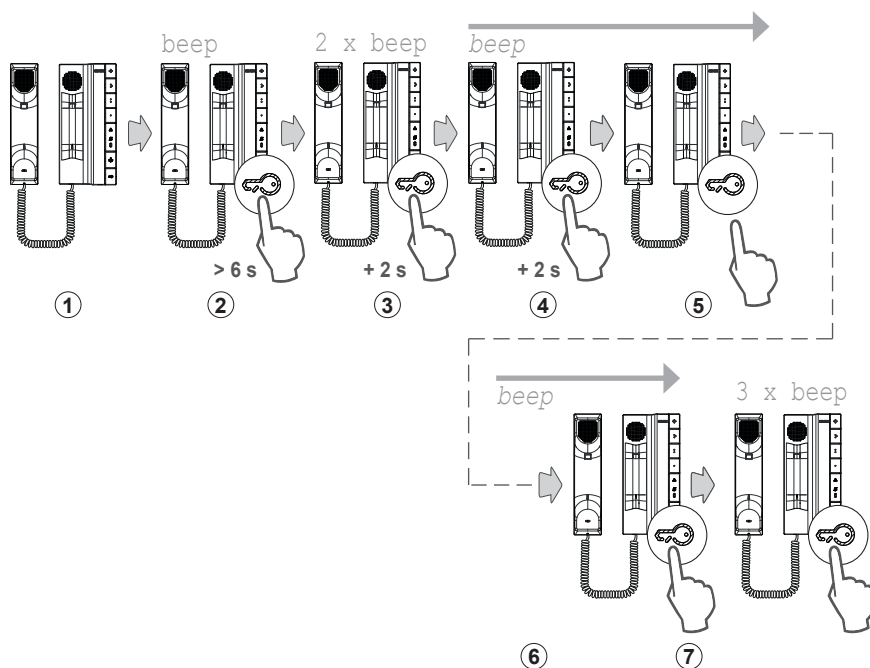
40540 - 40542 - 40540.D - 40547

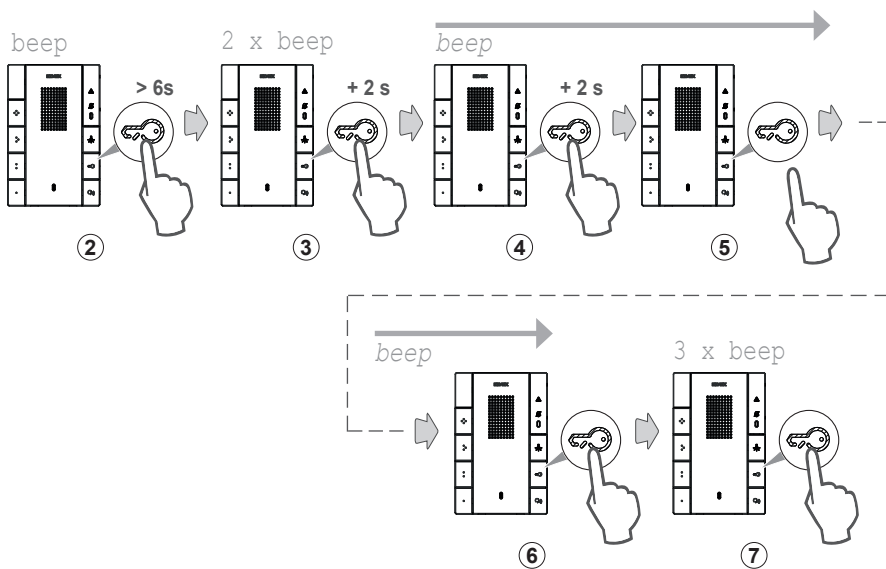
Deleting all settings

This process is recommended when you want to change identification code is of a previously programmed entryphone and you do not want to retain the operating programming of the device.

Programming phase (Simplified):

1. In the case of a handset entryphone, raise the handset and bring it to your ear to listen to the sound feedback emitted by the handset during the programming phase.
2. Press and hold down the lock push button “” for 6 s.
When the time runs out the indoor station will emit a “beep” (0.5 s).
3. Continue to hold down the door lock push button
After 2 s more the indoor station emits two “beeps” set apart (duration 0.5 s with a space in between).
4. Continue holding down the lock push button “”.
After 2 s more the indoor station emits a continuous tone for 5 s
5. Release the lock push button “”.
6. While the indoor station is still emitting a continuous tone, press the lock push button “”.
7. Release and press the lock button “”, three “beeps” will be emitted.





40540 - 40542 - 40540.D - 40547

Dip switch configuration mode

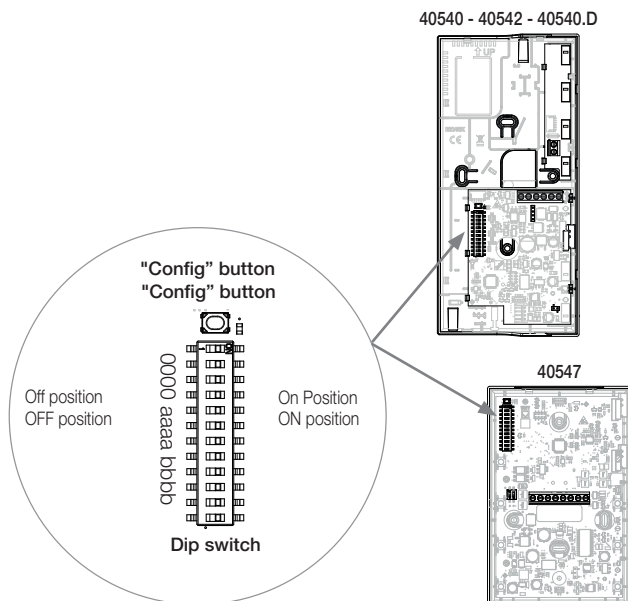
The entryphone is equipped with an internal programmer consisting of 12 dip switches designed to perform advanced configuration as illustrated in the following table.

Configuration procedure:

N.B.: all the configurations can be made only with the Entryphone powered and connected to the system.

- To enter the configuration state: press and **hold down (for at least 6 s)** the **"Config"** button in the entryphone until the white LED starts to flash (0.5 s ON / 0.5 s OFF) and (only for the handset version) the entryphone emits a confirmation beep (lasting 2 s).
- for every configuration listed below, **set the dip switches** as shown in the table.
- **press the "Config" button (release within 1 s)**, or the button to be configured (where envisaged) to save; wait for visual feedback (and acoustic only for handset entryphones) for confirmation or invalid setting.
NB: the dip-switch values are read only when the Config button (or the button to configure) is pressed; once positive feedback is given, the switches can move without affecting the configuration, at least until the Config/button is pressed again (short press).
- to exit the configuration mode: **press the "Config" button (for at least 3 s)** until the white LED stops flashing (and only for the handset version, the entryphone emits a "beep" lasting 2 s); or wait for the **timeout of 60 s** from the last press on the "Config" button or entryphone push button (the dip switch movement will not renew the timeout).

Note: If the programming is unsuccessful (for instance the ID already exists in the system), you will hear a low tone acoustic feedback in the handset and a visual feedback with the flashing of the individual red LED.



40540 - 40542 - 40540.D - 40547

Dip switch configuration table

Off position = 0

On Position = 1

	Function/configuration	setting Dip switch 1-12	range [aaaa] bbbb
1	Main ID setting * (no default setting) <i>Note: The entryphone will search for any other devices already configured with the same ID. During this phase, the white and red LEDs will flash.</i>	0000 aaaa bbbb	0000 0001 → ID 1 0000 0010 → ID 2 0000 0011 → ID 3 0000 0100 → ID 4 0001 1110 → ID 30 1100 1000 → ID 200
2	Secondary ID setting * <i>Note: The entryphone will search for any other devices already configured with the same ID. During this phase, the white and red LEDs will flash.</i>	0001 01aa bbbb (1st master unit secondary) 0001 10aa bbbb (2nd master unit secondary) 0001 11aa bbbb (3rd master unit secondary)	00 0001 → ID 1 ... 11 0010 → ID 50
3	Deleting programming and restoring default values	1010 1010 1010	(none)
4	Configure the intercom push button to PI or specific control unit *	0010 aaaa bbbb + button to configure	0000 0001 → ID 1 0000 0010 → ID 2 0000 0011 → ID 3 1100 1000 → ID200 1100 1001 → switchboard 1 ... 1100 1100 → switchboard 4
5	Configure push button to send the lock release control to a specific outdoor station *	0100 0001 bbbb + button to configure	0001 → ID 1 ... 1111 → ID 15
6	Configure push button to send the F1 command to a specific outdoor station * <i>Note: The outdoor station number must be consistent with the flag F1/F2 otherwise an error is given: if the flag is enabled then only outdoor station configurations from 1 to 8 are valid, if the flag is disabled then only the outdoor stations from 9 to 15.</i>	0100 0010 bbbb + button to configure	0001 → ID 1 ... 1111 → ID 15
7	Configure push button to send the F2 command to a specific outdoor station * <i>Note: The outdoor station number must be consistent with the flag F1/F2 otherwise an error is given: if the flag is enabled then only outdoor station configurations from 1 to 8 are valid, if the flag is disabled then only the outdoor stations from 9 to 15.</i>	0100 0011 bbbb + button to configure	0001 → ID 1 ... 1111 → ID 15

40540 - 40542 - 40540.D - 40547

8	Configure push button for self-start to a specific outdoor station* (Note: the lock release button cannot be configured for self-start to a specific outdoor station)	0100 0100 <i>bbbb</i> + button to configure	0001 → ID 1 ... 1111 → ID 15
9	Configure push button to activate a 69PH/ RH relay *	0100 1000 <i>bbbb</i> + button to configure	0001 → relay A of the 1st device 69PH/69RH 0010 → relay B of the 1st device 69PH/69RH ... 1111 → relay A of the 8th device 69PH/69RH 0000 → relay B of the 8th device 69PH/69RH
10	Configure push button for sending alerts (Note: the lock release button cannot be configured for Alert functions)	1000 0000 0000 + button to configure	(none)
11	Restoring the default function of a button	0100 0000 0000 + button to restore to its default values	(none)
12	(Dis-)Enabling of the shared Landing call flag	1111 0100 0011 (enabled) 1111 0100 0010 (disab.; default)	(none)
13	(Dis-)Enabling of the Landing call group flag	1111 0011 0001 (enabled; default) 1111 0011 0000 (disab.)	
14	(Dis-)Enabling the "professional firm function" that can be activated/deactivated by the user	1111 0000 0111 (en.) 1111 0000 0110 (disab.; default)	
15	(Dis-)Enabling the "paging" sending, replaces the Apartment call function using the related push button	1111 0100 1001 (en.) 1111 0100 1000 (disab.; default)	
16	(Dis-)Enabling the use of the AL terminal (N.O.) as Professional Firm activation (only for art. 40542 and 40547; as an alternative to the procedure using the buttons of the device itself).	1111 0101 0001 (en.) 1111 0101 0000 (disab.; default)	
17	Flag F1 / F2 to send controls to a specific valid outdoor station	1111 0000 1011 (enab.; default) 1111 0000 1010 (disab.)	
18	(Dis-)Enabling of the permanent Automatic Answer flag only for hands-free devices 40547)	1111 0010 1111 (en.) 1111 0010 1110 (disab.; default)	
19	(Dis-)Enabling "paging" receipt (only for hands-free devices 40547)	1111 0100 1011 (en.) 1111 0100 1010 (disab.; default)	

* The configuration requires the indication of an address, indicated with *[aaaa] bbbb*.

Note: if the device does not have an assigned ID, only the following are possible: "Main ID setting" or "Secondary ID setting" and "Deleting programming and restoring default values".

40540 - 40542 - 40540.D - 40547

Main ID							
ID	Code	ID	Code	ID	Code	ID	Code
1	0000 0001	51	0011 0011	101	0110 0101	151	1001 0111
2	0000 0010	52	0011 0100	102	0110 0110	152	1001 1000
3	0000 0011	53	0011 0101	103	0110 0111	153	1001 1001
4	0000 0100	54	0011 0110	104	0110 1000	154	1001 1010
5	0000 0101	55	0011 0111	105	0110 1001	155	1001 1011
6	0000 0110	56	0011 1000	106	0110 1010	156	1001 1100
7	0000 0111	57	0011 1001	107	0110 1011	157	1001 1101
8	0000 1000	58	0011 1010	108	0110 1100	158	1001 1110
9	0000 1001	59	0011 1011	109	0110 1101	159	1001 1111
10	0000 1010	60	0011 1100	110	0110 1110	160	1010 0000
11	0000 1011	61	0011 1101	111	0110 1111	161	1010 0001
12	0000 1100	62	0011 1110	112	0111 0000	162	1010 0010
13	0000 1101	63	0011 1111	113	0111 0001	163	1010 0011
14	0000 1110	64	0100 0000	114	0111 0010	164	1010 0100
15	0000 1111	65	0100 0001	115	0111 0011	165	1010 0101
16	0001 0000	66	0100 0010	116	0111 0100	166	1010 0110
17	0001 0001	67	0100 0011	117	0111 0101	167	1010 0111
18	0001 0010	68	0100 0100	118	0111 0110	168	1010 1000
19	0001 0011	69	0100 0101	119	0111 0111	169	1010 1001
20	0001 0100	70	0100 0110	120	0111 1000	170	1010 1010
21	0001 0101	71	0100 0111	121	0111 1001	171	1010 1011
22	0001 0110	72	0100 1000	122	0111 1010	172	1010 1100
23	0001 0111	73	0100 1001	123	0111 1011	173	1010 1101
24	0001 1000	74	0100 1010	124	0111 1100	174	1010 1110
25	0001 1001	75	0100 1011	125	0111 1101	175	1010 1111
26	0001 1010	76	0100 1100	126	0111 1110	176	1011 0000
27	0001 1011	77	0100 1101	127	0111 1111	177	1011 0001
28	0001 1100	78	0100 1110	128	1000 0000	178	1011 0010
29	0001 1101	79	0100 1111	129	1000 0001	179	1011 0011
30	0001 1110	80	0101 0000	130	1000 0010	180	1011 0100
31	0001 1111	81	0101 0001	131	1000 0011	181	1011 0101
32	0010 0000	82	0101 0010	132	1000 0100	182	1011 0110
33	0010 0001	83	0101 0011	133	1000 0101	183	1011 0111
34	0010 0010	84	0101 0100	134	1000 0110	184	1011 1000
35	0010 0011	85	0101 0101	135	1000 0111	185	1011 1001
36	0010 0100	86	0101 0110	136	1000 1000	186	1011 1010
37	0010 0101	87	0101 0111	137	1000 1001	187	1011 1011
38	0010 0110	88	0101 1000	138	1000 1010	188	1011 1100
39	0010 0111	89	0101 1001	139	1000 1011	189	1011 1101
40	0010 1000	90	0101 1010	140	1000 1100	190	1011 1110
41	0010 1001	91	0101 1011	141	1000 1101	191	1011 1111
42	0010 1010	92	0101 1100	142	1000 1110	192	1100 0000
43	0010 1011	93	0101 1101	143	1000 1111	193	1100 0001
44	0010 1100	94	0101 1110	144	1001 0000	194	1100 0010
45	0010 1101	95	0101 1111	145	1001 0001	195	1100 0011
46	0010 1110	96	0110 0000	146	1001 0010	196	1100 0100
47	0010 1111	97	0110 0001	147	1001 0011	197	1100 0101
48	0011 0000	98	0110 0010	148	1001 0100	198	1100 0110
49	0011 0001	99	0110 0011	149	1001 0101	199	1100 0111
50	0011 0010	100	0110 0100	150	1001 0110	200	1100 1000

Secondary ID	
ID	Code
1	00 0001
2	00 0010
3	00 0011
4	00 0100
5	00 0101
6	00 0110
7	00 0111
8	00 1000
9	00 1001
10	00 1010
11	00 1011
12	00 1100
13	00 1101
14	00 1110
15	00 1111
16	01 0000
17	01 0001
18	01 0010
19	01 0011
20	01 0100
21	01 0101
22	01 0110
23	01 0111
24	01 1000
25	01 1001
26	01 1010
27	01 1011
28	01 1100
29	01 1101
30	01 1110
31	01 1111
32	10 0000
33	10 0001
34	10 0010
35	10 0011
36	10 0100
37	10 0101
38	10 0110
39	10 0111
40	10 1000
41	10 1001
42	10 1010
43	10 1011
44	10 1100
45	10 1101
46	10 1110
47	10 1111
48	11 0000
49	11 0001
50	11 0010

40540 - 40542 - 40540.D - 40547

Code for intercom with Indoor Station									
ID	Code	ID	Code	ID	Code	ID	Code	ID	Code
1	0000 0001	51	0011 0011	101	0110 0101	151	1001 0111	Switchboard 1	1100 1001
2	0000 0010	52	0011 0100	102	0110 0110	152	1001 1000	Switchboard 2	1100 1010
3	0000 0011	53	0011 0101	103	0110 0111	153	1001 1001	Switchboard 3	1100 1011
4	0000 0100	54	0011 0110	104	0110 1000	154	1001 1010	Switchboard 4	1100 1100
5	0000 0101	55	0011 0111	105	0110 1001	155	1001 1011		
6	0000 0110	56	0011 1000	106	0110 1010	156	1001 1100		
7	0000 0111	57	0011 1001	107	0110 1011	157	1001 1101		
8	0000 1000	58	0011 1010	108	0110 1100	158	1001 1110		
9	0000 1001	59	0011 1011	109	0110 1101	159	1001 1111		
10	0000 1010	60	0011 1100	110	0110 1110	160	1010 0000		
11	0000 1011	61	0011 1101	111	0110 1111	161	1010 0001		
12	0000 1100	62	0011 1110	112	0111 0000	162	1010 0010		
13	0000 1101	63	0011 1111	113	0111 0001	163	1010 0011		
14	0000 1110	64	0100 0000	114	0111 0010	164	1010 0100		
15	0000 1111	65	0100 0001	115	0111 0011	165	1010 0101		
16	0001 0000	66	0100 0010	116	0111 0100	166	1010 0110		
17	0001 0001	67	0100 0011	117	0111 0101	167	1010 0111		
18	0001 0010	68	0100 0100	118	0111 0110	168	1010 1000		
19	0001 0011	69	0100 0101	119	0111 0111	169	1010 1001		
20	0001 0100	70	0100 0110	120	0111 1000	170	1010 1010		
21	0001 0101	71	0100 0111	121	0111 1001	171	1010 1011		
22	0001 0110	72	0100 1000	122	0111 1010	172	1010 1100		
23	0001 0111	73	0100 1001	123	0111 1011	173	1010 1101		
24	0001 1000	74	0100 1010	124	0111 1100	174	1010 1110		
25	0001 1001	75	0100 1011	125	0111 1101	175	1010 1111		
26	0001 1010	76	0100 1100	126	0111 1110	176	1011 0000		
27	0001 1011	77	0100 1101	127	0111 1111	177	1011 0001		
28	0001 1100	78	0100 1110	128	1000 0000	178	1011 0010		
29	0001 1101	79	0100 1111	129	1000 0001	179	1011 0011		
30	0001 1110	80	0101 0000	130	1000 0010	180	1011 0100		
31	0001 1111	81	0101 0001	131	1000 0011	181	1011 0101		
32	0010 0000	82	0101 0010	132	1000 0100	182	1011 0110		
33	0010 0001	83	0101 0011	133	1000 0101	183	1011 0111		
34	0010 0010	84	0101 0100	134	1000 0110	184	1011 1000		
35	0010 0011	85	0101 0101	135	1000 0111	185	1011 1001		
36	0010 0100	86	0101 0110	136	1000 1000	186	1011 1010		
37	0010 0101	87	0101 0111	137	1000 1001	187	1011 1011		
38	0010 0110	88	0101 1000	138	1000 1010	188	1011 1100		
39	0010 0111	89	0101 1001	139	1000 1011	189	1011 1101		
40	0010 1000	90	0101 1010	140	1000 1100	190	1011 1110		
41	0010 1001	91	0101 1011	141	1000 1101	191	1011 1111		
42	0010 1010	92	0101 1100	142	1000 1110	192	1100 0000		
43	0010 1011	93	0101 1101	143	1000 1111	193	1100 0001		
44	0010 1100	94	0101 1110	144	1001 0000	194	1100 0010		
45	0010 1101	95	0101 1111	145	1001 0001	195	1100 0011		
46	0010 1110	96	0110 0000	146	1001 0010	196	1100 0100		
47	0010 1111	97	0110 0001	147	1001 0011	197	1100 0101		
48	0011 0000	98	0110 0010	148	1001 0100	198	1100 0110		
49	0011 0001	99	0110 0011	149	1001 0101	199	1100 0111		
50	0011 0010	100	0110 0100	150	1001 0110	200	1100 1000		

40540 - 40542 - 40540.D - 40547

Code for lock/F1/F2/self-start of OS	
ID	Code
1	0001
2	0010
3	0011
4	0100
5	0101
6	0110
7	0111
8	1000
9	1001
10	1010
11	1011
12	1100
13	1101
14	1110
15	1111

Code for relay activation			
ID	ID 69°H	relay	Code
1	1	A	0001
2	1	B	0010
3	2	A	0011
4	2	B	0100
5	3	A	0101
6	3	B	0110
7	4	A	0111
8	4	B	1000
9	5	A	1001
10	5	B	1010
11	6	A	1011
12	6	B	1100
13	7	A	1101
14	7	B	1110
15	8	A	1111
16	8	B	0000

40540 - 40542 - 40540.D - 40547

Firmware Updating

The device is updated via the serial port and the interface 692I/U. Follow the instructions in SaveProg/FWUpdate or WinBoot.

For updates, disconnect the device from the Due Fili bus, connect the interface 692I/U to the PC first (USB port) and then to the device, then launch the update. While updating the red LED flashes. Update with a suitably powered PC, or with a fully-charged battery.

40540 - 40542 - 40540.D - 40547

• Regulatory compliance.

EMC directive. RoHS directive.

Standards EN 55032, EN 55035, EN 62368-1, EN IEC 63000.

REACH (EU) Regulation no. 1907/2006 – art.33 The product may contain traces of lead.



- **WEEE - User information.** The crossed bin symbol on the appliance or on its packaging indicates that the product at the end of its life must be collected separately from other waste. The user must therefore hand the equipment at the end of its life cycle over to the appropriate municipal centres for the differentiated collection of electrical and electronic waste. As an alternative to independent management, you can deliver the equipment you want to dispose of free of charge to the distributor when purchasing a new appliance of an equivalent type. You can also deliver electronic products to be disposed of that are smaller than 25 cm for free, with no obligation to purchase, to electronics distributors with a sales area of at least 400 m². Proper sorted waste collection for subsequent recycling, processing and environmentally conscious disposal of the old equipment helps to prevent any possible negative impact on the environment and human health while promoting the practice of reusing and/or recycling materials used in manufacture.



- Installation must be carried out by qualified persons in compliance with the current regulations regarding the installation of electrical equipment in the country where the products are installed.

**• Warnings for the user**

Do not open or tamper with the appliance.

In the event of faults, contact specialized personnel.

Maintenance

Clean using a soft cloth.

Do not pour water onto the appliance and do not use any type of chemical product.

-
- For further information, visit www.vimar.com



49401591A0_MU_EN 02 2202



VIMAR

Viale Vicenza 14
36063 Marostica VI - Italy
www.vimar.com