



## Outdoor stations: 2F+ A/V wide-angle unit

### 41009

ELVOX Door entry system / 2F/2F+ video door entry system /  
Outdoor stations / Pixel series

### 2F+ A/V wide-angle unit

Due Fili Plus electronic unit for audio/video entrance panel, wide-angle colour camera, automatic lighting adjustment of the field of view, echo suppression, automatic sound balancing, automatic loudspeaker level control, automatic microphone level control, 4 call buttons with white LED backlighting and dusk/dawn lighting control, call status indicator LED, 1 input configurable as external push button for CA door opener or PA door open, 1 output for direct release of electrical lock, 1 SELV relay output configurable as NC or NO 48V 1A, to be completed with audio front module and single button, double button or blank module



### Product Status

3 - Active

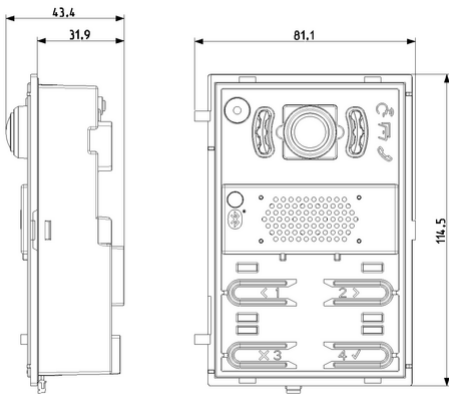
### Minimum order quantity

1 NR

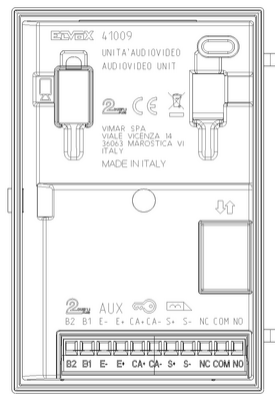
## Sheets, Manuals, Documentation

- Multilanguage instructions sheet (6140 kb)
- Manual de Uso e Configuração (9686 kb)
- Manuale Uso e Configurazione (9813 kb)
- Manuel d'utilisation et de configuration (9688 kb)
- Manual de uso y configuración (9684 kb)
- Use and Configuration Manual (9671 kb)
- Εγχειρίδιο χρήσης και διαμόρφωσης (9805 kb)
- Bedienungs- und Konfigurationsanleitung (9702 kb)
- ةئيهت ل او مادختس الال ل ل د (9697 kb)

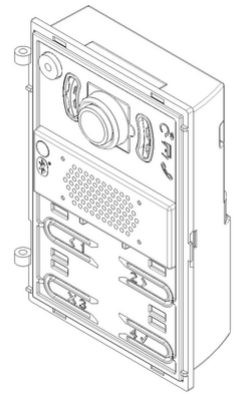
## Drawings



Space view



Backside view



3D View

## Certifications

- 00. CE Marking - EU
- 37. Marking - Morocco
- 99. WEEE Directive ([download](#))

## Technical data

**Class group:** Communication technique  
(components and systems)

**Class:** External camera door communication

**Mounting method:** Built-in

**Installation technique:** Other

**Picture system:** PAL

**Material:** Other

**Colour:** Other

**Zoom, pan/tilt function:** No

**Manual adjustable camera:** No

**Compatible with Apple HomeKit:** No

**Compatible with Google Assistant:** No

**Compatible with Amazon Alexa:** No

**IFTTT support available:** No

## Packaging



8007352795662

**Qtà** 1 NR

**Dim** 18x12x5.5 [cm]

**Weight** 241.2 [g]



8007352795679

**Qtà** 20 NR

**Dim** 38.5x29.5x25  
[cm]

**Weight** 5,230 [g]

## Legal

Vimar reserves the right to change at any time and without notice the characteristics of the products reported. Installation should be carried out by qualified staff in compliance with the current regulations regarding the installation of electrical equipment in the country where the products are installed. For the terms of use of the information on the product info sheet see [Conditions of Use](#).