

200/2000 SERIES SPARE PARTS & ACCESSORIES

The following are available as optional extras:

SPARE PARTS

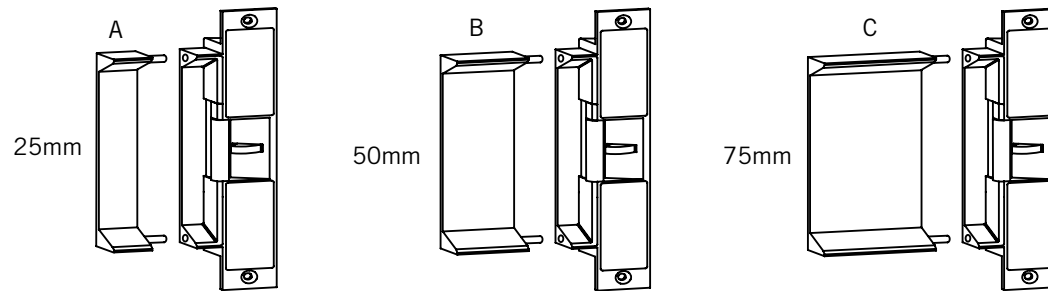
Part Number	Qty Per Pack	Description
220200-501	1	Solenoid Status Microswitch Assembly
220200-502	1	Door Latch Microswitch Assembly
220200-504	1 set	Screw Kit - Installation
220200-508	5 x (2 short, 1 long)	Locking Pins
220200-511	5	200 Series Locking Pin Return Spring
220200-520	5	Spring - Microswitch Retainer
220200-513	1	12 V Solenoid Coil
220200-514	1	24 V Solenoid Coil
220200-515	1	48 V Solenoid Coil

ACCESSORIES

Part Number	Qty Per Pack	Description
220200-519	1	Mounting Kit
220200-505	1	25mm Extension Lip *
220200-506	1	50mm Extension Lip *
220200-507	1	75mm Extension Lip *

* When the use of extension lips is required, the standard model numbers of electric strikes must be suffixed with "X" to denote pre-drilled extension holes (e.g. 2000X).

25mm extension lip (A),
50mm extension lip (B)
75mm extension lip (C)
available as optional extras.



5 Year Limited Warranty

ASSA ABLOY Australia guarantees for a period of 5 years in accordance with Trimec's Standard Warranty Conditions, against defects in manufacture, workmanship or materials, provided that all electrical and mechanical installation requirements are adhered to as per this datasheet. All third party and consequential claims are expressly excluded from this warranty.



ASSA ABLOY Australia
2/16 Atkinson Road
Taren Point 2229
NSW, Australia
www.assaabloyasiapacific.com

DA0002, Issue 10: 25th July 2007

200/2000 SERIES ELECTRIC STRIKE



INSTALLATION INSTRUCTIONS

DRAWINGS NOT TO SCALE. INFORMATION IN THIS DATASHEET MAY BE CHANGED WITHOUT NOTICE.

IMPORTANT NOTE: Ensure any rebate strips or door stops are fitted before proceeding.
For double-leaf doors, the inactive leaf must be securely fixed in the closed position and a rebate strip fitted to prevent door over-travel.
Strike is suitable for 15mm latches, based on a 3mm door gap.

1. Mark positions X and Y of door latchbolt on door jamb (see **Fig. 1**).
2. Remove the backing of supplied stick-on template, and apply to door jamb. Ensure the lines "Front face of Lock Latch" on both template and door jamb are aligned (see **Note 1**).
3. Scribe the door jamb according to template outline (see **Fig. 2**).
4. Prepare door jamb as per appropriate installation type; for Metal Jamb refer to **Fig. 3**, for Wood Jamb refer to **Fig. 4**. Install mounting tabs where applicable. (see **Note 2**).
5. Ensure all wiring is correctly connected and not rubbing on sharp edges or interfering with any strike mechanism.
6. Install the strike temporarily in position and check there is no interference between the door, strike and lock face plates, and the extension lip of strike during door closing. Ensure the deadlatching auxiliary bolt does not enter the strike keeper area when door is closed.
7. Check there is no pressure on the strike keeper when door is closed.
8. When all above checks are complete, secure strike with appropriate screws and re-check operation.

NOTE 1 : A 1mm clearance has been designed into the template to prevent the door exerting pressure on the strike when closed.
NOTE 2 : Allow sufficient space between the electric strike unit and jamb cut-out for the wires. Bunching of wires may cause the unit to malfunction.

Fig. 1 - Door Frame Preparation

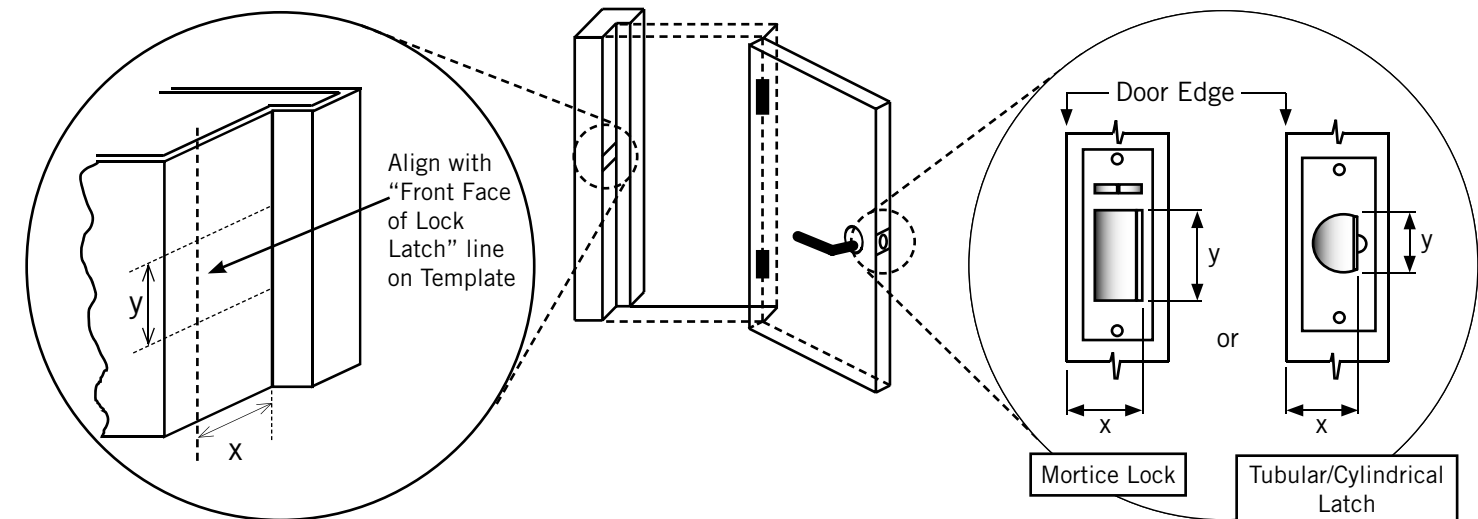
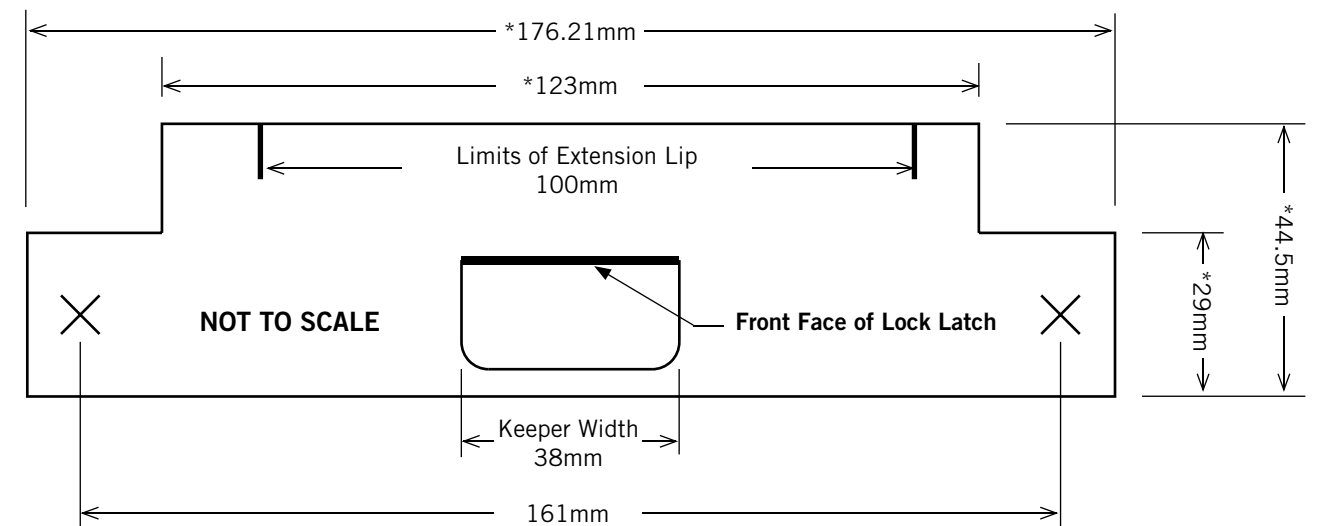


Fig. 2 - 200/2000 Series Electric Strike Template Outline



*These dimensions have a tolerance of +0.8mm/-0

Fig. 3 - Metal Jamb Installation

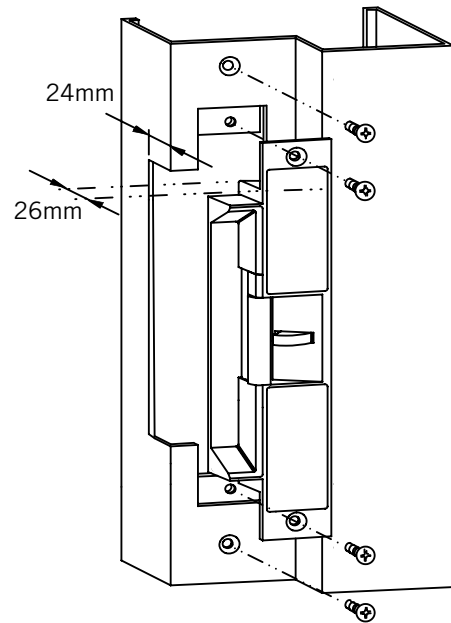
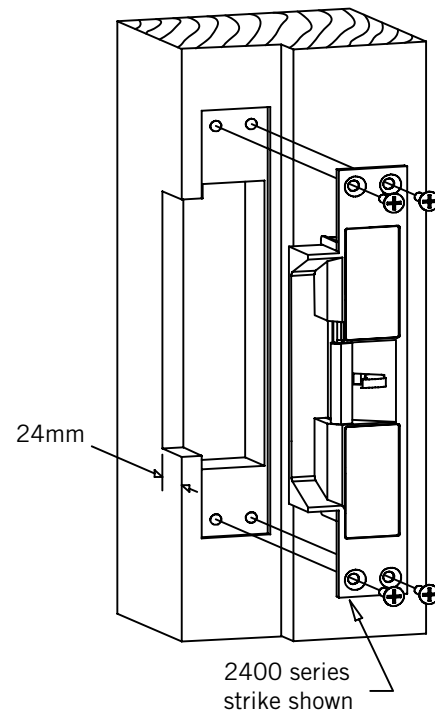


Fig. 4 - Wood Jamb Installation



CHANGING MODE OF LOCK OPERATION

1. To change the electric strike's mode of lock operation, remove the back cover and the 2 screws securing the solenoid.
2. Remove solenoid from strike housing, and invert the strike. This will release three locking pins from the strike and keeper chambers. **CAUTION! When removing solenoid, please be mindful to keep the plunger in the solenoid as it is not secured, and may be easily misplaced.**
3. Re-insert the pins as shown in the diagrams for desired mode of lock operation (Power to Open: see Fig. 5; Power to Lock: see Fig. 6).
4. Place solenoid back in strike housing, and secure with solenoid screws. Press strike back cover into position.

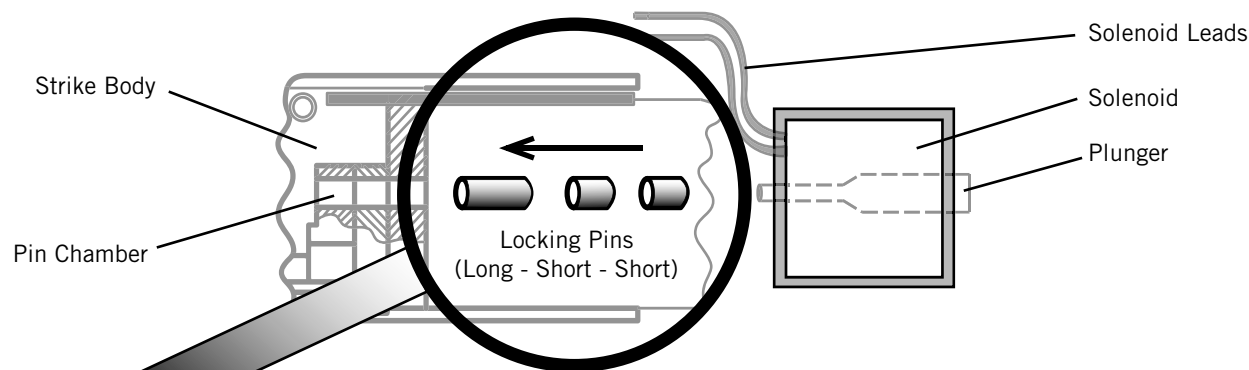


Fig. 5 - Power To Open (Fail-Secure) Configuration

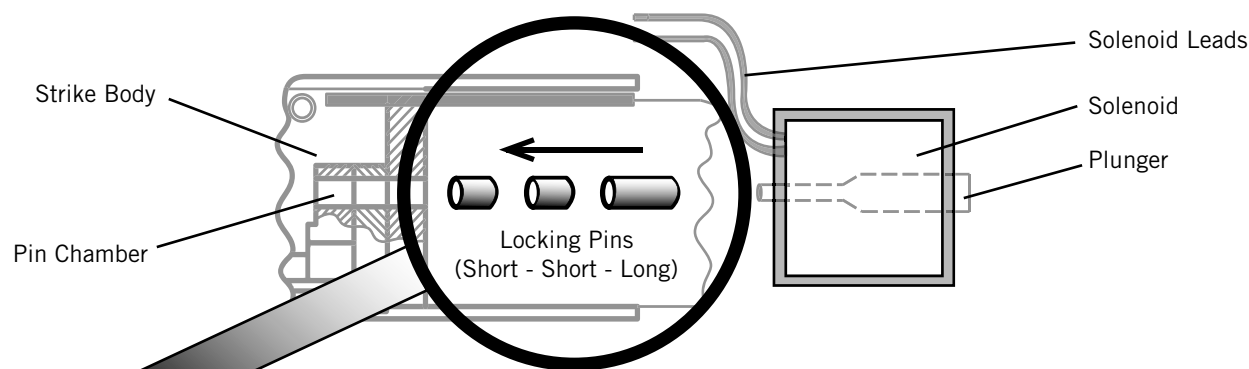


Fig. 6 - Power To Lock (Fail-Safe) Configuration

ELECTRICAL SPECIFICATIONS

Solenoid Leads Colour	Supply Voltage	Current Draw
Red	12 VDC	175 mA
Blue	24 VDC	88 mA
Black	48 VDC	45 mA

CAUTION! Incorrect supply voltage may cause damage not covered by warranty. Please check supply voltage with a suitable meter to ensure it is within +/- 15% of the nominal voltage shown above with the strike powered.

This product has been designed for use in weather protected areas only. **DO NOT OIL OR LUBRICATE.**

2000 Series Microswitch Monitoring

The 2000 Series electric strike is fitted with a UL approved changeover microswitch (max. rating: 125 VAC, 3 A / 60 VDC, 200 mA) to monitor the latch and strike status. The wiring diagram for the monitoring schematic is shown in Fig. 7 and on the back of the strike.

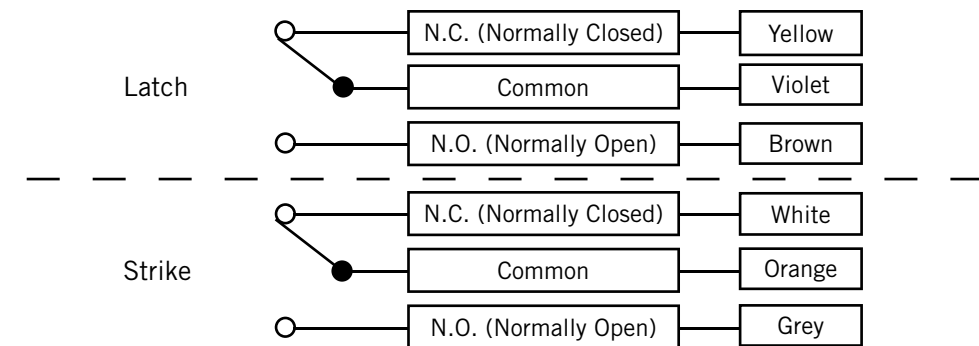


Fig. 7 - Monitoring Schematic

Certification

- AS4145.2 compliant
- BS5872 approved
- CE compliant
- up to 4-hours fire rating, depending on type of doorset (in accordance with AS1905.1 - 1997, Part 1: Fire-resistant Doorsets)



UL Listing

- Wiring methods and materials shall be in accordance with the National Electric Code, ANSI/NFPA 70 - 1996
- Unit must be powered by a UL listed limited energy power source
- Use only those mounting screws and hardware supplied with the product for installation. Do not use substitute installation fasteners or hardware
- UL listed for burglary resistance category 1034

Standard UL 1034 Tested and Listed for:

- 1,500 lbs. (680 kg) static strength rating
- 70 foot-lbs. dynamic strength rating
- 250,000 cycles endurance rating



At the request of ASSA ABLOY Australia, this model was tested to the following VOLUNTARY ratings:

- 1,000,000 cycles of operation