

GT-4ZP

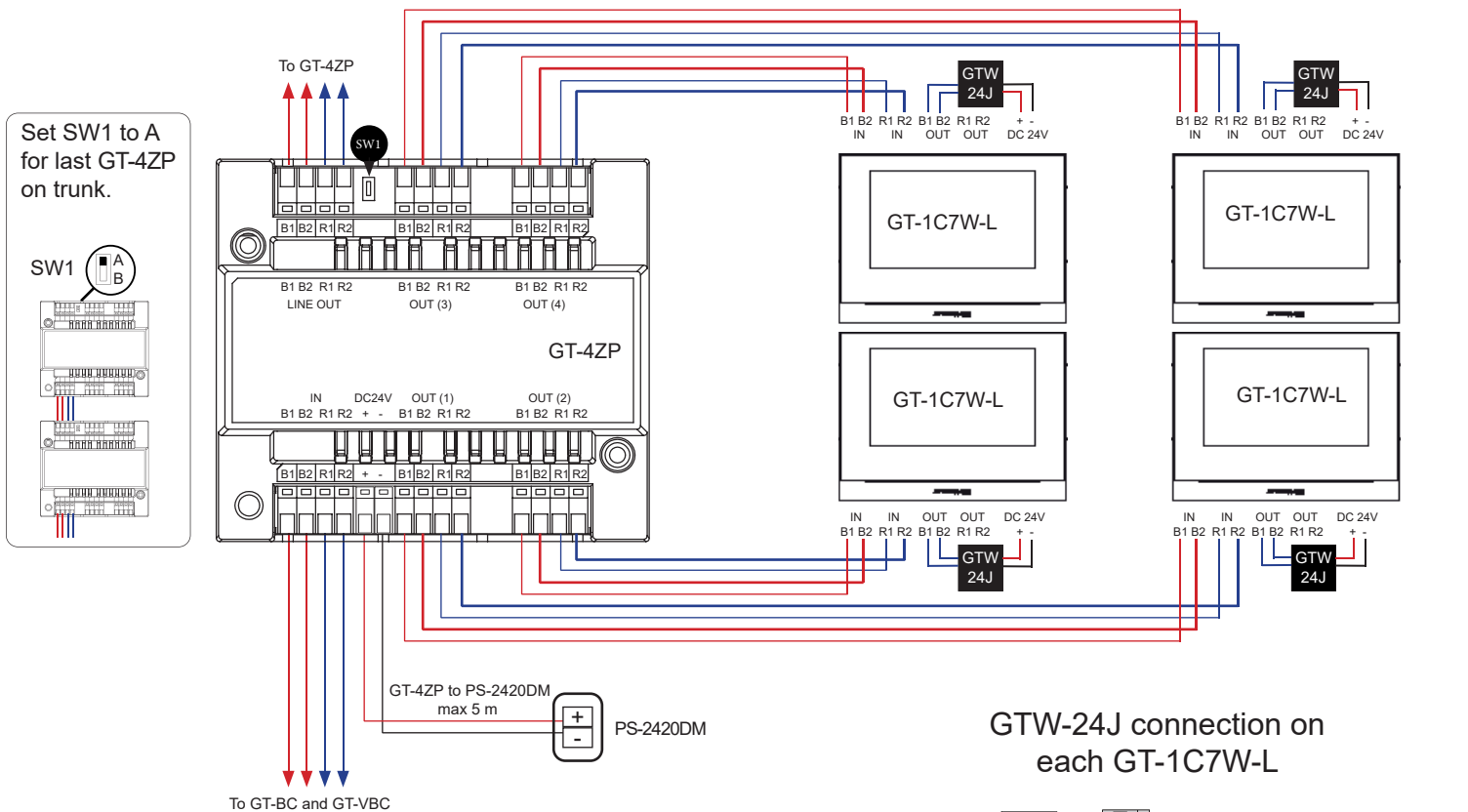
4-Way Distribution Adaptor for GT-1C7W

INSTRUCTIONS

The GT-4ZP allows one PS-2420-DM to power up four GT-1C7W-L app-enabled tenant stations. The GT-4ZP replaces existing GT-4Z adaptors in a GT system, and requires 1 PS-2420DM per GT-4ZP. Each GT-4ZP includes 4 power jumpers (GTW-24J) that are to be installed on the GT-1C7WL between the B1/B2 and +/- terminals, which provides power to the GT-1C7WL without having to install a local PS-2420DM for each tenant station.

WIRING

GT-4ZP to GT-1C7W-L - max 50 m



SPECIFICATIONS

- Power : 24V DC (One PS-2420DM per GT-4ZP)
- Mounting : 7 DIN modules
- Contents : 1x GT-4ZP, 4x GTW-24J
- Dimensions : height 108 mm x width 122 mm x depth 61 mm
- Temperature : 0 - 40° C

