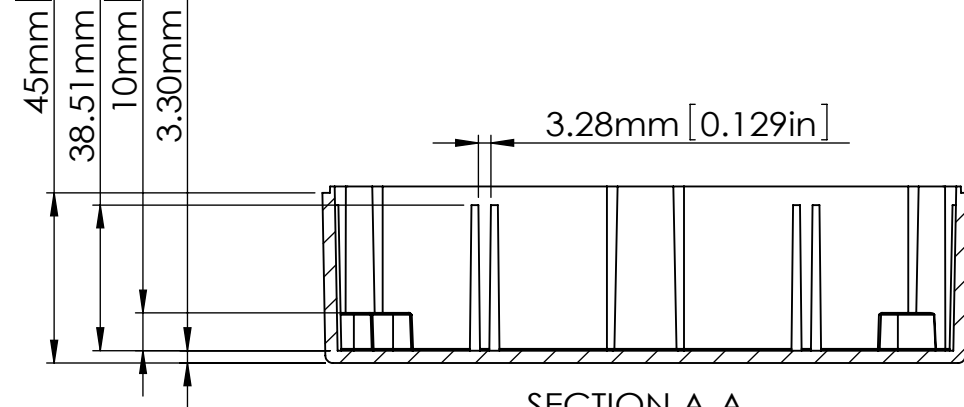
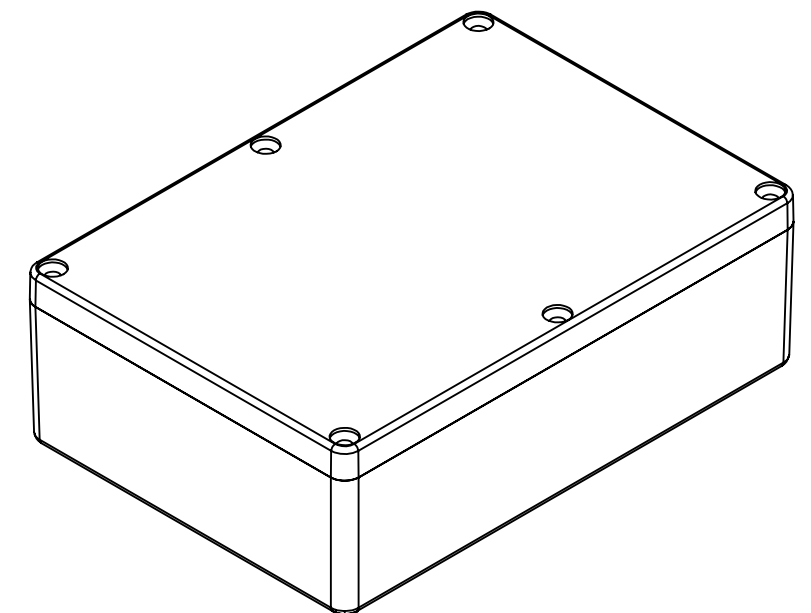
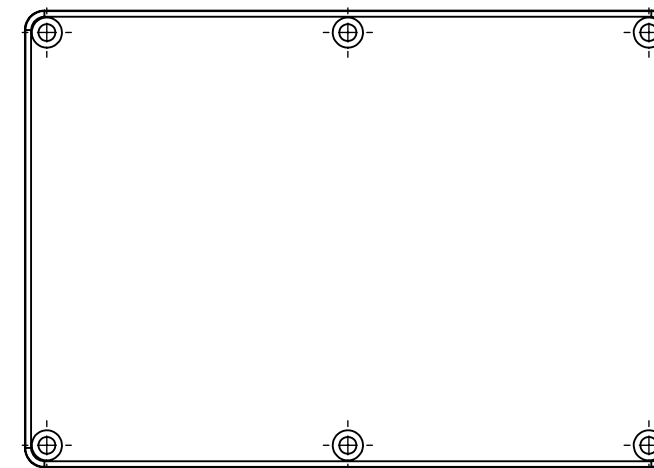
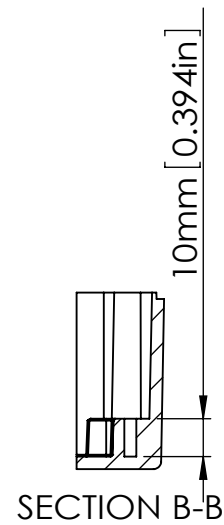
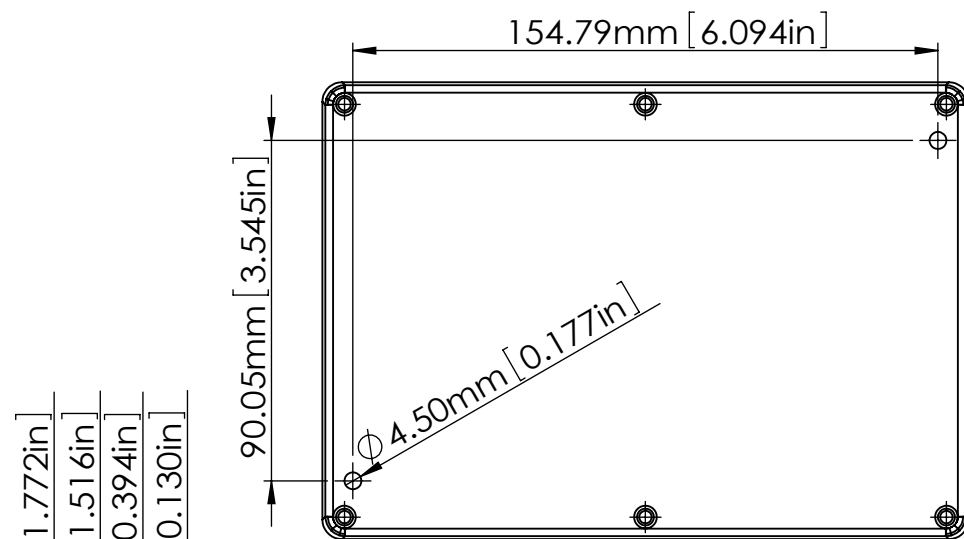
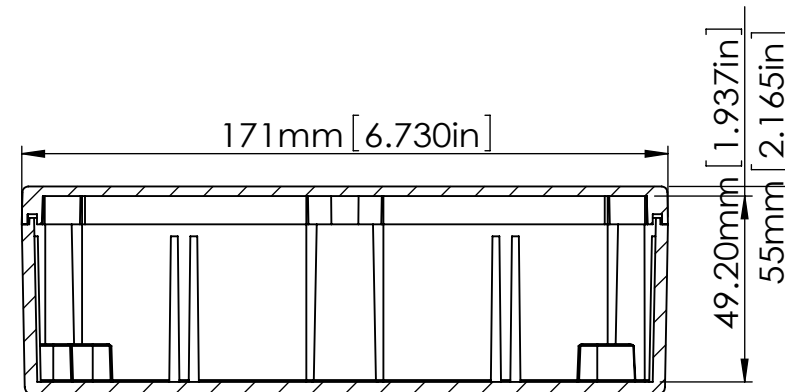


SECTION C-C



SECTION A-A



ASSEMBLY

According to ISO 2768-m	
Measuring DIM=L	Tolerances
0.5<L<=3.0mm	±0.1mm
3.0<L<=6.0 mm	±0.1mm
6.0<L<=30.0 mm	±0.2mm
30.0<L<=120.0 mm	±0.3mm
120.0<L<=400.0 mm	±0.5mm
400.0<L<=1000.0 mm	±0.8mm

繪圖	日期	DATE	材質	MATE.	圖名TITLE:	圖號DWG NO:	版次REVISID:
	2010/12/31		ALUMINIUM ALLOY ADC-12				D