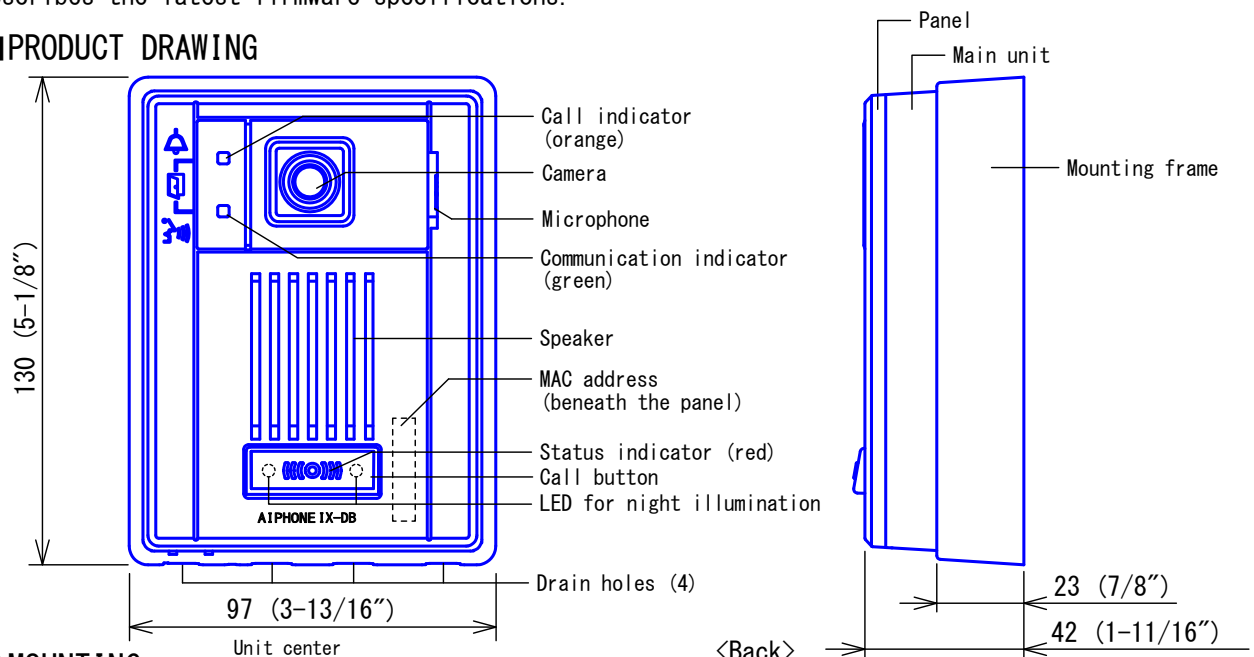
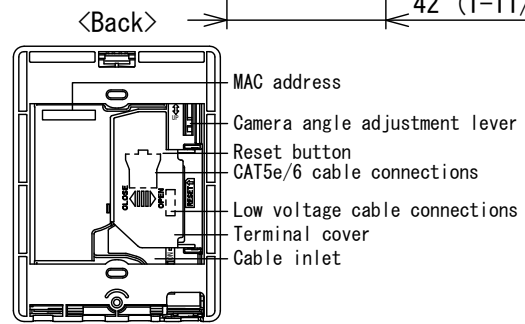
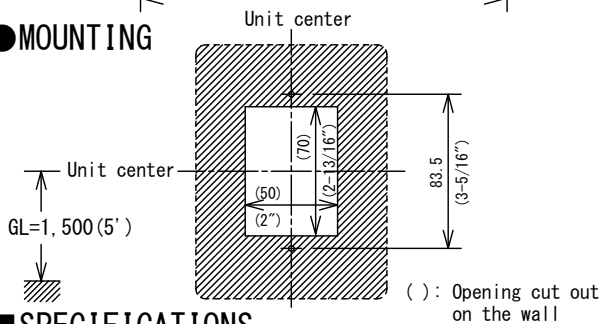


Describes the latest firmware specifications.

PRODUCT DRAWING



MOUNTING

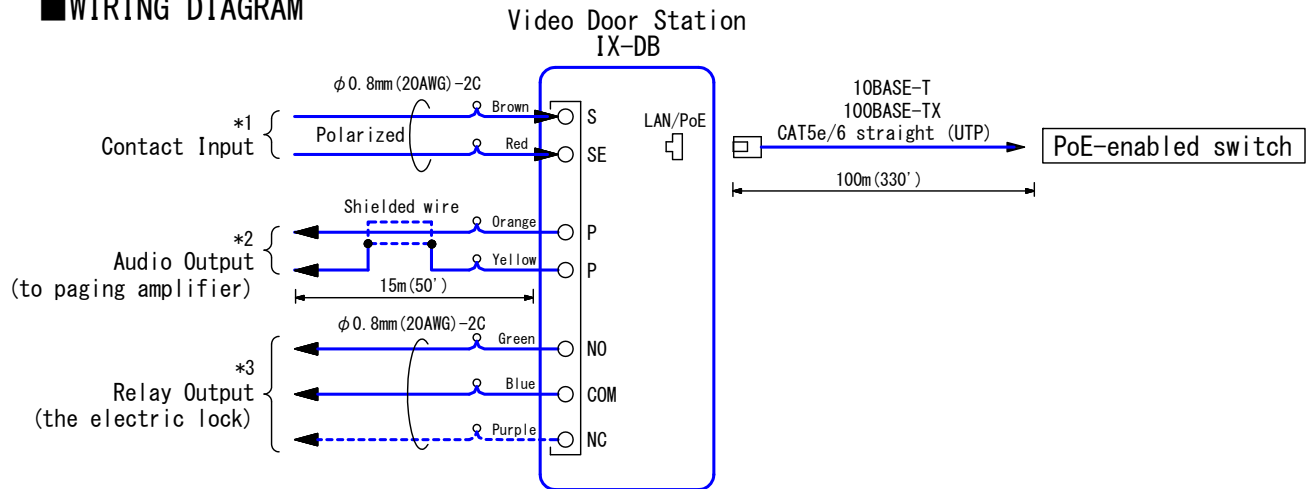


SPECIFICATIONS

Power source	Power-over-Ethernet (IEEE 802.3af Class 0)
Consumption current	Standby 35mA, Max. 80mA
Communication	Hands-free
Camera	1/3.2 inch color CMOS camera
Minimum illumination	5 lux
LAN	Ethernet (10BASE-T, 100BASE-TX)
Audio codec	G. 711
Video codec	H. 264/AVC, Motion JPEG
Protocol	IPv4, IPv6, TCP, UDP, SIP, HTTP, HTTPS, RTSP, RTP, RTCP, IGMP, MLD, SMTP, FTP, DHCP, NTP, DNS
Encryption method	TLS1.2
Packet delivery	Unicast, Multicast
Number of called stations	20 stations
Operating ambient temperature	-10 - +60°C (+14 - +140° F)
Mounting	Wall-mount
Electrical box	Single-gang box
Material	Fire-retardant ABS plastic
Color	Hardware: flat black, Panel: silver
Weight	Approx. 290g (0.64 lbs)
IP rating	IP54
IK rating	IK07
Remarks	Support the ONVIF "Profile S"

DESCRIPTION VIDEO DOOR STATION	FIG. NAME PRODUCT DRAWING/SPEC.	UNIT mm	DATE 24 November, 2022
MODEL NO. IX-DB	FIG. NO. 1570253-1-5	PAGE 1/5	REVISION 1
			AIPHONE

■ WIRING DIAGRAM



*1. Contact Input Specifications

Input method	Form C dry contact (N/O or N/C) *
Fixed detection time	200msec - 2000msec by settings
Contact resistance	Maximum closure resistance: 700 Ω or less Minimum open resistance: 3 kΩ or more
Terminal short-circuit current	10 mA or less
Voltage between the terminals	DC 5V or less (between open terminals)

*. Even if the input continues at the time of reset, the operation will not be performed again.

*2. Audio Output Specifications

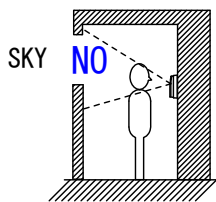
Output impedance	600Ω
Output audio level	300 mVrms (600 Ω when terminated)

*3. Relay Output Specifications

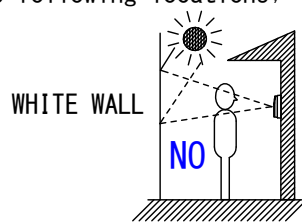
Output method	Form C dry contact (N/O or N/C)
Voltage between the terminals	AC 24V, 0.5A (resistive load) DC 24V, 0.5A (resistive load) Minimum load (AC/DC): 100 mV, 0.1 mA

■ RESTRICTIONS

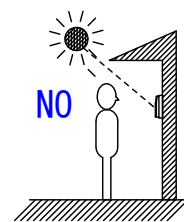
- A PoE-compatible switch must be used as the switch (hub) for station connection.
- Video from the Door Station camera cannot be viewed simultaneously by more than two products from other manufacture's products.
- A computer is required to make system settings.
IX system can be configured in one of the two methods, "IX Support Tool" application or Web browser. Once the system has been configured through a browser, the settings cannot be transferred to IX Support Tool. The IX Support Tool is recommended to manage settings.
- Do not cover the water escape holes with caulking seals.
- While updating the System settings, stations unavailable.
- Avoid to install IX-DA in the following locations;



At the entrance where background is sky in upper floors of Condominiums, etc.



The background of the standing caller's is white wall.



Where the standing location is strongly sunlit.

- Due to the future required changes to network communication functionality etc. may not be possible to respond by updating the firmware of the station and it may not operate properly.

■ RESTRICTIONS ABOUT THE NETWORK

- Connection cannot be made over the Internet (global IP network).
- We do not recommend using a wireless LAN as it may not operate correctly due to security issues or communication speed delays.

DESCRIPTION VIDEO DOOR STATION	FIG. NAME WIRING/RESTRICTIONS	UNIT mm	DATE 24 November, 2022
MODEL NO. IX-DB	FIG. NO. 1570253-2-5	PAGE 2/5	REVISION 1 AIPHONE

- The procedures used for making network settings differ depending on the availability of automatic IP address assignment through DHCP or stateless automatic setup.
- For IPv4 Address with DHCP, due to the architecture of the IX system, DHCP configuration is only recommended for network environments utilizing managed (static) IP address leasing.
- For stateless IPv6 Address, do not change the prefix of the device so that it cannot transmit Router Advertisement (RA).
- For IPv6 Address with DHCP, due to the architecture of the IX system, DHCP configuration is only recommended for network environments utilizing managed (static) IP address leasing.
The DUID of the device: 00030001 + MAC address
- Depending on the network environment and computer, prior arrangements and setup operations involving the network administrator might be necessary.
- Depending on the network environment, operation delay might occur.
- Depending on the network environment or other factors, audio or video dropout, delays, lower frame rates, or other loss of correct operation might occur.
- The protocols used by this system must be supported.
- The network bands used by each device are as follows.
 - G. 711(μ -law, A-law) : 64kbps x 2(in communication), 64kbps x stations(on page)
 - H. 264 : 64kbps – 2048kbps
- IPv4 and IPv6 cannot be mixed in the same system.
- When using multicasting for video, or audio, use in an environment that does not reject IGMPv3 or MLDv2.

■ NETWORK SECURITY

This unit is used while connected to a network, and so may be exposed to the following forms of harm.

- Data breach or leakage via the unit
- Illicit operation, impairment, or stoppage of the unit by a malicious third party

To prevent such harm, you must implement, at your own responsibility, network security measures that also include measures such as the following.

- Use the unit on a network whose safety is secured by the use of a firewall or the like.
- When using the unit in a system to which computers are connected, verify that checking and elimination with respect to infection by computer viruses and illicit programs is conducted periodically.
- To prevent network breaches of video or audio data, authentication data (users names and passwords), notification email data, and the like, implement measures such as restricting access by means of user authentication.
- Store authentication data (user names and passwords) carefully and out of sight from third parties.
- Never install in such as way that the unit or cables can easily be detached or damaged.

DESCRIPTION VIDEO DOOR STATION	FIG. NAME RESTRICTIONS/NETWORK SECURITY	UNIT mm	DATE 24 November, 2022
MODEL NO. IX-DB	FIG. NO. 1570253-3-5	PAGE 3/5	REVISION 1 AIPHONE

FUNCTIONS

- **Calling**
 - Group Call: Make an outgoing call to all stations that belong to the selected group.
 - Contact input call: Make an outgoing call to all stations that belong to the selected group by Contact input.
 - **Paging** Receive a page
 - **Others** IP-PBX integration: IX System can integrate with IP-PBX *.
 - Make, receive, transfer calls, answer visitors, and release doors.
 - *. Some countries have local restrictions on connecting to a PBX. Please refer to our website to check the countries where PBX connection is allowed.
<https://www.aiphone.net/support/software-documents/ix/documents.html>
- Send e-mails: An e-mail can be sent to pre-registered e-mail addresses when triggering event occurs.
- Transmitting video through ONVIF: View Video from Door Station camera with a 3rd party product supporting the ONVIF specification.

Indicators

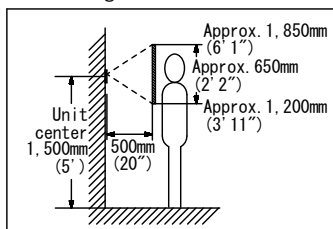
Name	Status *1	Description	Name	Status *1	Description
Status indicator	Red flashing	Booting	Call indicator	Orange flashing	Outgoing calling
		Device error	Communication indicator	Green light	In communication
		Communication failure	Call indicator	Orange flashing	Door releasing
		Firmware version upgrading	+	+	
		Initializing	Communication indicator	Green flashing	
		Calling destination busy			
	Red light	Standby			

*1. The flashing pattern varies depending on the state of video door station.

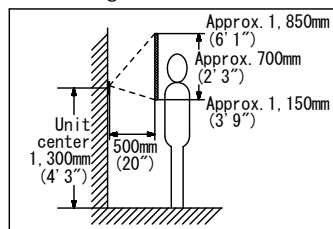
IMAGING RANGE AND MOUNTING LOCATION

Vertical

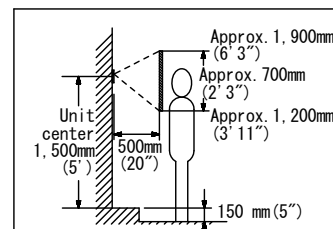
Camera angle 0°



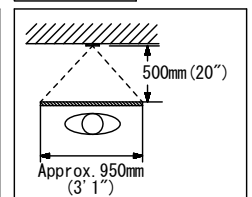
Camera angle +15°



Camera angle -8°
If lower due to a level difference



Horizontal



DESCRIPTION VIDEO DOOR STATION	FIG. NAME FUNCTIONS/IMAGE	UNIT mm	DATE 24 November, 2022
MODEL NO. IX-DB	FIG. NO. 1570253-4-5	PAGE 4/5	REVISION 1
			AIPHONE

■ SETTING

- WEB settings

Configure using a PC

System requirements

Network	Ethernet(10BASE-T, 100BASE-TX)
Web browser	Microsoft Edge / Internet Explorer 10.0, 11.0(TLS1.2 enabled)

Refer to our website for the latest information on system requirements.

- Using the "IX Support Tool" application

Install the application on a PC and use to create the setting file for all stations.

Refer to "■ IX SUPPORT TOOL"

■ IX SUPPORT TOOL

- System requirements

OS	Windows 7 Professional, Windows 7 Enterprise, Windows 7 Ultimate Windows 8, Windows 8 pro, Windows 8 Enterprise Windows 8.1, Windows 8.1 pro, Windows 8.1 Enterprise Windows 10 Home, Windows 10 pro, Windows 10 Enterprise Windows 10 Education, Windows 11 Home, Windows 11 pro, Windows 11 Enterprise
CPU	32 bit (x86) processor or 64 bit (x64) processor of 1 GHz or higher
Memory	4 GB RAM or higher
Screen resolution	1280x768 or greater

- Functions

- Settings(Table View)---All stations in the system can be configured from the Settings window.
- Settings(Station View)---Configure each station in the system individually.
- Setting File Download---Store the Settings File
- Setting File Upload---Upload the Settings File
- Station Search---Search the stations in IX System connected in the network to show the list.
- Station Replacement---this feature to replace a station.
- Restore System Settings---If the setting file is lost, the setting file can be restored.
- Update Firmware---Update the firmware for the station.

- Restrictions

- If the station was configured or modified using the web interface, the setting file cannot be downloaded using the IX Support Tool.

■ IX SUPERVISION TOOL

Install the application on a PC and use to Line supervision and device check for stations.

- System requirements

OS	Windows 7 Professional, Windows 7 Enterprise, Windows 7 Ultimate Windows 8, Windows 8 pro, Windows 8 Enterprise Windows 8.1, Windows 8.1 pro, Windows 8.1 Enterprise Windows 10 Home, Windows 10 pro, Windows 10 Enterprise Windows 10 Education, Windows 11 Home, Windows 11 pro, Windows 11 Enterprise
CPU	32 bit (x86) processor or 64 bit (x64) processor of 1 GHz or higher
Memory	4 GB RAM or higher
Screen resolution	1280x768 or greater

- Functions

- Line Supervision---By checking the response to a ping, this feature confirms that the station is properly connected to the network.
- Device Check---This function to determine whether stations are operating normally or malfunctioning.
- Download Video and Audio---To download recordings of the Station's micro SD card.

DESCRIPTION	FIG. NAME	UNIT	DATE
VIDEO DOOR STATION	SETTING/IX SUPPORT TOOL/ IX SUPERVISION TOOL	mm	24 November, 2022
MODEL NO.	FIG. NO.	PAGE	REVISION
IX-DB	1570253-5-5	5/5	1
			AIPHONE