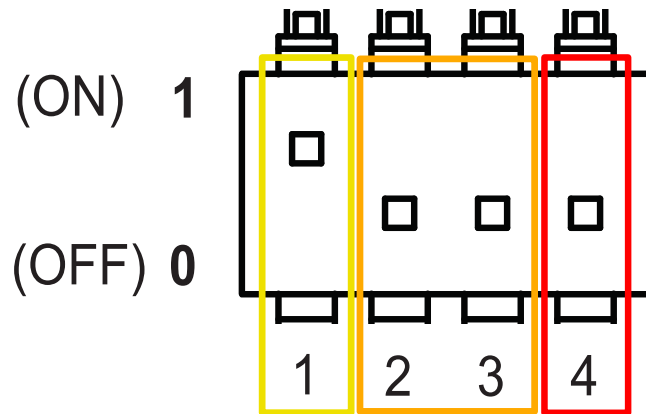
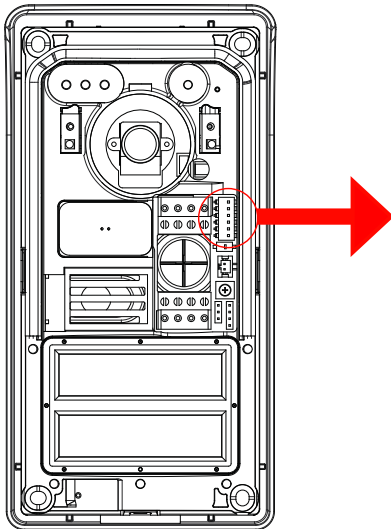


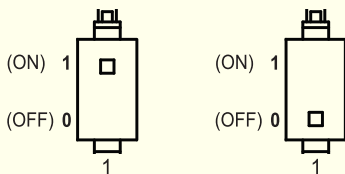
K42915 - K42945 Dipswitch Configuration

The basic functions of the outdoor stations can be configured with the dip switches at the top right hand corner of the door station.



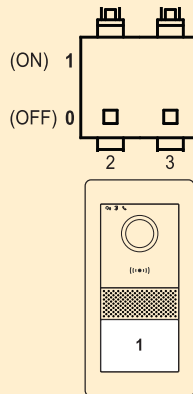
DIP 1:
Sets the outdoor station to Master or Slave

Master Slave

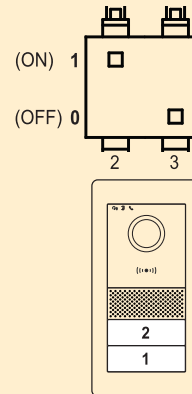


DIP 2-3:
Sets the button configuration

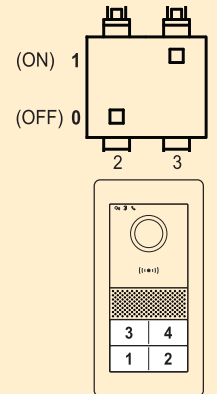
Single



Double

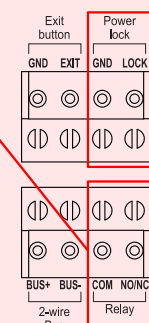
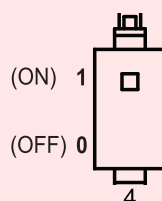


Quad

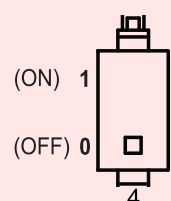


DIP 4:
Sets default locking preference from monitor

Relay

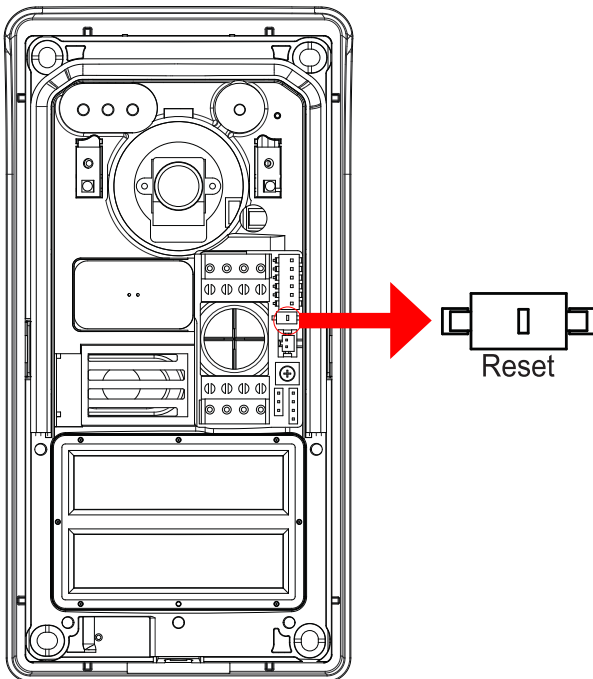


Power Out



K42915 - K42945 Reader Configuration

Basic step by step guide for the reader configuration:



Adding Administrations Keys

- 1) Press the reset button twice quickly. 4 *beeps* will sound to confirm
- 2) Present the "Admin Add Key" to the reader
- 3) Present the "Admin Remove Key" to the reader

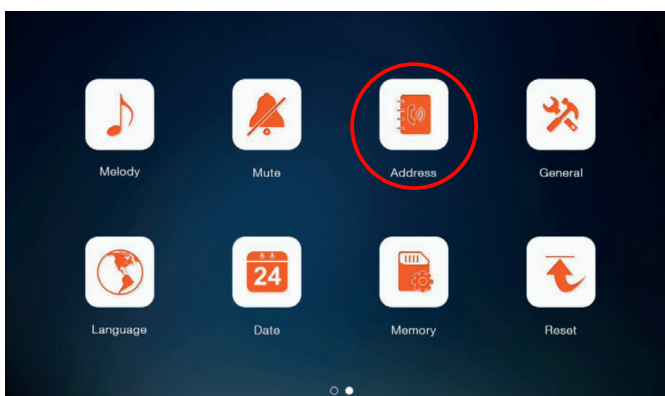
Adding User Keyfobs

- 1) Present the "Admin Add Key" to the reader. Long *beep* will sound to confirm
- 2) Load as many keyfobs required
- 3) Reader will time out after 5 seconds with 4 *beeps*

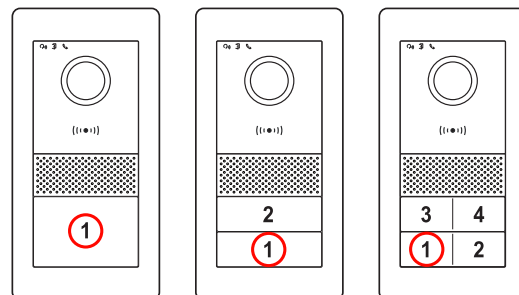
Removing User Keyfobs

- 1) Present the "Admin Remove Key" to the reader
- 2) Present the key you wish to remove
- 3) Reader will time out after 5 seconds with 4 *beeps*

K42915 - K42945 Monitor Programming



Appartment number will match the outdoor station button ID



Extension number refers to any slave monitors within a unit

