

Permaconn Keypad Interface for DSC Power Series



PERMACONN™

- **Install the Keypad Interface.**
- **Setup the Keypad Interface.**

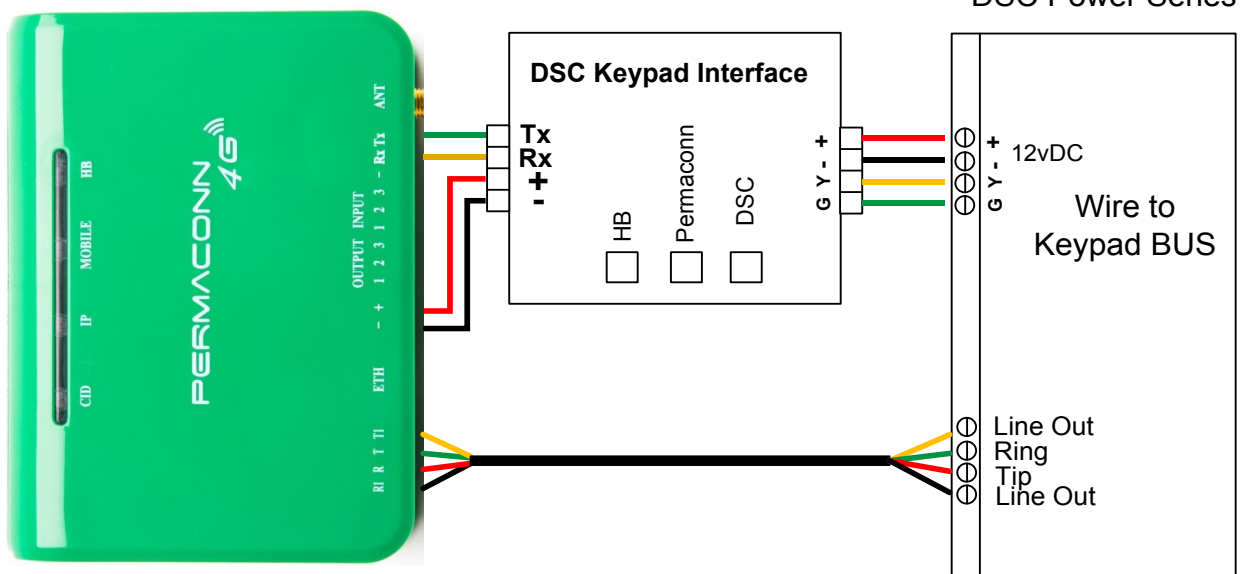
Compatible with PM24 / PM45 v3 4G / PM1048 / PM54

The Keypad Interface allows the user on Pocket Secure Pro to:

- Select between two or more Partitions.
- Arm/Disarm/Stay on one or more Partitions.
- Bypass individual zone on one or more Partitions.
- Select Push notifications on Alarm, Operation and System Events.
- Arm/Disarm through keypad Interface , no keyswitch required.
- Disarm system with user code.
- Control the outputs on the Permaconn device.
- Map panel Users/Zones.
- Send location aware panic notifications.

Install the Keypad Interface

Wiring For DSC Power Series Keypad Interface



Keypad Interface LED's		
HB	Flash	CPU 'OK'
Permaconn	Flash	Communication between Permaconn and Keypad interface 'OK'
DSC	Flash	Communication Keypad interface and DSC panel 'ok'

Enrol the Keypad Interface DSC Power Series

- * + 8 + Installer code (Enter program mode)
- * + 902 (Module Supervision Reset wait 1 minute)
- * + 903 (Module Supervision Field)
- * # + # (To exit program mode)

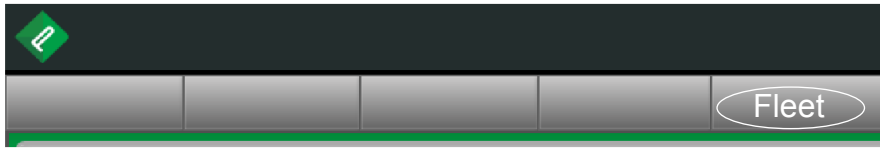
Setup the Keybus Interface.



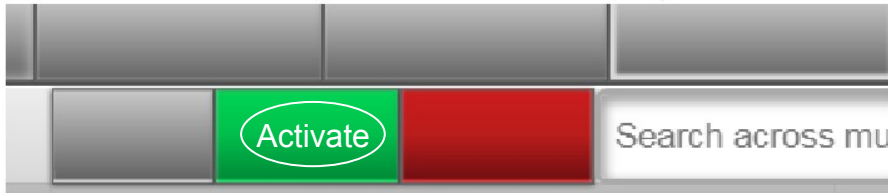
PERMACONN™

How to activate the Keybus Interface online

1: Log onto Atlas select Fleet



2: Select Activate Tab



3: Select / Enter information then press Next

Permaconn Activation	
Serial Number:	<input type="text"/>
Central Station:	<input type="text"/> ▼
Poll Plan:	<input type="text"/> ▼
Account Prefix:	<input type="text"/> ▼
Name:	<input type="text"/> ▼
<input type="button" value="Close"/> <input type="button" value="NEXT"/>	

Fill in the necessary information

4: Select / Enter information then press Activate

Permaconn Activation	
Activation Summary	Device Options
Serial Number: <input type="text"/>	<input type="checkbox"/> Enable Fix Account
Central Station: <input type="text"/>	
Poll Plan: <input type="text"/>	Interface Type: <input type="text" value="Keypad Interface- DSC Power Series"/> ▼
Account Prefix: <input type="text"/>	
Name: <input type="text"/>	
Signatory	<input type="button" value="Back"/> <input type="button" value="Activate"/>

Select Keypad Interface- DSC Power Series From the drop down menu.

Successful install and setup shown below

Requirements	Information
Product	PM 45 V3 4G[Keypad IF] ?
Power Supply	OK ?