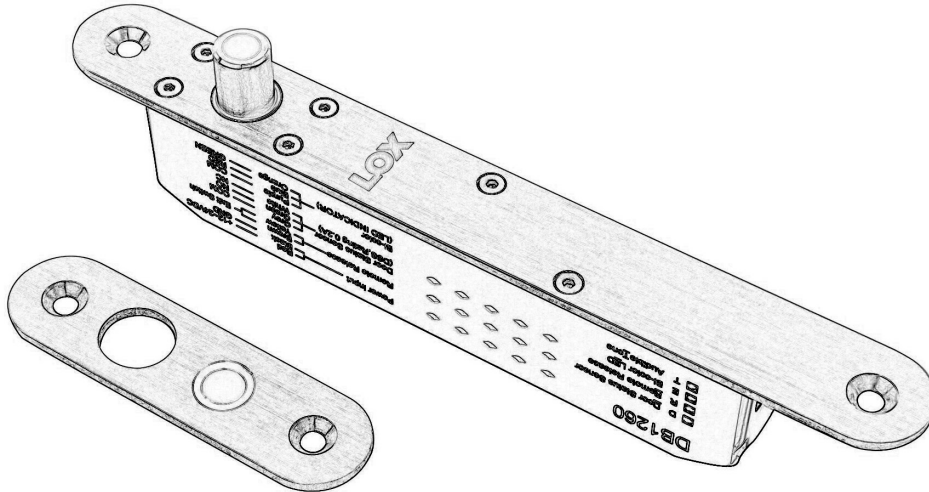


DB1260 High Security Drop Bolt Installation Manual



Introduction

The DB1260 is a solenoid operated Drop Bolt supplied in either Power To Lock (P.T.L.) or Power To Open (P.T.O.).

The correct version of the DB1260 MUST be ordered in the correct function (i.e. P.T.L or P.T.O.) as they cannot be changed.

The DB1260 may be installed vertically in the lock style of the door frame or horizontally in the door frame header. It has a symmetric dead-bolt mechanism to allow the device to be used on 180 degree swing through doors.

Applications

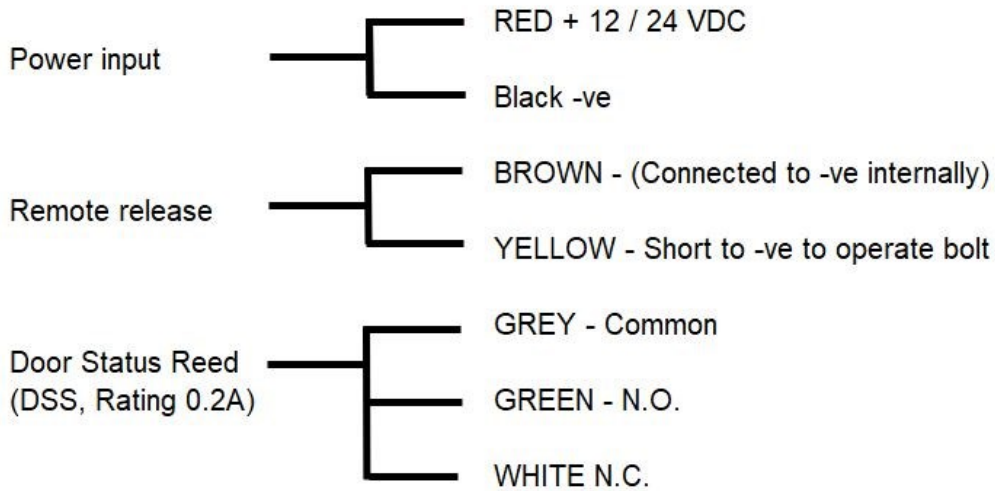
The DB1260 Drop Bolt can operate with any type of access control or D.C. intercom system as the sole means of locking, either hinged or pivot hung doors including 180 degree swing through doors. They are not recommended for sliding doors.

It can also be applied to hinged doors as an additional locking device to add extra security and strength to a door set.

The device is not weather resistant and should only be installed in a weather protected area.

Power Input	12-24VDC
Power Consumption	Minimum 2A Regulated Power Supply recommended Locking/unlocking cycle current is 1.15A (12V)
Monitoring switch	Door position reed switch 30VDC 0.2A Max Green - (N.O.) Grey - (COM.) White... (N.C.)

DB1260 Wiring Diagram



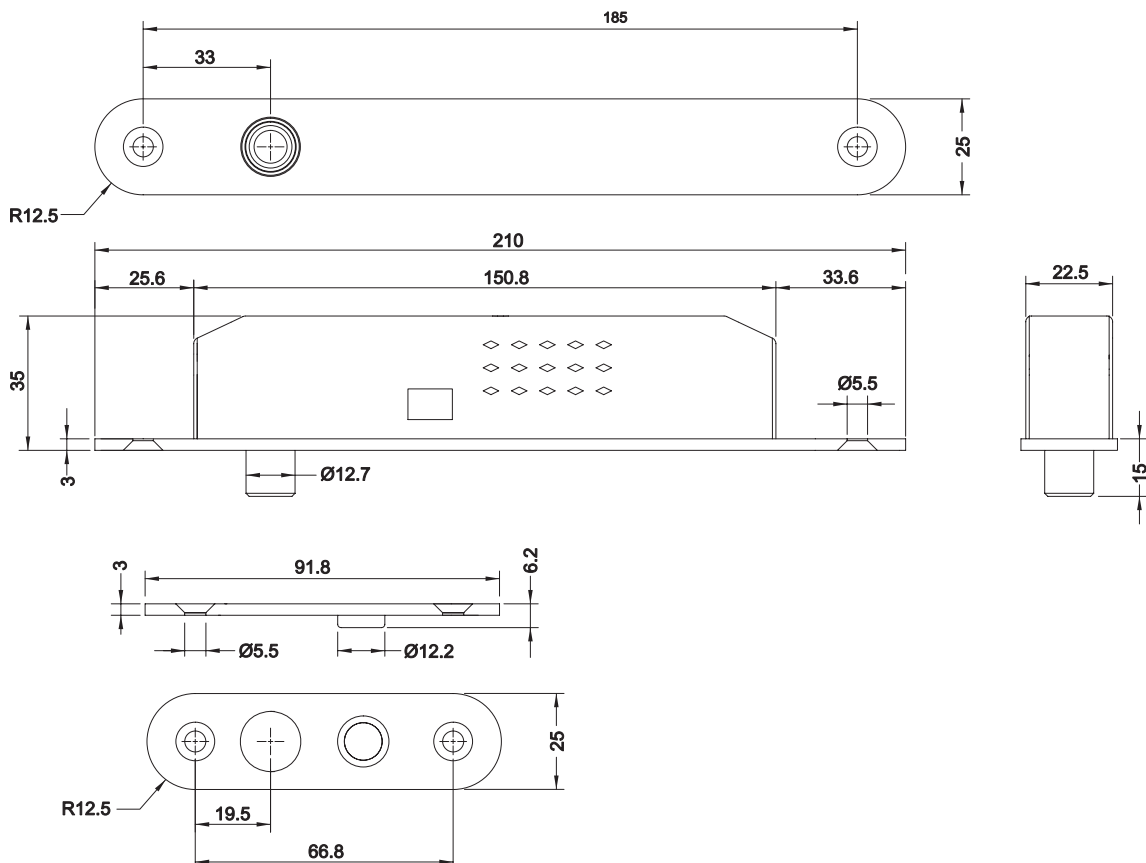
Wiring Note:

DB1260 PTL (Power To Lock) can operate on 2 wires with either +ve or -ve switched to operate. Lock requires striking plate to be in position for door to be relocked. The "Remote Release" input is optional for PTL operation, and can be used as a local exit button, or from the access control.

DB1260 PTO (Power To Open) can only operate on a mininium of 3 wires. If used with 2 wires the bolt will extend regardless of the door position when power is removed, which may cause damage to an open door when closed.

The DB1260 PTO requires permanent +ve and -ve power, with the "Remote Release" input used to control bolt operation. Either a relay switching the BROWN and YELLOW cable OR -ve voltage on the YELLOW cable will operate the bolt.

Alternatively, rather than using the Yellow cable to control the lock the access control driving the DB1260PTO can be configured such that power is retained on the DB1260PTO until the access control senses the door being closed. This is to prevent the bolt extending down before the door is closed.



Bi-Colour LED		Buzzer Status	
1 Blinks green every 5 secs.	Extend successfully	Beep..Beep	Bolt extended successfully
2 Red blinks fast	Waiting to extend	Beep...Beep 10 secs	Operation failed
3 Red blinks slowly	Delay to relock		Bolt retracted successfully
4 Red/green blink alternatively	Bolt remain retracted		

DIP Switch Settings



Dip switches

- #1 - controls time delay reset - normally set to OFF - up
- #2 & 3 - Sets relock time delay - normally set to 3 secs, 3 down
- #4 - buzzer OFF - up, ON - down, normally set to off

LED and Buzzer Notes

LED is useful when setting up the bolt. The LED is normally left in the frame and not used once the installation is complete. The buzzer can be useful as an audible indicator but can be disabled by DIP 4 in the UP or OFF position.

Surface Mounting Options - Solid or Glass Door

If **surface mounting** of the lock is required a stainless steel box is available to accommodate the DB1260 lock. This box can be attached to a solid surface via two keyhole attachment points.

If the lock is to be used on a **full glass door** then it is recommended to adhere the box with 3M VHB tape.

Glass door preparation

1. All surfaces must be clean, free of dirt, oil or grease.
2. Apply 3M VHB adhesive (not supplied) in accordance with the manufacturers instructions.

The DB1260-BOX is supplied with a trim plate to hide the box through the glass.

The striking plate may also be surface mounted by using the same DB1260-BOX. In this situation the longer striking plate (DB1260L-PLATE MAG) will need to be purchased with also fits into the DB1260-BOX.

