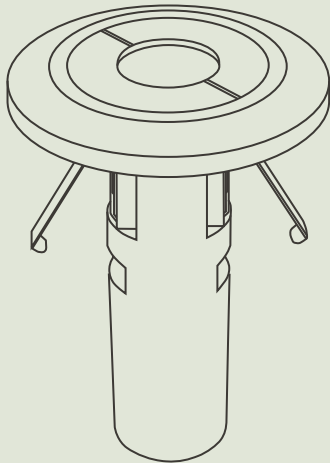


CAMO CURTAIN

TECHNICAL INFORMATION MINIATURE CURTAIN PIR



FEATURES:

- Provides inconspicuous detection for corridors, passageways and storage rooms
- Suitable for intrusion, CCTV activation, access control and similar systems
- Fast and easy flush-mount installation with 22 mm drill
- Superior immunity to false alarms
- Adapter plate removable for reduced physical profile.
- Easy snap-fit installation
- NC contacts.

2 YEAR
WARRANTY

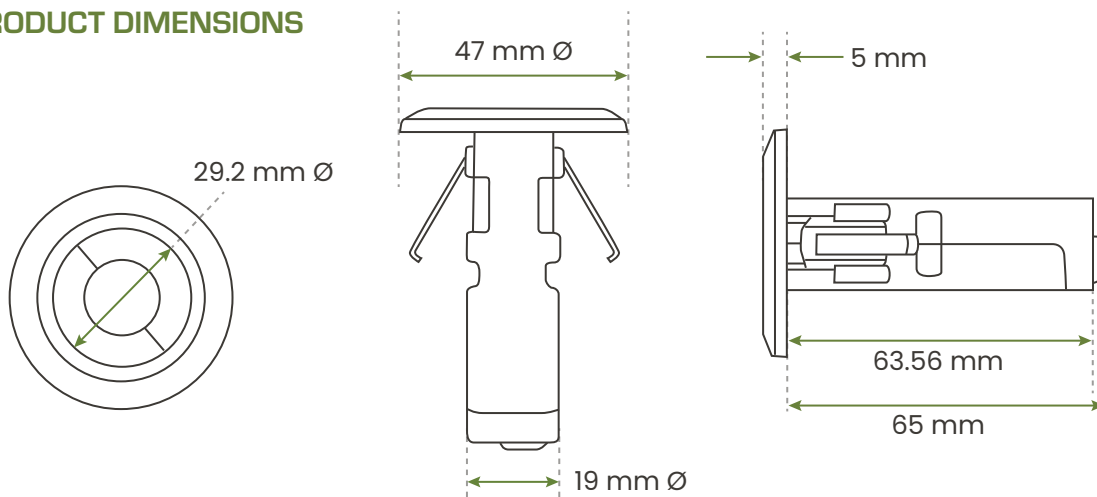
APPLICATION

High performance with an inconspicuous installation, this product is able to be ceiling or wall mounted allowing you to seamlessly integrate it into a number of applications within any security system. Utilised for presence detection, intrusion and/or access control or relay inputs/outputs, the CAMO sensor is virtually unnoticeable.

TECHNICAL PARAMETERS

Operating voltage: DC 12-24V $\pm 10\%$
Operating current: 12mA (DC 12V power)
Standby current: 6mA (DC 12V power)
Operating temperature: $-20^{\circ}\text{C} \sim +60^{\circ}\text{C}$
Max detection range: 2.8 M x 1.0 M
Min detection movement speed: 0.1 M/S
Max installation height: 3.5 M
Dimensions: 70 mm(L), 47 mm \varnothing

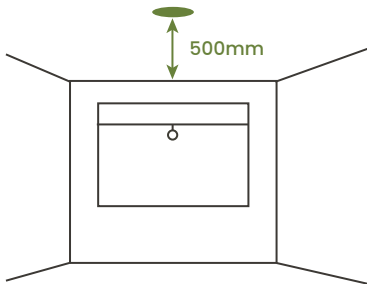
PRODUCT DIMENSIONS



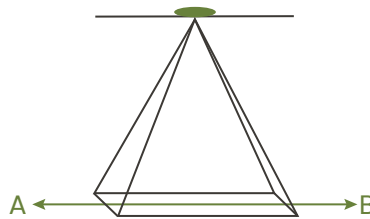
PLACEMENT AND ALIGNMENT

For best results, mount at a minimum of 500mm in from any glass wall.

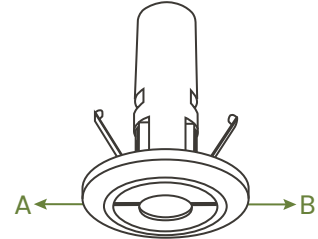
The A-B axis aligns with the grooves on the face of the PIR.



PLACEMENT



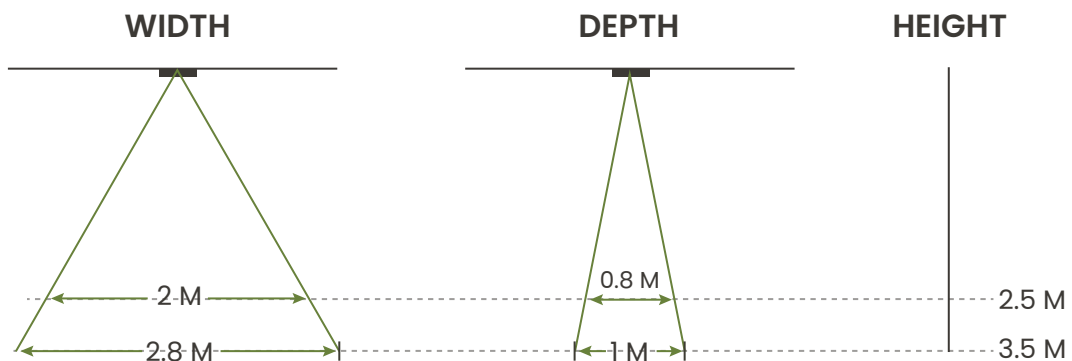
DETECTION AREA AXIS



GROOVE ALIGNMENT

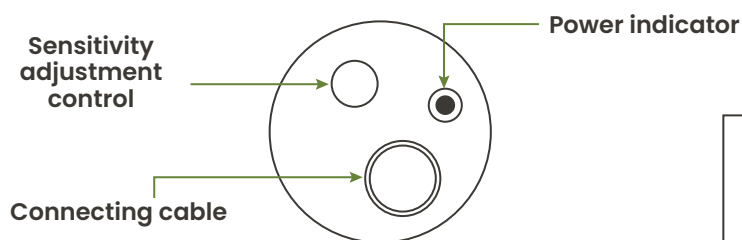
DETECTION RANGE

The detection range varies with the sensitivity adjustment.



POWER INDICATION, ADJUSTMENTS AND WIRING DIAGRAM

REAR VIEW



NOTE: Turn clockwise to increase sensitivity, turn counterclockwise to decrease sensitivity.

WIRING

RED	—●	} +DC
BLACK	—●	
GREEN	—●	} -DC
WHITE	—●	
	—●	} COM
	—●	
	—●	} NC
	—●	