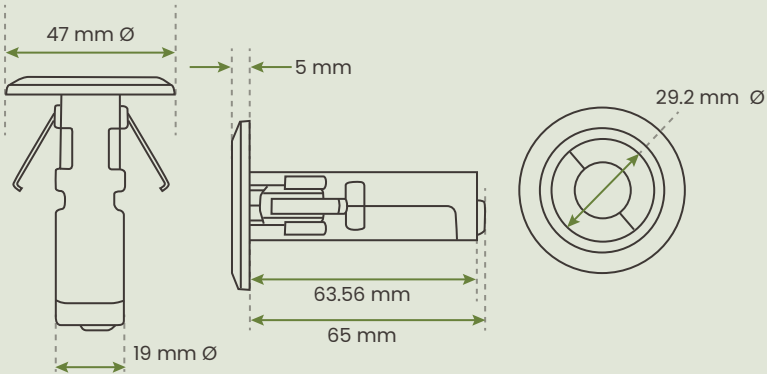


CHMÜ CURTAIN

INSTALLATION INSTRUCTIONS MINIATURE CURTAIN PIR



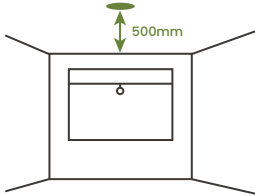
The PIR is designed to be mounted in a ceiling or a wall.

1. To install, first drill a 22 mm hole in the desired location.
2. If required, remove adaptor plate by twisting it anticlockwise then push down away from the face, past the side spring blades.
3. Feed the wiring into the hole, then insert the narrow body of the PIR part way into the hole.
4. With your thumb and finger, depress the two side spring blades until the bent ends are flush with the body.
5. Gently ease the remaining body length into the hole. The sideways pressure will retain the PIR in position.
6. Removal: Insert wide, flat blades such as a steel rule, between the PIR and ceiling/wall surface, at opposite sides of the wide end of the PIR, then gently twist each blade to partially displace the PIR. Grasp the wide end with the fingers of one hand and gently pull the PIR out of the hole, allowing the side spring retaining blades to expand as the body passes through the hole.
7. Detection area alignment: Prior to fully seating the PIR in its final position, twist the wide end so the alignment groove (across part of the face) is coincident with the wide part of the detection area.

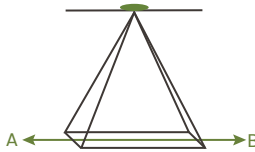
PLACEMENT AND ALIGNMENT

For best results, mount at a minimum of 500mm in from any glass wall.

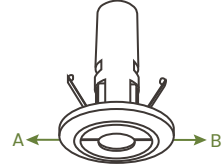
The A-B axis aligns with the grooves on the face of the PIR.



PLACEMENT



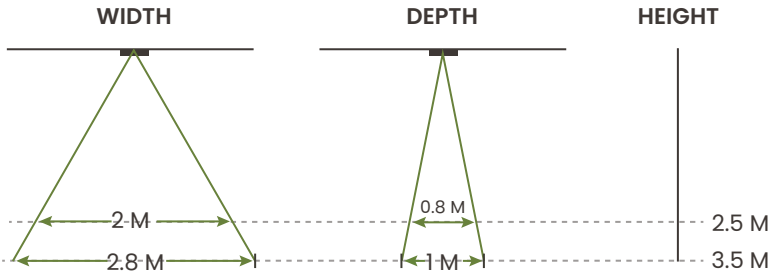
DETECTION AREA AXIS



GROOVE ALIGNMENT

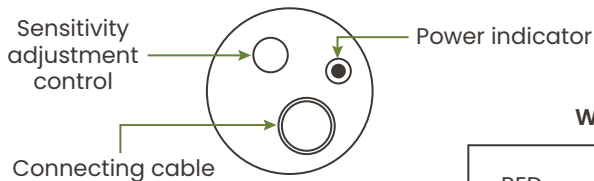
DETECTION RANGE

The detection range varies with the sensitivity adjustment.



POWER INDICATION, ADJUSTMENTS AND WIRING DIAGRAM

REAR VIEW



NOTE: Turn clockwise to increase sensitivity, turn counterclockwise to decrease sensitivity.

WIRING

RED	—●	} +DC
BLACK	—●	
GREEN	—●	} COM
WHITE	—●	
	—●	} NC