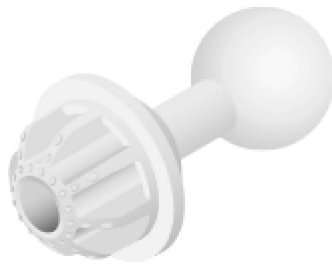


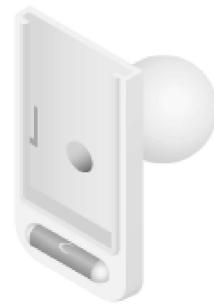
Package Contents



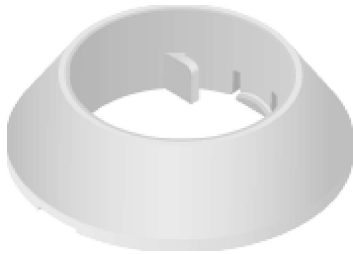
Mount Arm



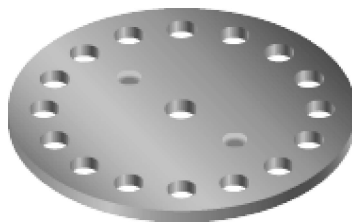
Universal Ball Mount



Bracket Mount



Rotation Collar



Stacking Washer



Ball Mount Washer

Supported Products

The Quick Mount is compatible with the GigaBeam™, LTU™ Lite, NanoBeam®, NanoStation®, NanoStationLoco, and UniFi® Building-to-Building Bridge.

- NBE-2AC-13, NBE-M5-16, UBB, or GBE using the Universal Ball Mount
- NBE-5AC-Gen2 or NBE-M5-19 using the Universal Ball Mount and Metal Washer
- loco5AC, NS-5AC, or LTU-Lite using the Ball Mount Assembly



Quick-Mount Quick Start Guide



1 Stacking Washer

Part of the Quick-Mount assembly that locks the Rotation Collar into place.

2 Rotation Collar

Part of the Quick-Mount assembly that stabilizes the base of the Mount Arm.

3 Mount Arm

Adjustable mount compatible with a variety of Ubiquiti CPE devices.

4 Ball Mount Washer

Used in conjunction with the Universal Ball Mount when installing the NBE-5AC-Gen2 or NBE-M5-19.

5 Universal Ball Mount

Used when installing the NBE-5AC-Gen2, NBE-2AC-13, NBE-M5-19, NBE-M5-16, UBB, or GBE.

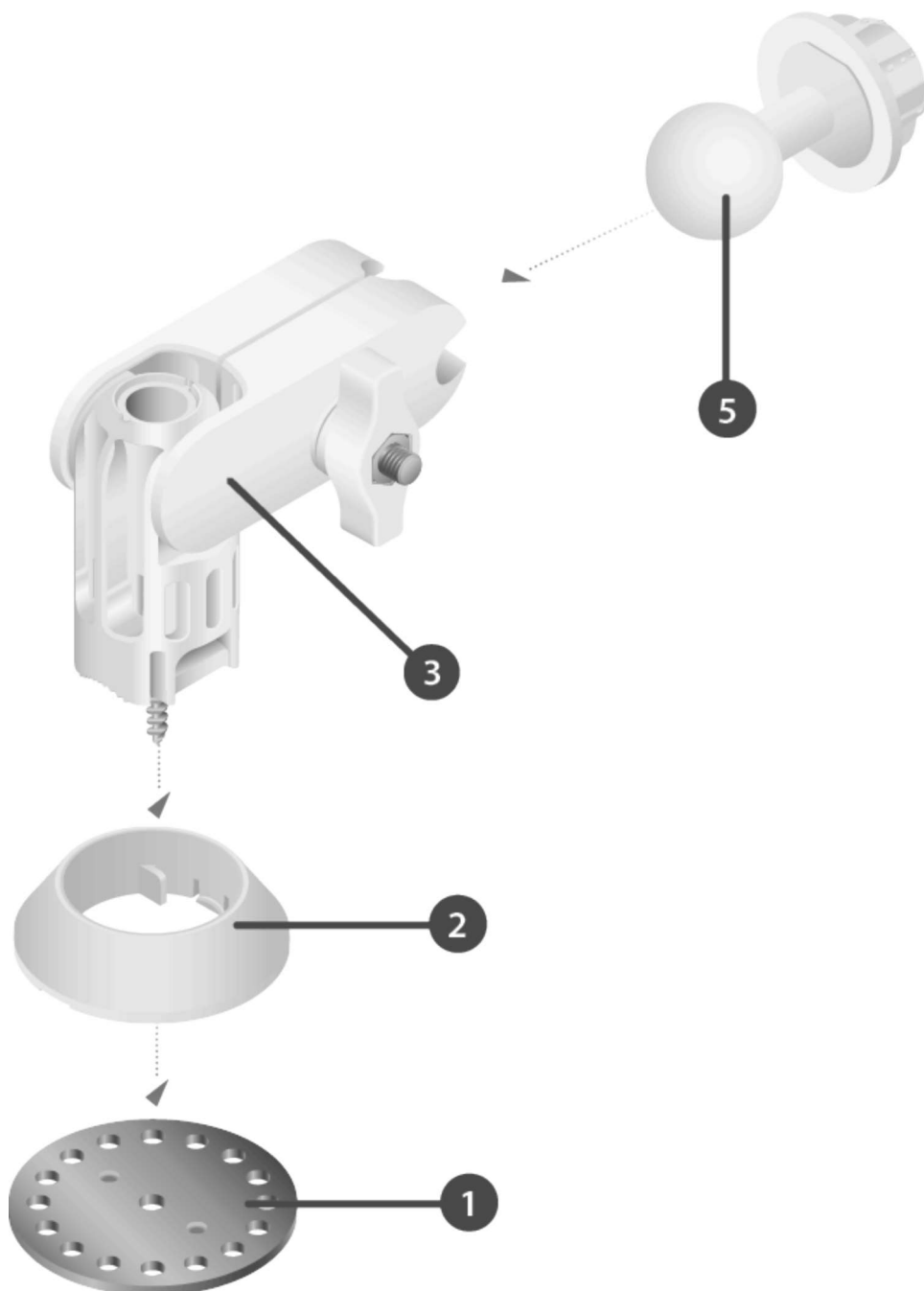
Quick-Mount Quick Start Guide

Used when installing the loco5AC, NS-5AC, or LTU-Lite.

Models

- NBE-2AC-13
- NBE-M5-16
- UBB
- GBE

Components

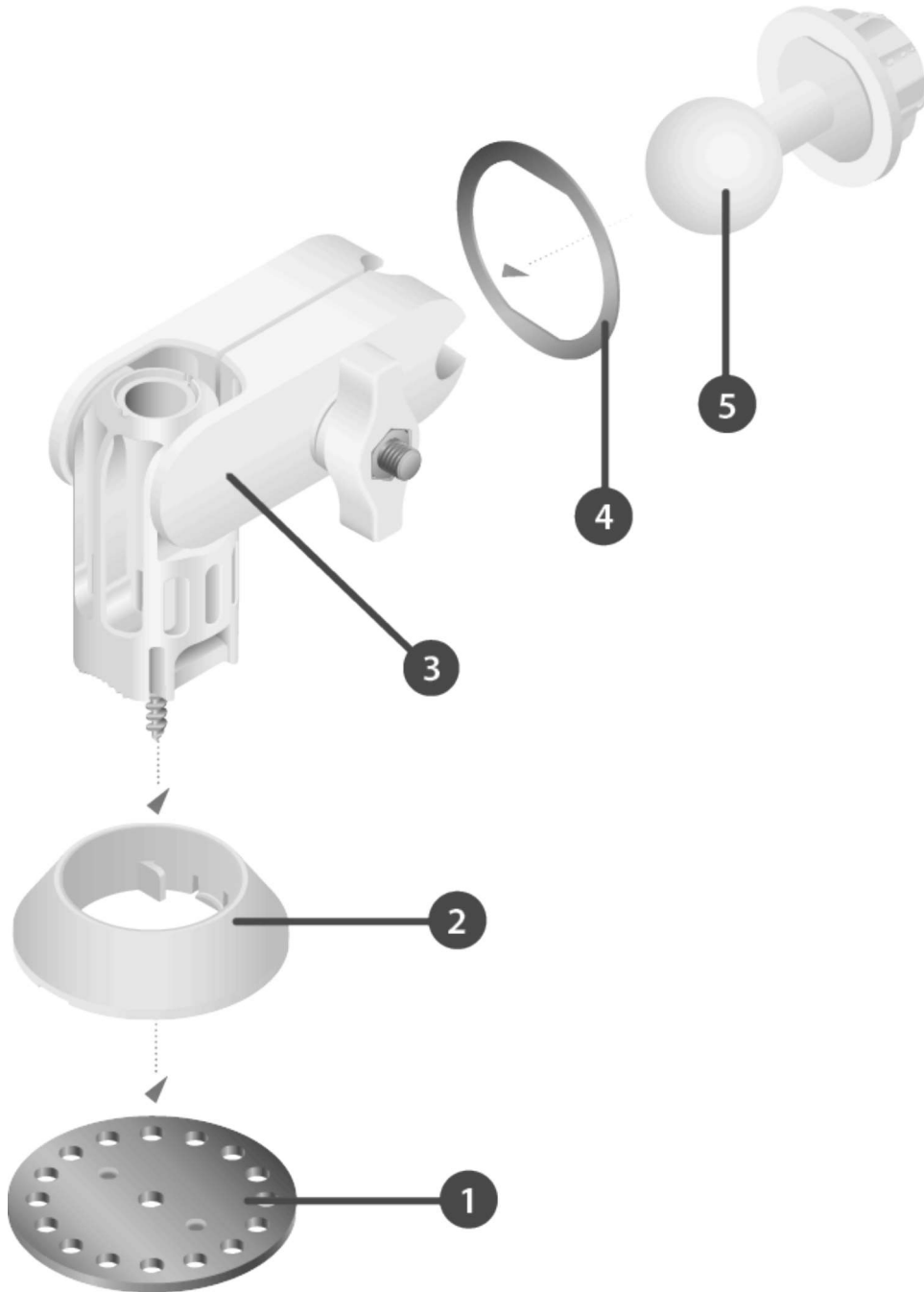


Note: The device's Lock Ring will also be used.

Quick-Mount Quick Start Guide

- NBE-5AC-Gen2
- NBE-M5-19

Components

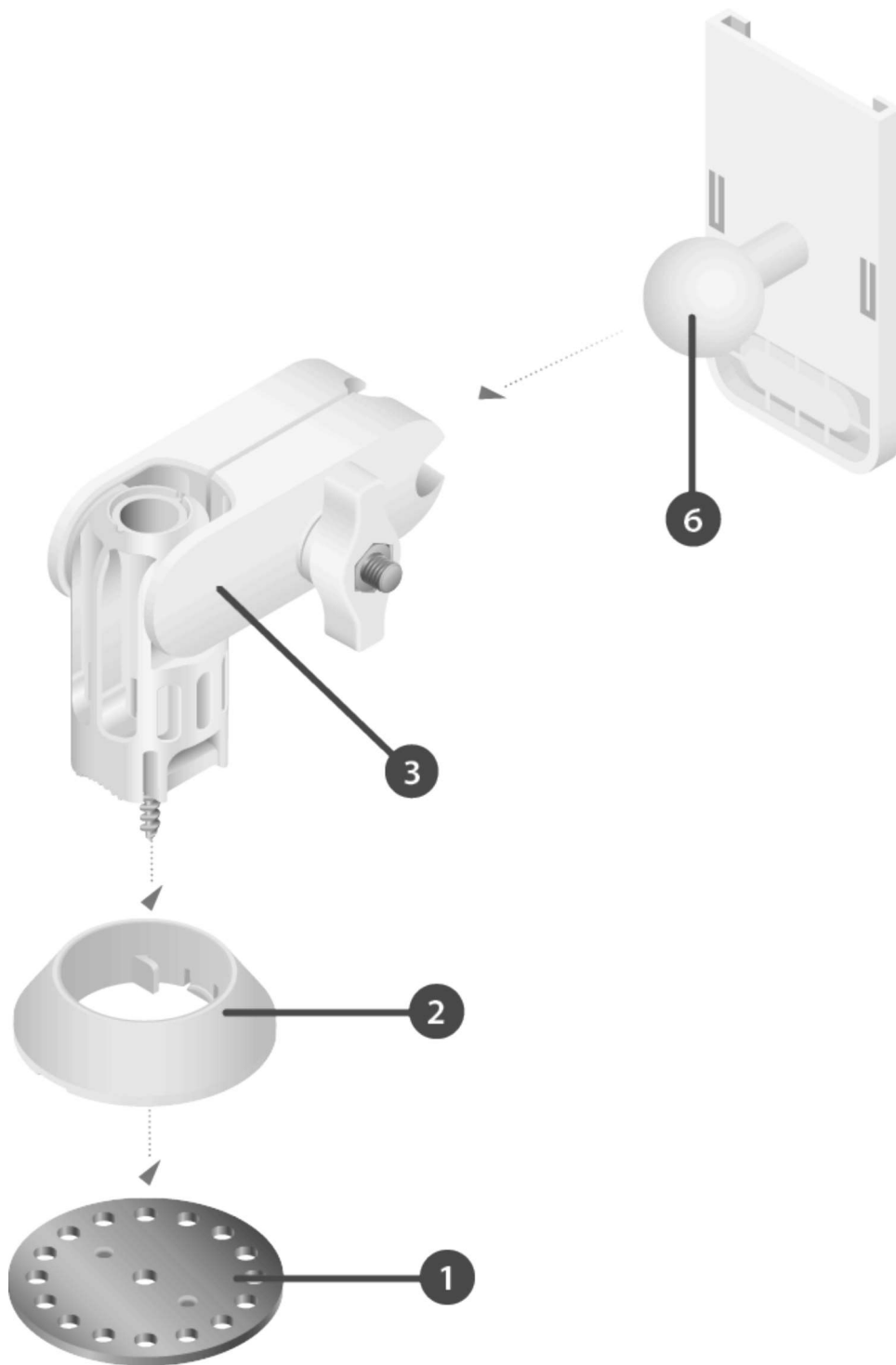


Note: The device's Lock Ring will also be used.

Models

- loco5AC
- NS-5AC
- LTU-Lite

Quick-Mount Quick Start Guide



Installation

Before You Begin

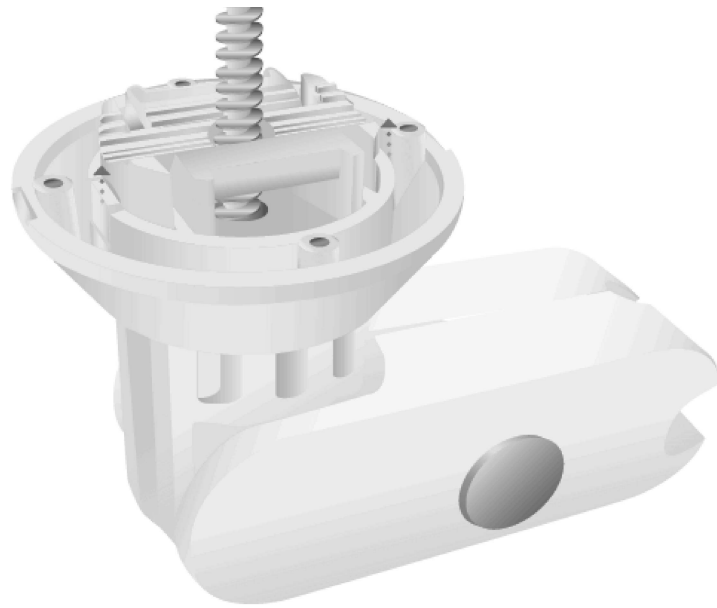
Insert the Mount Arm into the Rotation Collar and press until it is locked in.

Quick-Mount Quick Start Guide

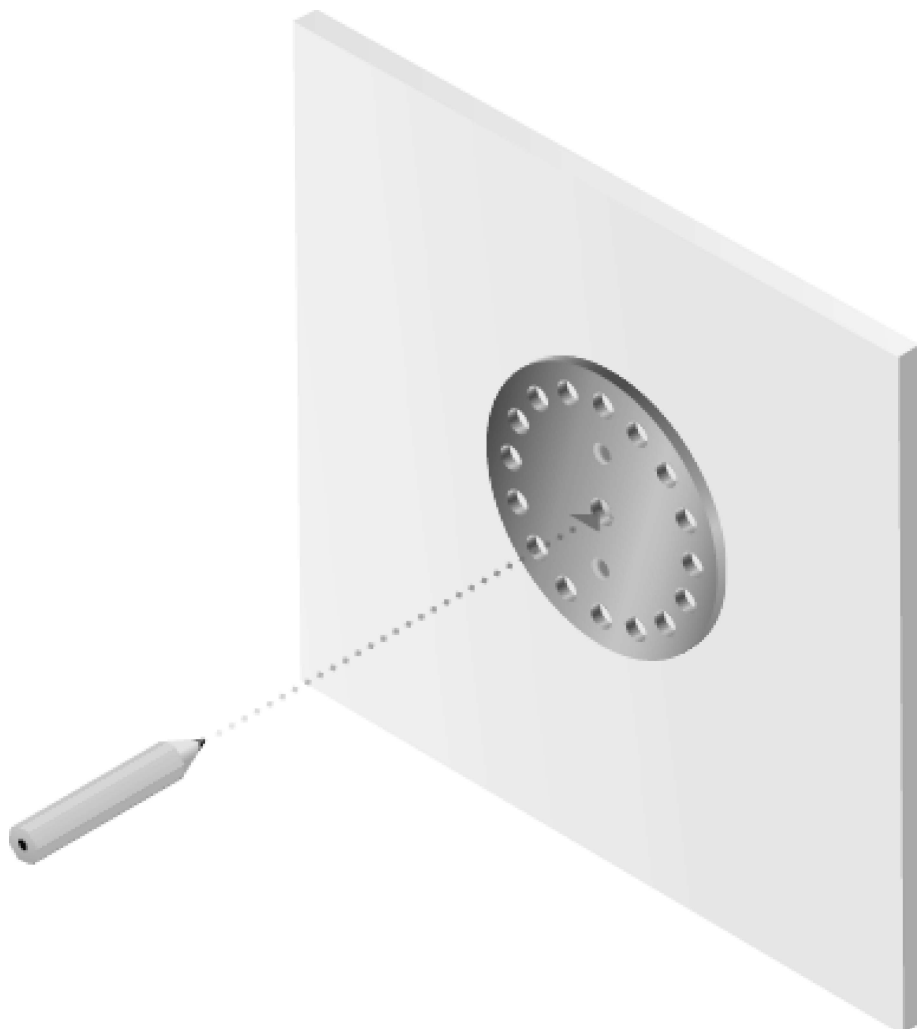


Note: The screw end should extend past the Rotation Collar for installation, as shown below.

Quick-Mount Quick Start Guide

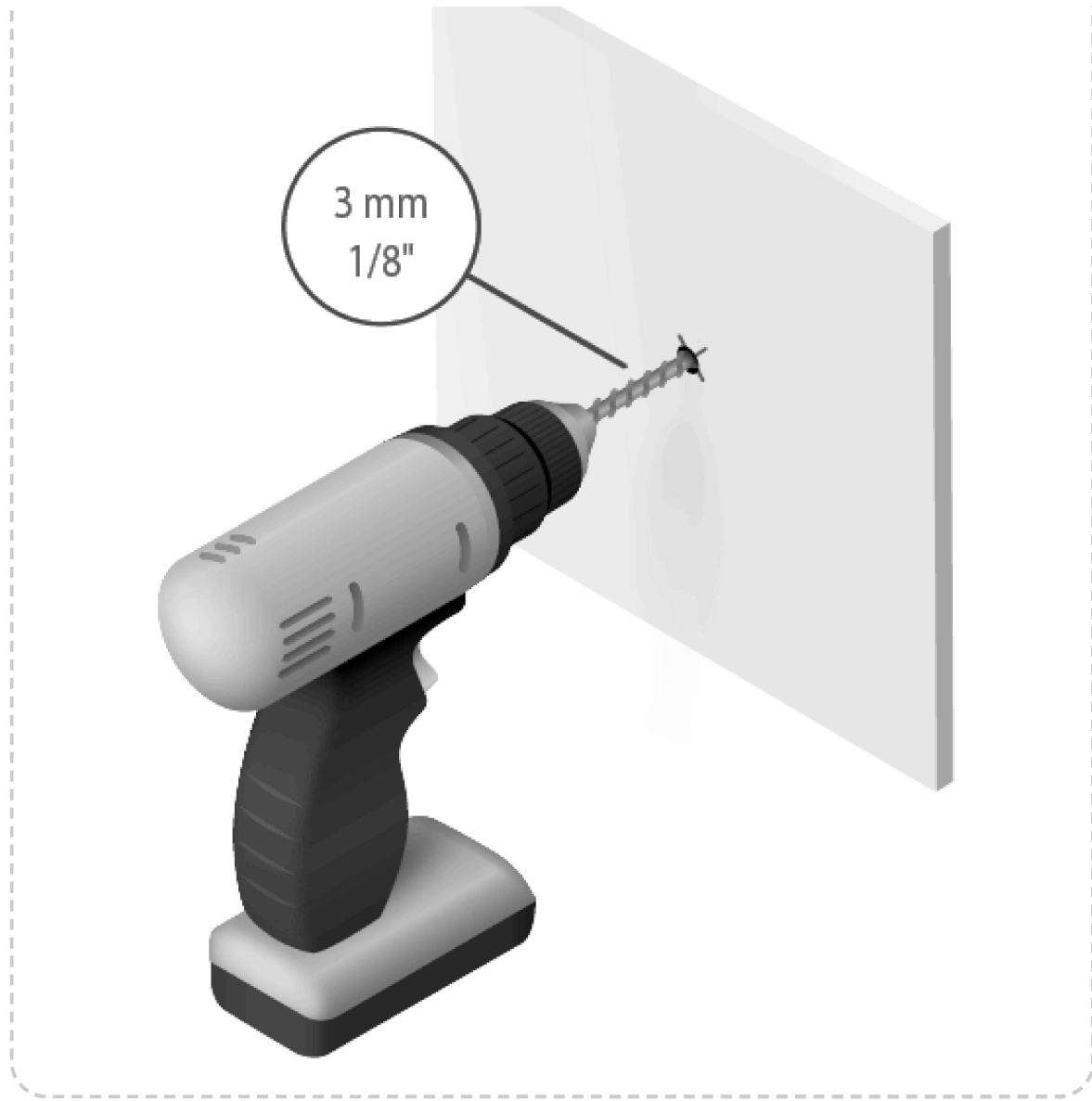


1.

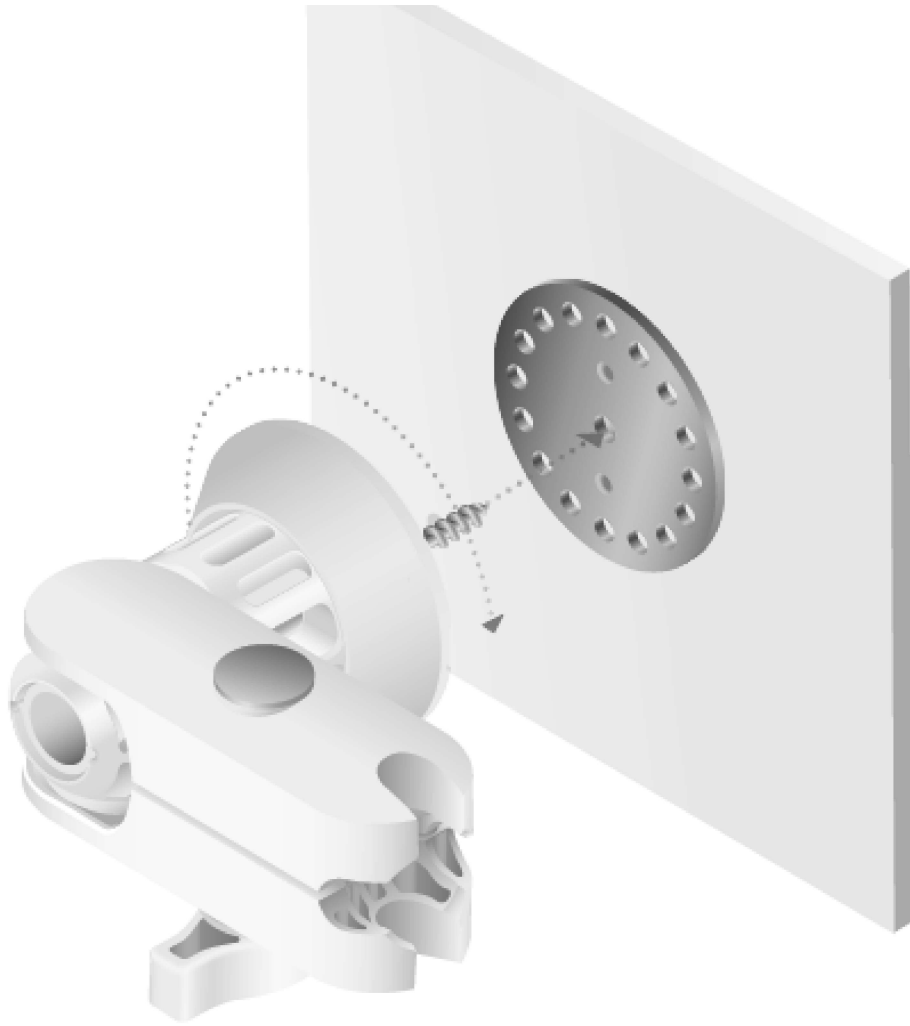


Optional

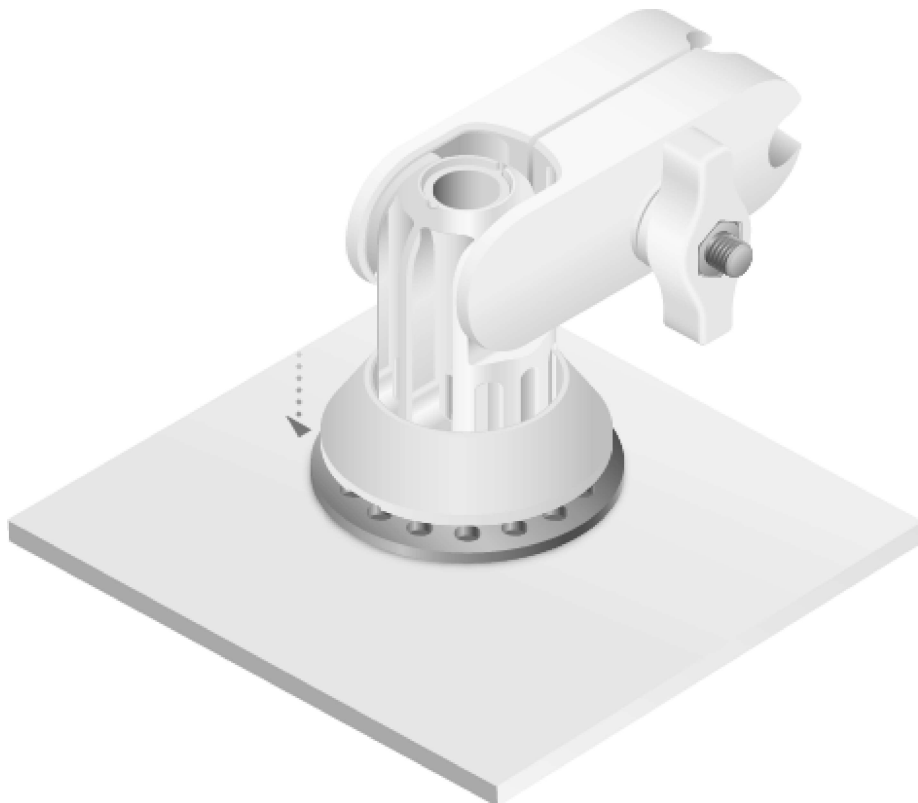
Quick-Mount Quick Start Guide



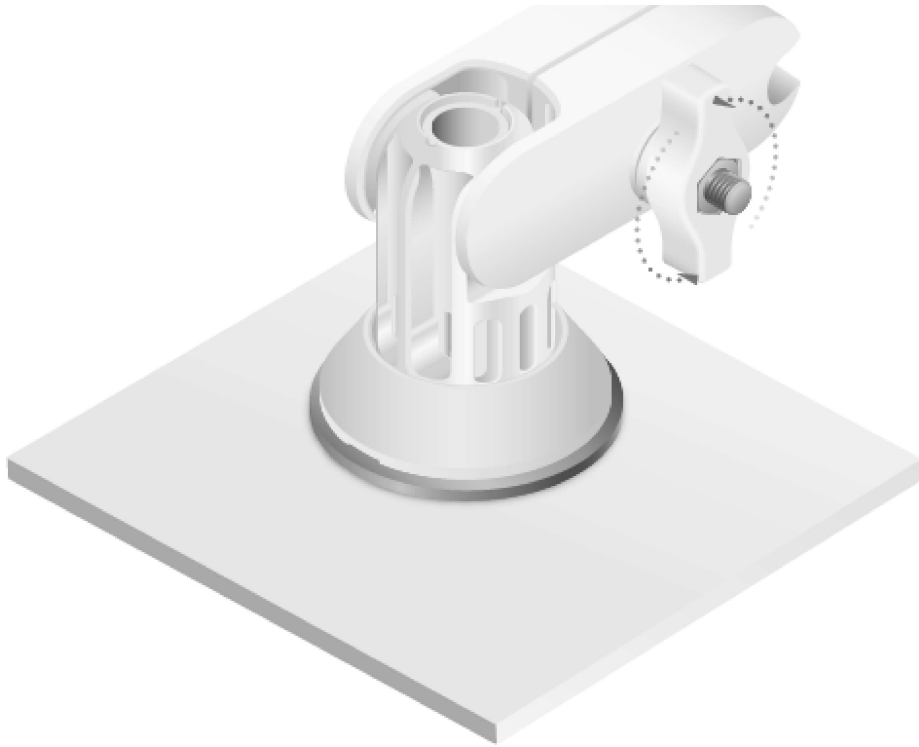
Quick-Mount Quick Start Guide



3.



Quick-Mount Quick Start Guide



5.



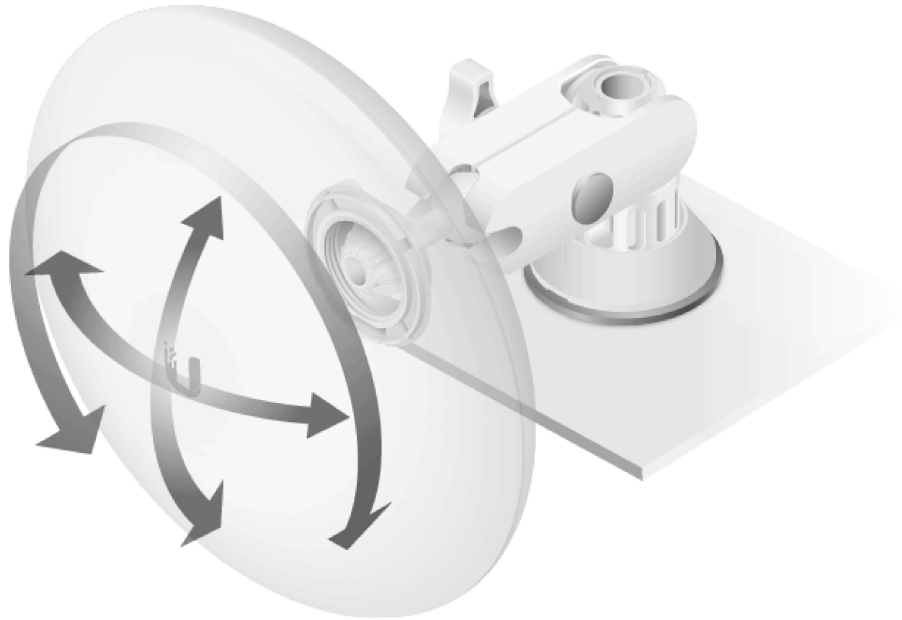
Note: Add the Ball Mount Washer when installing the NBE-5AC-Gen2 or NBE-M5-19.

OR

Quick-Mount Quick Start Guide

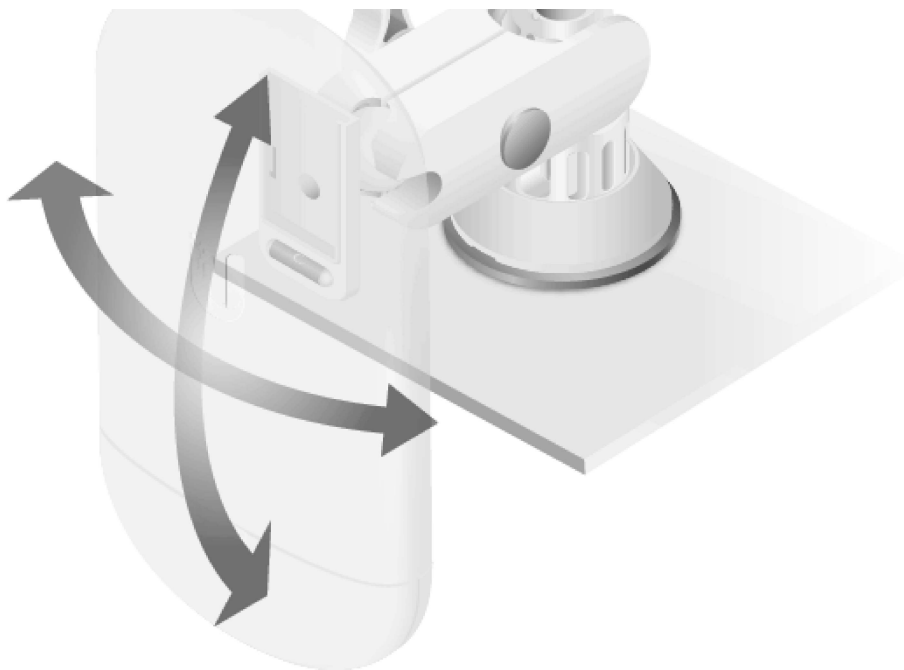


6.

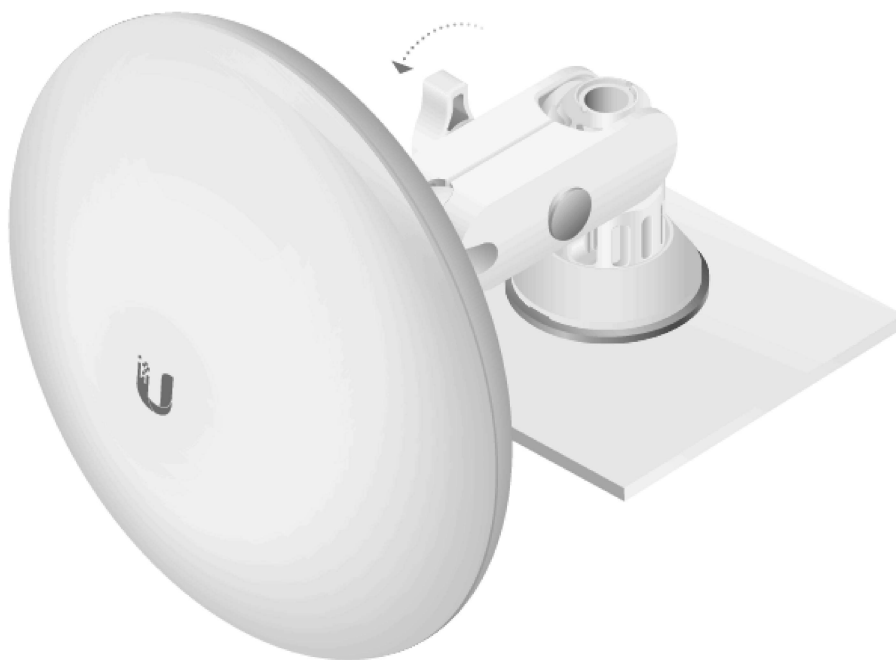


OR

Quick-Mount Quick Start Guide

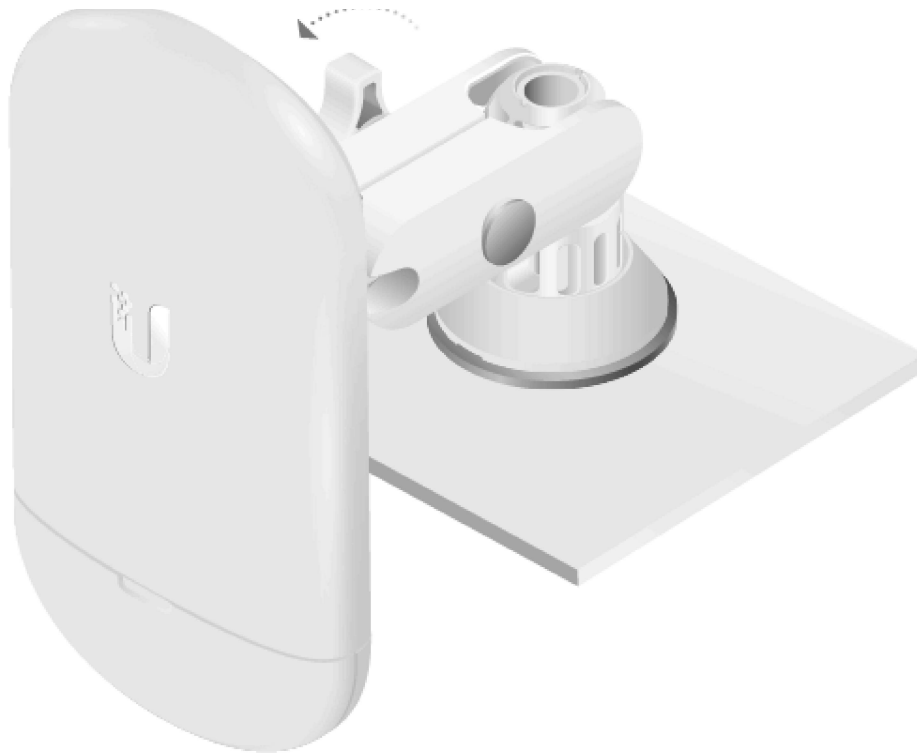


7.



OR

Quick-Mount Quick Start Guide



Specifications

Quick-Mount	
Dimensions	104 x 122 x 81 mm (4.09 x 4.80 x 3.19")
Weight	375 g (0.83 lb)
Device Support	
Ball Mount Assembly	loco5AC, NS-5AC, or LTU-Lite
Universal Ball Mount	NBE-2AC-13, NBE-M5-16, UBB, or GBE
Universal Ball Mount with Ball Mount Washer	NBE-5AC-Gen2, NBE-M5-19

Limited Warranty

ui.com/support/warranty

The limited warranty requires the use of arbitration to resolve disputes on an individual basis, and, where applicable, specify arbitration instead of jury trials or class actions.

Declaration of Conformity

Online Resources

Quick-Mount Quick Start Guide



© 2019-2020 Ubiquiti Inc. All rights reserved.