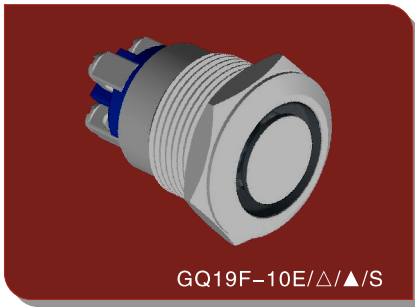
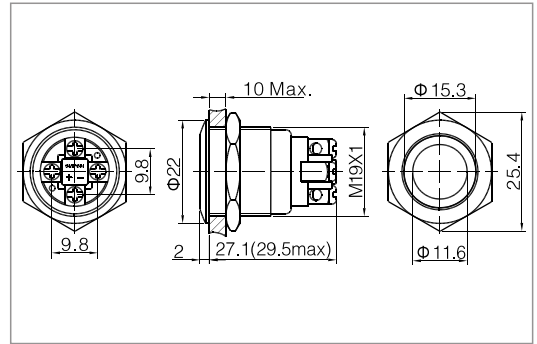


Anti-vandal ring illuminated push button



- ⊙ Φ 19mm Diameter
- ⊙ Switch Rating: 2A/36VDC
- ⊙ Contact Configuration: 1NO
- ⊙ Operation Type: Momentary
- ⊙ The Crust Material: Stainless Steel
- ⊙ Ring Illuminated
- ⊙ IP Degree: IP65,IK09

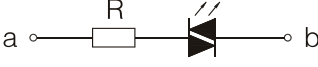


Specification		GQ19F-10E/Δ/▲/S	
The Front Shape		Flat Round	
Terminal Type		Screw Terminal	
Switching		X(double-break slow-motion contact)	
Max. Switch Rating		2A/36VDC	
Contact Resistance		≤50mΩ	
Insulation Resistance		≥1000MΩ	
Dielectric Intensity		2000VAC	
Operating Temp		-20°C ~ +55°C	
Mechanical Life		1,000,000 cycles	
Electrical Life		200,000 cycles	
Panel Thickness		1 ~ 10mm	
Torque		5 ~ 14Nm	
Operation Pressure		About 4N	
Operation Travel		About 1.8mm	
IP Degree		IP65,IK09	
Material	Contact	Silver Alloy	
	Button	Stainless Steel	
	Body	Stainless Steel	
	Base	PBT	
	RoHS	Made to order	
LED	Type	Ring Illuminated(LED)	
	Rated Voltage	6V / 12V / 24V	
Spec.	Color	R G Y O B W	
	Life	40000小时	


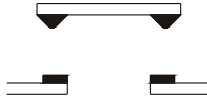
Part-number Description >>

GQ	19	F	- 10	E	/ ◆ /	△ / ▲ /	S	
Code of series	Mounting hole 19 Φ19mm	The Front shape F Flat Round	Contact structure 10 1NO	Lamp type E Ring	Connect type No letter means screw terminal	Lamp color and colored button R Red G Green Y Yellow O Orange B Blue W White	Lamp voltage AC/DC 6V AC/DC 12V AC/DC 24V AC/DC 36V	The crust material S Stainless steel

Lamp Ratings >>

Lamp Type	LED lamp(AC/DC)				Lamp Circuit diagram	 <p>Using AC/DC LED lamp, the terminals have no difference of anode and cathode: Using inner resistance, do not need connect outer resistance.</p>
Rated Voltage	AC/DC6V	AC/DC12V	AC/DC6V	AC/DC12V		
Rated Current	About 15mA					
LED Color	R G Y O B W					
Life	40000 hours(Reference)					

Switching Operation >>

Type	Sign	Diagram	Explanation
X			Using two terminals, double-break and slow-motion contact.