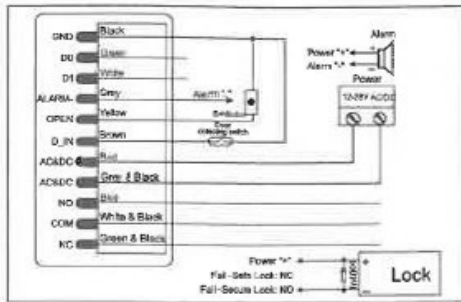
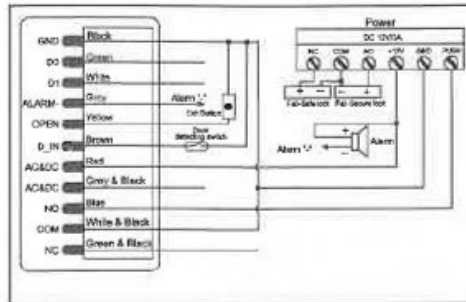


Connection Diagram (SMART-EMHK6)

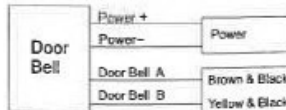
Common Power Supply:



Access Control Power Supply:



Door Bell Connect



Attention:

Install a 1N4004 or equivalent diode is needed when use a common power supply, or the keypad might be damaged. (1N4004 is included in the packing)

Programming

Programming will vary depending on access configuration. Follow the instructions according to your access configuration.

Notes:

- **User ID number:** Assign a user ID to the access card / PIN in order to track it. The common user ID number can be any number from 1-598, the panic user ID is from 599-600. IMPORTANT: User ID is do not have to be proceeded with any leading zeros. Recording of User ID is critical. Modifications to the user require the User ID be available.
- **Proximity Card:** Any 125KHz industry standard 26 bits HID and EM cards and 13.56MHz Mifare card.
- **PIN:** Can be any 4-6 digits except 8888 which is reserved.

Add Common Users

Programming Step	Keystroke Combination
1. Enter Program Mode	* (Master Code) #
Add Card User	
2. Add Card: Using Auto ID (Allows SK5-X/SK6-X to assign Card to next available User ID number)	1 (Read Card) # The cards can be added continuously.
OR	
2. Add Card: Select Specific ID (Allows Master to define a specific User ID to associate the card to)	1 (User ID) # (Read Card) # (User ID is any number from 1-598)
OR	
2. Add Card: by Card Number	1 (Input 8/10 digits Card number) #
OR	

2. Add Card: Block Enrolment (Allows Master to add up to 598 card to the Reader in a single step) Takes 2 minutes to program.	1 (User ID) # (Card quantity) # (The first card number) # Cards' number must be consecutive; Card quantity=number of cards to be enrolled.
Add PIN User	
2. Add PIN: Using Auto ID (Allows SK5-X/SK6-X to assign PIN to next available User ID number)	1 (PIN) # The PINs can be added continuously. (PIN: 4-6 digits)
OR	
2. Add PIN: Select Specific ID (Allows Manager to define a specific User ID to associate the PIN to)	1 (User ID) # (PIN) # The user ID is any number from 1-598
3. Exit	*

Add Panic Users

Programming Step	Keystroke Combination
1. Enter Program Mode	* (Master Code) #
2. Add Card:	1 (User ID) # (Read Card / Input 8/10 digits Card number) #
OR	
2. Add PIN:	1 (User ID) # (PIN) # (User ID is any number from 599-600)
3. Exit	*

Change PIN Users

Programming Step	Keystroke Combination
Note: Below is done outside programming mode, users can undertake this themselves	
1. Change PIN: By Card (There will auto allocate PIN(8888) to cards when adding)	* (Read Card) (Old PIN) # (New PIN) # (Repeat New PIN) #
2. Change PIN: By PIN	* (User ID) # (Old PIN) # (New PIN) # (Repeat New PIN) #
3. Exit	*

Simplified Instruction	
Function Description	Operation
Enter the Programming Mode	* - 123456 - # then you can do the programming (123456 is the factory default master code)
Change the Master Code	0 - New Code - # - Repeat the New Code - # (code: 6 digits)
Add Card User	1 - Read Card - # (can add Card continuously)
Add PIN User	1 - PIN - # (PIN Length: 4-6 digits)
Delete User	2 - Read Card - # for Card user 2 - PIN - # for PIN user
Exit From the Programming Mode	*
How to be granted access	
Card User	Read card
PIN User	Input PIN #

Delete Users

Programming Step	Keystroke Combination
1. Enter Program Mode	* (Master Code) #
Delete Common Card User	
2. Delete Card - By Card	2 (Read Card) # The cards can be deleted continuously.
OR	
2. Delete Card - By ID number	2 (User ID) #
OR	
2. Delete User - By Card number	2 (Input 8/10 digits Card number) #
Delete Common PIN User	
2. Delete PIN - By PIN	2 (Input PIN) #
OR	
2. Delete PIN - By ID number	2 (User ID) #
Delete Panic User	
2. Delete Panic Card User	2 (User ID) #
OR	
2. Delete Panic PIN User	2 (User ID) #
Delete All Users	
2. Delete All Users	2 (Master Code) #
3. Exit	*

Set Relay Configuration

The relay configuration sets the behaviour of the output relay on activation.

Programming Step	Keystroke Combination
1. Enter Program Mode	* (Master Code) #
2. Pulse Mode	3 (1-99) # (factory default) The relay time is 1-99 seconds. (1 is 50ms) (Default is 5 seconds)
OR	
2. Toggle Mode	3 0 # Sets the relay to ON/OFF Toggle mode
3. Exit	*

Set Access Mode

For Multi cards/ PINs access mode, the interval time of reading cards/inputting PINs can not exceed 5 seconds, or else, the device will exit to standby automatically.

Programming Step	Keystroke Combination
1. Enter Program Mode	* (Master Code) #

2. Card access	4 0 #
OR	
2. Card+PIN access	4 1 #
OR	
2. Card or PIN access	4 2 # (Factory default)
OR	
2. Multi cards/PINs access	4 3 (2-9) # (Only after reading 2-9 cards or PINs, the door can be opened)
3. Exit	*

Door Detecting

Door Open Too Long (DOTL) warning: When used with an optional magnetic contact or built-in magnetic contact of the lock, if the door is opened normally, but not closed after 1 minute, the inside buzzer will beep automatically to remind people to close the door and continue for 1 minute before switching off automatically.

Door Forced Open warning: When used with an optional magnetic contact or built-in magnetic contact of the lock, if the door is opened by force, or if the door is opened after 60 seconds of the electro-mechanical lock not closed properly, the inside buzzer and alarm output will both operate. Enter Master code # or valid user card /PIN to silence.

Programming Step	Keystroke Combination
1. Enter Program Mode	* (Master Code) #
2. To disable door open detection	5 0 # (factory default)
OR	
2. To enable door open detection	5 1 #
3. Exit	*

Set Strike-out Alarm

The strike-out alarm will engage after 10 failed card/PIN attempts (Factory default is OFF). It can be set to deny access for 10 minutes after engaging or disengage only after entering a valid card/PIN or Master code.

Programming Step	Keystroke Combination
1. Enter Program Mode	* (Master Code) #

2. Strike-Out OFF	6 0 # (factory default)
OR	
2. Strike-Out ON	6 1 # Access will be denied for 10 minutes
OR	
2. Strike-Out ON (Alarm)	6 2 #
3. Exit	*

Set Audible and Visual Response

Programming Step	Keystroke Combination
1. Enter Program Mode	* (Master Code) #
2. Control Sounds	OFF = 7 0 # ON = 7 1 #
OR	
2. Control LED	OFF = 7 2 # ON = 7 3 #
OR	
2. Control Keypad Backlit	OFF = 7 4 # ON = 7 5 # (factory defaults are ON)
3. Exit	*

Master Cards Usage

Using Master Cards to add and delete card / PIN users	
Add a User	1. (Read Master Add Card) 2. (Read User Card) Repeat Step 2 for additional user cards 3. (Read Master Add Card)
Delete a User	1. (Read Master Delete Card) 2. (Read User Card) Repeat Step 2 for additional user cards 3. (Read Master Delete Card)

Users Operation & Reset to Factory Default

- Open the door: Read valid user card or inputting valid user PIN

- Remove Alarm: Read valid user card or inputting valid user PIN, or input Master Code

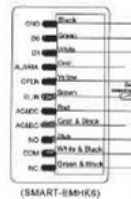
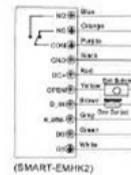
- To reset to factory default: power off, press the exit button, hold and click on, there will be two beeps, and the LED light turns into red. Press the exit button, then read any two cards (can be 125KHz or EMV card, 125KHz HID card or 13.56MHz Mifare card, the LED will turn into red, means reset to factory default successfully. Of the two cards reading, the 1st one is Master Add Card, the 2nd one is the Master Delete Card.

Remarks:

- If no Master Cards added, 10 seconds before release
- Reset to factory default, if

CONTROLLER MODE!
The device can work as Controller. (Factory default mode)

Connection Diagram



Attention: Install a 1N4004 or a common power supply, or the 1N4004 is included in the pack

isaacj 3:14 PM Reply X

isaacj
3:14 PM

Light flashes Red not yellow