

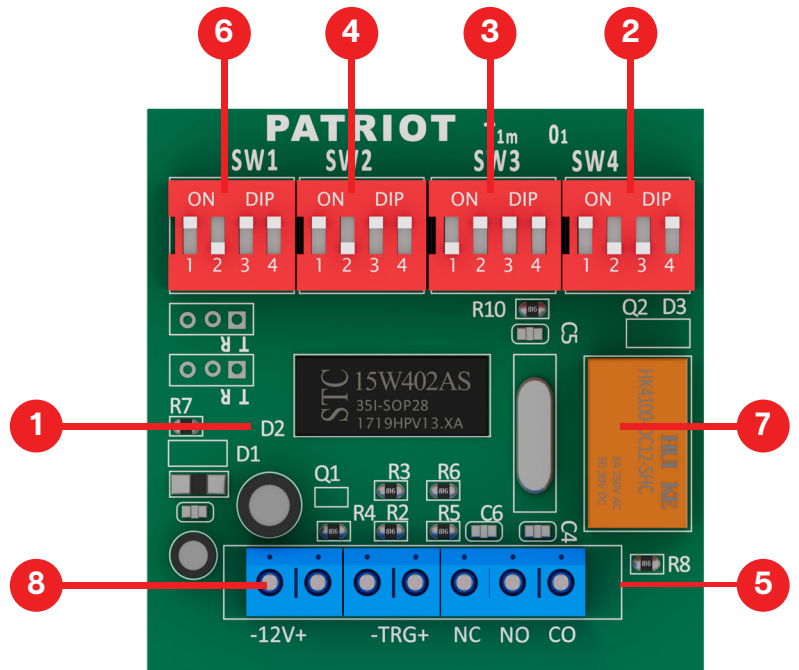
# Digital Timer Board

## TIM 01

This device is designed to provide 8 field-programmable functions, offering unparalleled control and flexibility. It operates a single-pole, double-throw (SPDT) relay, with adjustable timing intervals ranging from 1 second to an impressive 99 days. Ideal for a wide range of applications, this controller ensures precise timing and reliable operation to meet the most demanding automation requirements.

### Layout

1. Power LED
2. SW4 - "Ones" DIP switches
3. SW3 - "Tens" DIP switches
4. SW2 - "Timing" DIP switches
5. Relay operation LED
6. SW1 - "Mode" DIP switches
7. Output relay
8. Terminal block



### Specifications

- Model: TIM 01  
 Input voltage: 12VDC - 13.8VDC  
 Standby current: 15mA @ 12VDC  
 Operation current: 35mA @ 12VDC  
 Relay rating: 3A @ 250V AC / 30V DC  
 Size: 50 x 50 mm

